

VE2P, VE4P VE5P
Holden VE–VF Commodore

P PREMIUM LID

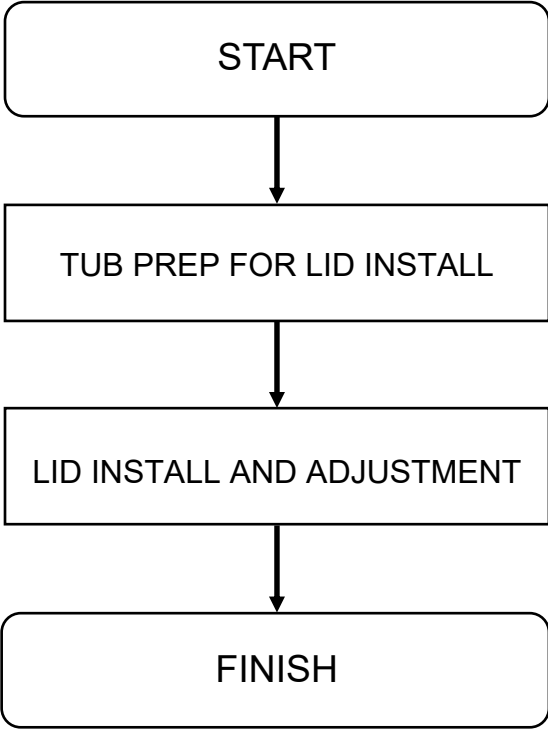
VE2P-VE4P-VE5P-VE6P	LID		
PART DISCRIPTION	PART NUMBER	QUANTITY/LENGTH	CHECK
LID FRONT HINGES	1135	2	
LID TUB MOUNTS WITH PINS	1136b	2	
GAS STRUTS	S700-220	2	
STRUT LID MOUNTS	1041	2	
M8 U BOLT	UB	2	
LOCK STRICKER BRACKETS	1190	2	
LID NUTS AND BOLTS			
M8 BOLTS	25	8	
M8 WASHER (3MM THICK)	24	8	
SELF DRILL SCREWS	19	10	
M8 NUTS	23	8	
M8 STRUT BALL STUDS	29	2	
M8 WASHERS	21	2	
M6 20mm	16	6	
M6 Washer	12	6	
OTHER			
T SHAPE SEAL	LID-SEAL-03	500MM X 2	
ALCOHOL WIPES		1	
FITTING INSTRUCTIONS MANUAL		1	

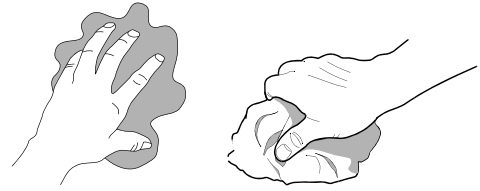
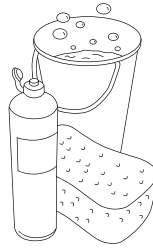
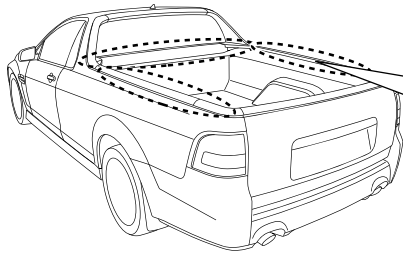
Fitting Instructions Part Numbers VE2P, VE4P Holden VE-VF Commodore 2006+

Check contents of kit before commencing fitment and report any discrepancies

IMPORTANT	<ul style="list-style-type: none"> • Do not stand/sit or rest heavy objects on Tonneau Cover • Humans or animals are not to be under the closed Tonneau at any given time • Securely lock tonneau Cover before operating vehicle • Tonneau Cover is not dust or water tight • Do not carry open volatile chemicals with Tonneau Cover installed • If contact with volatile chemicals occur, clean Tonneau with mild detergent and water solution 			
Care Instructions	<ul style="list-style-type: none"> • Read Instructions fully before commencing installation. • Clean Tonneau Cover with a mild detergent and water solution • Do not use abrasive cleaners or solvents • Refer to manufactures instructions applicable to power drill. • Protect Tub floor against scratches during installation process. 			
Maintenance	If lubrication of the locks or hinges is required use only Graphite Powder. DO NOT use any other lubricants or oils.			
Tools Required	<table style="width: 100%; border: none;"> <tr> <td style="vertical-align: top;"> <ul style="list-style-type: none"> • Pen / Marker • Centre Punch • Drill & Drill bits • Phillips head screwdriver • Caulking Gun • Silicon - Non Acetic </td> <td style="vertical-align: top;"> <ul style="list-style-type: none"> • Die Grinder & multi tool • Masking Tape • Scissors & Knife • Ruler • Spanner & Socket • Tape measure </td> <td style="vertical-align: top;"> <ul style="list-style-type: none"> • Soapy water solution • Allen Key set (Metric) </td> </tr> </table>	<ul style="list-style-type: none"> • Pen / Marker • Centre Punch • Drill & Drill bits • Phillips head screwdriver • Caulking Gun • Silicon - Non Acetic 	<ul style="list-style-type: none"> • Die Grinder & multi tool • Masking Tape • Scissors & Knife • Ruler • Spanner & Socket • Tape measure 	<ul style="list-style-type: none"> • Soapy water solution • Allen Key set (Metric)
<ul style="list-style-type: none"> • Pen / Marker • Centre Punch • Drill & Drill bits • Phillips head screwdriver • Caulking Gun • Silicon - Non Acetic 	<ul style="list-style-type: none"> • Die Grinder & multi tool • Masking Tape • Scissors & Knife • Ruler • Spanner & Socket • Tape measure 	<ul style="list-style-type: none"> • Soapy water solution • Allen Key set (Metric) 		

Installation Steps Flow Chart



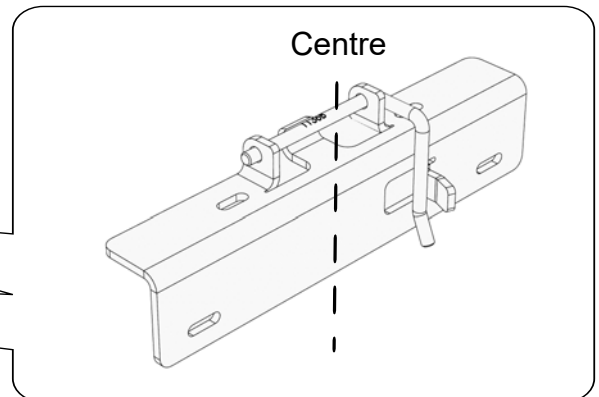
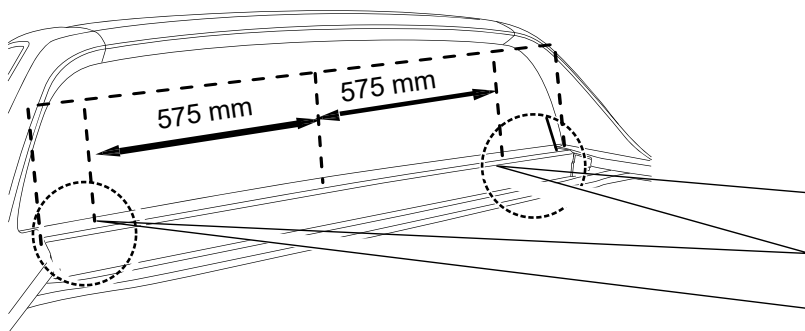
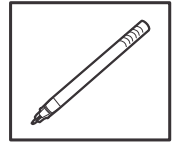
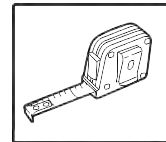


CAUTION:

Over tightening fasteners attached to the Hard Tonneau cover may damage the threaded inserts. Please use recommended tightening torques where specified.

Recommended:

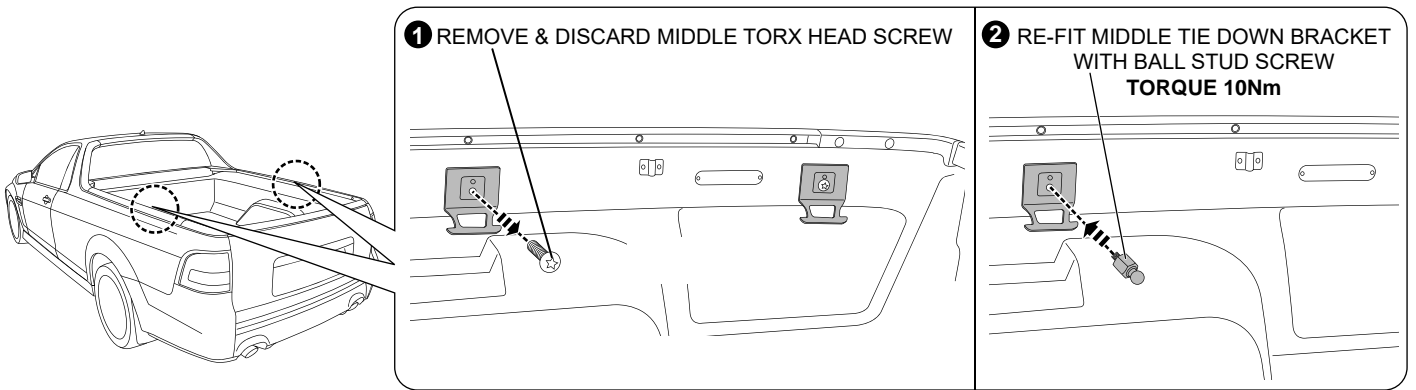
You should leave the protective plastic film on the lid, peel back the protective plastic film 100 mm from around all edges. Remove the remaining protective plastic film only at completion of installation.



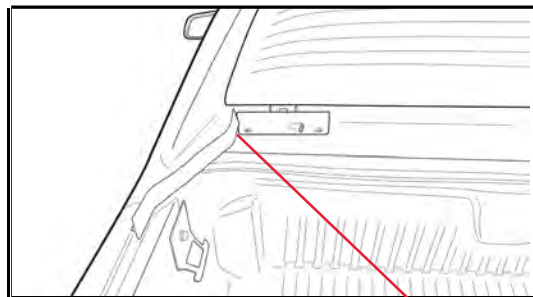
Hinge mounts:

Align the hinge mounts along front of tray, ensuring the hinges are properly positioned from centre of tub **575 mm** to centre of hinge mount either side along the inside of the front of tub. Attach the hinges using self-drilling screws (supplied) through holes pre-drilled into the hinges. Apply clear or black silicone to any gaps and between the hinges and the vehicle to prevent water entry.

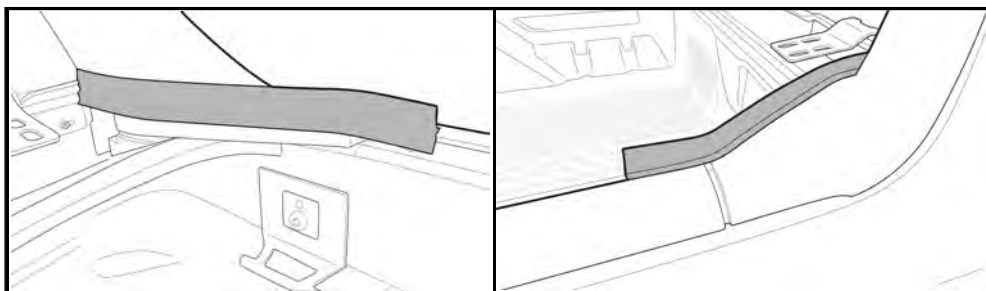
2. Remove existing bolt from middle Tie down bracket, replace with supplied Gas Strut Ball bolt. **Repeat** for the other side



3. Fit the shaft end of the gas strut onto the ball on the ball plate. A “**CLICK**” will be heard when the strut is seated correctly. Allow the other end of the strut to lay on the wheelhouse. **Repeat** for the other side.



Apply silicon to the indicated corner of the tub to prevent water leaks. Repeat for opposite side.



T- Seal to run along the corner sail plane on each side

6. Fitting the Hinges:

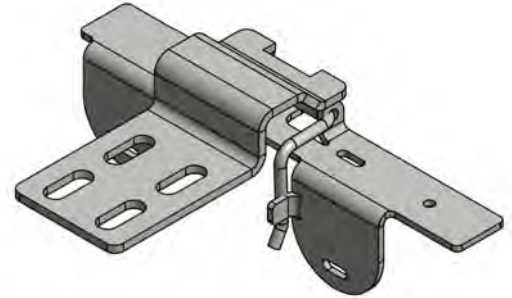
Place hinges in front bar slots and secure hinges with hinge pin (as shown below)

With the aid of an assistant place lid on the car with **Tailgate Down**.

NOTE: Take care not to damage Hard Tonneau or vehicle.

From inside the tub, place hinge support followed by the 8 washers and bolts (Supplied) into holes and hand tighten.

Check each side of the lid to make sure that there is the same clearance between the lid and the tub. Tighten the 8 bolts to the specified torque. With the assistance of one other person holding the lid open connect the gas struts to the lid gas strut mounts.



7. ADJUSTMENTS.

If adjustment is required gently open the Tonneau and disconnect the gas struts from the Tonneau by inserting a small screwdriver under the spring clip on the strut end and pries the clip outward without removing. Remove the strut.

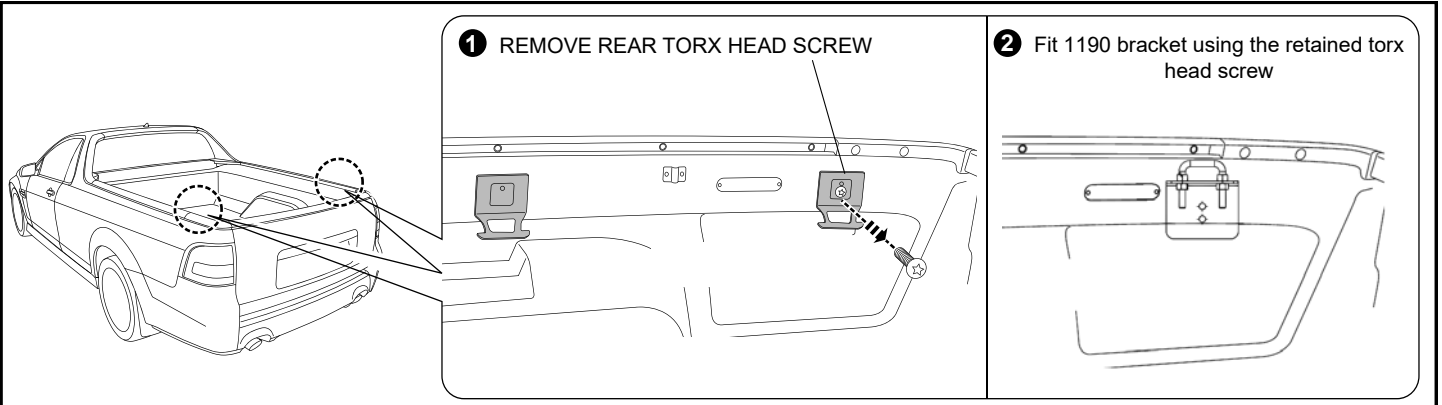
For angular alignment correction; loosen the screw attaching each hinge to the Tonneau with a 5mm Allen Key. Open the Tailgate and have an assistant lie in the tray on their back with the Allen Key. Close the Tonneau and maneuver it into the correct position. When each side and rear is correctly aligned, have the assistant tighten the hinge screws to the specific torque. Open the Tonneau and reconnect the gas struts.

Paint care instructions:

Your new painted Hard Tonneau Cover has been covered with a plastic film to protect the paint from damage. It will require cleaning and possibly light polishing after the protective film has been removed. Use polish as per new paint on a new vehicle. Wash Hard Tonneau Cover using water and normal carwash detergent and polish with an automotive polish.

NOTE: Please ensure Lid is kept locked at all times when not being used, for both safety and longevity.

Having trouble? Call your Supplier.



With the Hard Tonneau Cover opened, attach the cylinder end of each gas strut onto the mounting brackets attached to the Hard Tonneau Cover by clicking into place
Refer to Fig. 9

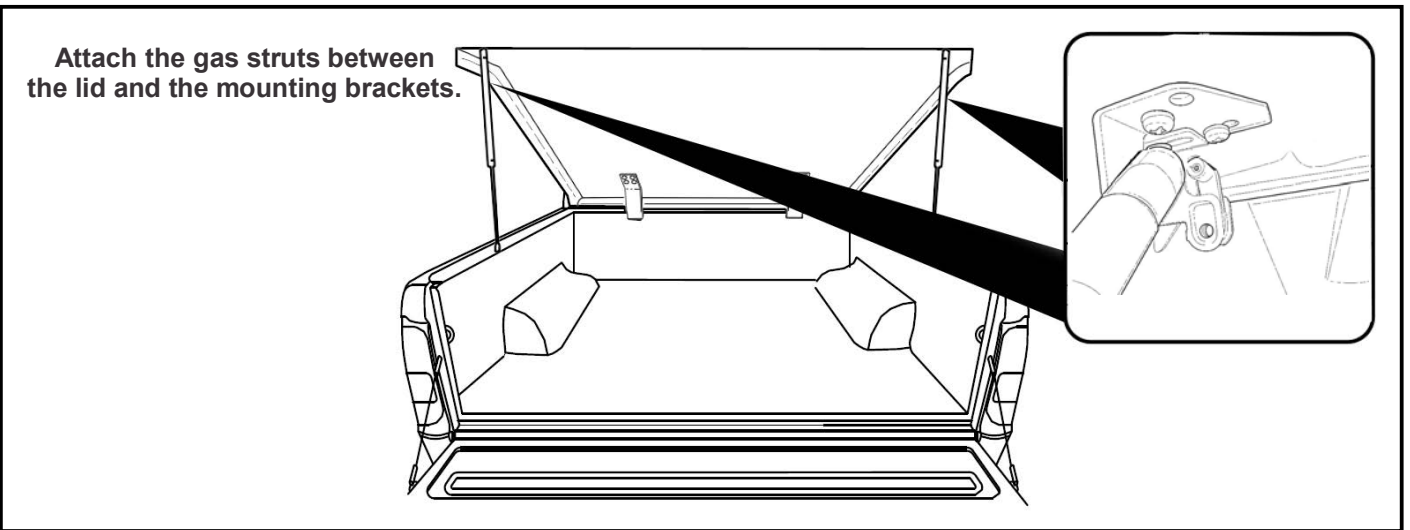
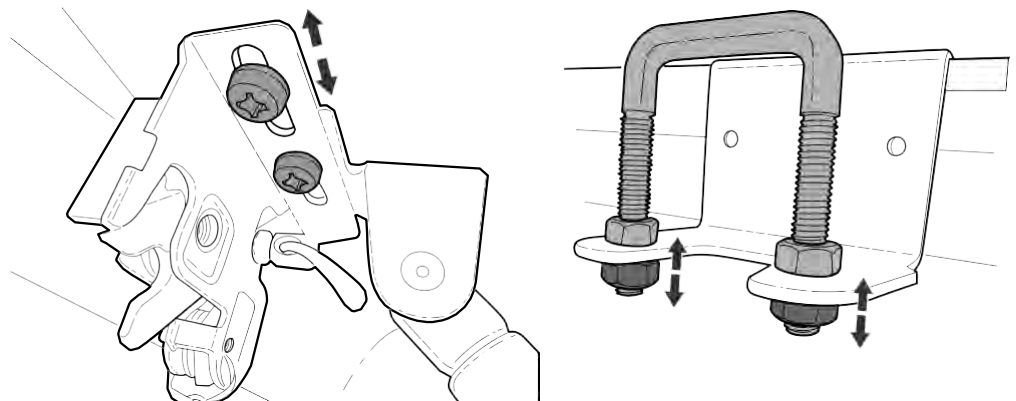


Fig. 9 - Attach gas strut

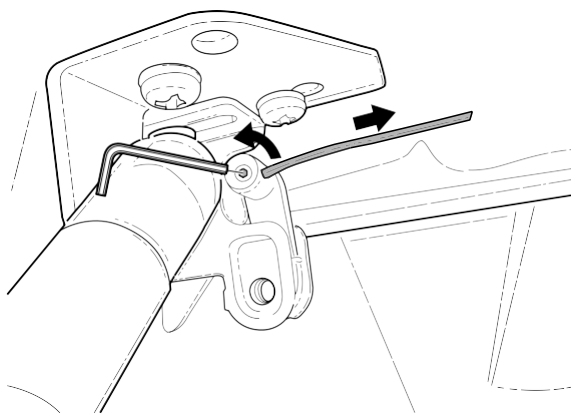
Loosen 2 screws and slide catch to align correctly with latch bar. Tighten screws to secure in place.

Adjust nuts on latch bar to alter height of bar to suit.

Repeat for the opposite side.



Use an Allen key to loosen the hex key screw on the catch and tension cable so it is tight but doesn't move the catch at all, then re-tighten the hex key screw.



Cut off excess cable making sure to leave 20mm from locking allen key bolt.

