



[www.Hsputelids.com](http://www.Hsputelids.com)  
1300 441 498  
Part No: DM12 Fitting  
Time: 30 mins



**ISUZU DMAX (MY21) 07/2020 +**

HSP TAIL ASSIST

---

FITTING INSTRUCTIONS

## —GENERAL NOTES

---

- Read through the fitting instructions prior to installation of accessory.
- Ensure all recyclable components and packaging are discarded and recycled following local recycling regulations.
- Safely store and protect any removed vehicle components.

## —SAFETY NOTES

---

- Check that all work practices comply with safety standards.
- Please wear appropriate clothing and use safety equipment.

## —FITTING TIME

---



30 mins

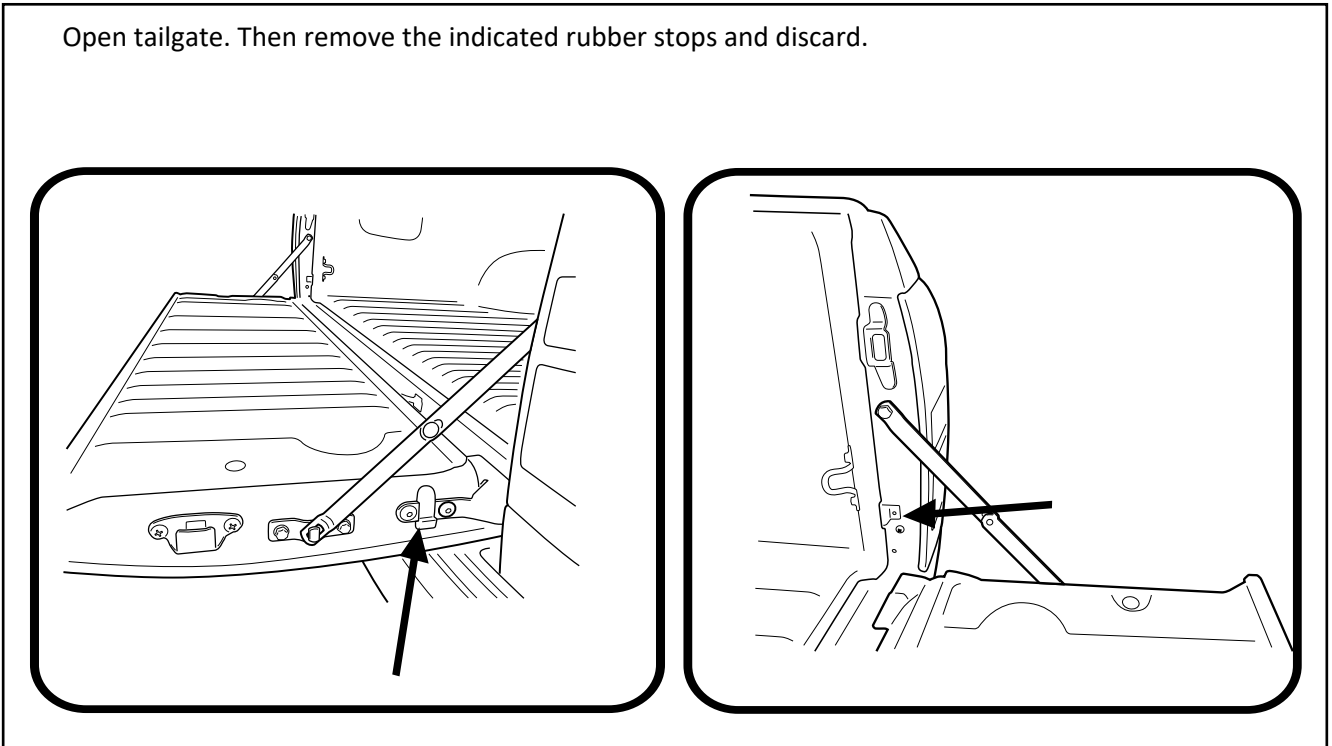
## —PARTS SUPPLIED

---

<b>PART NUMBER</b>	<b>PART DESCRIPTION</b>	<b>QUANTITY</b>	<b>CHECK</b>
KSD-SPEC-2	Dampener strut	1	
TRS-SPEC-2	Traction Strut	1	
TA-10RH	Tailgate mount R/H	1	
TA-10LH	Tailgate mount L/H	1	
TA-15	M8 Shoulder bolt- tub mount	2	
TA-16	Strut locking bolt	2	
CB1	TAILGATE CABLE	2	
	<b>OTHER</b>		
	Alcahole whipe	1	
T882	Cable stop	2	

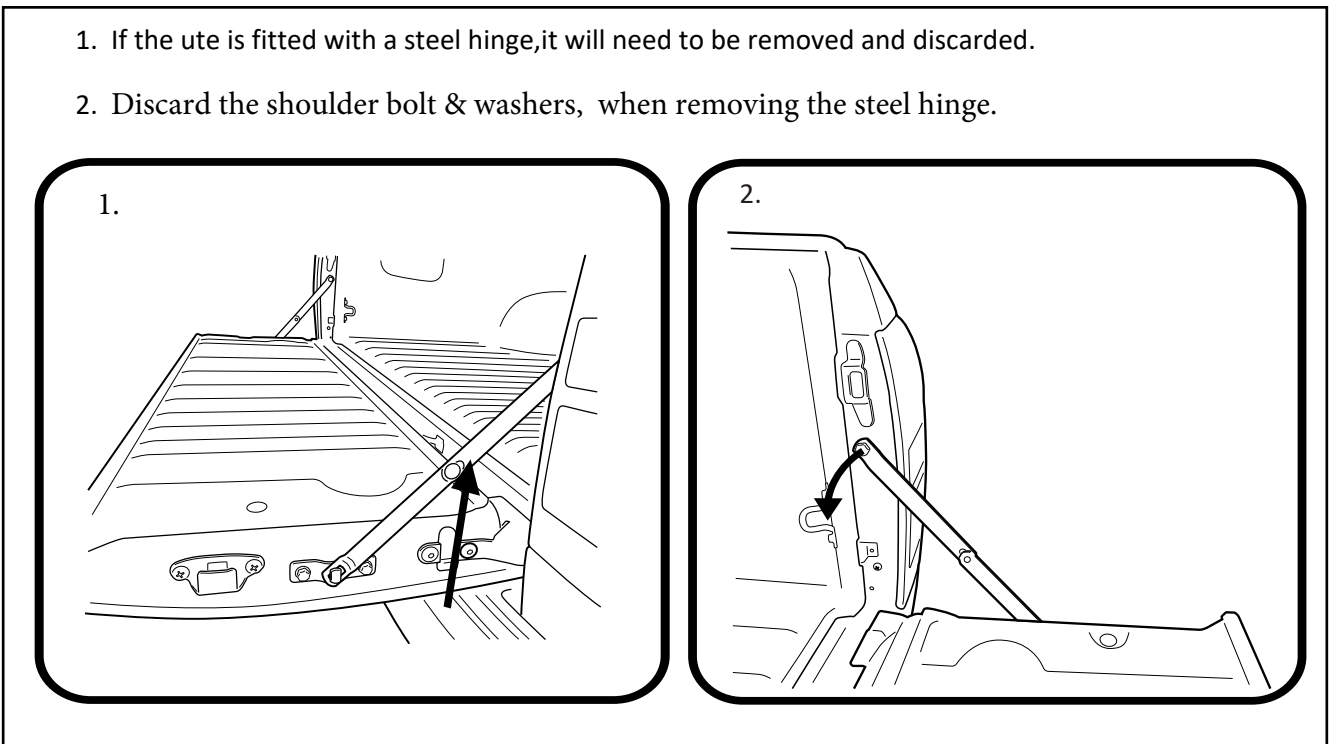
—STEP 1—

Open tailgate. Then remove the indicated rubber stops and discard.



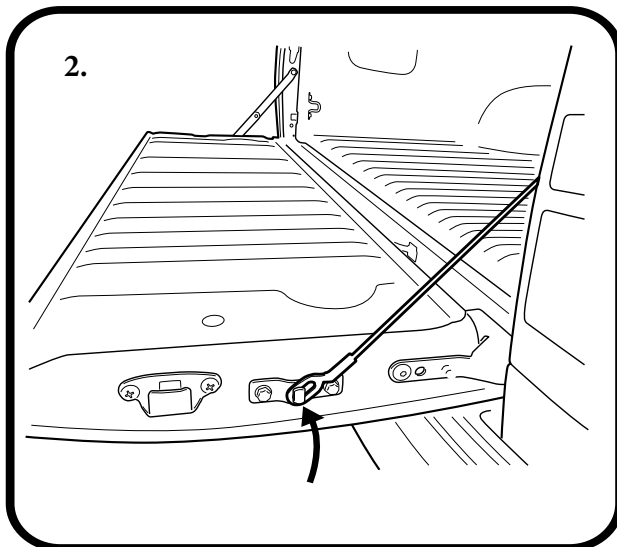
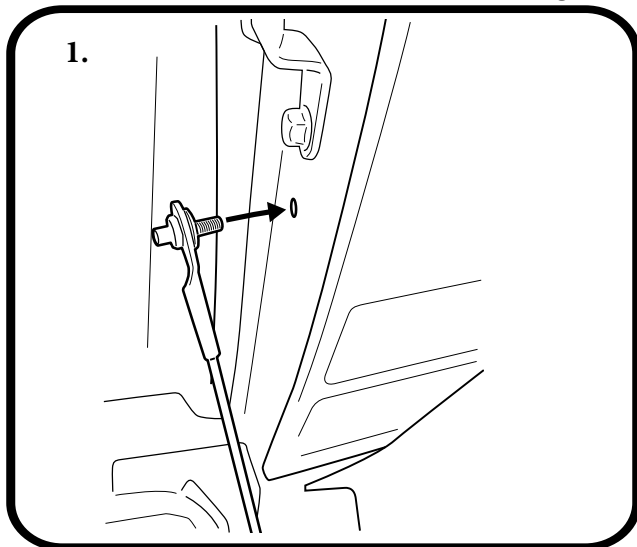
—STEP 2—

1. If the ute is fitted with a steel hinge, it will need to be removed and discarded.
2. Discard the shoulder bolt & washers, when removing the steel hinge.



### — STEP 3 —

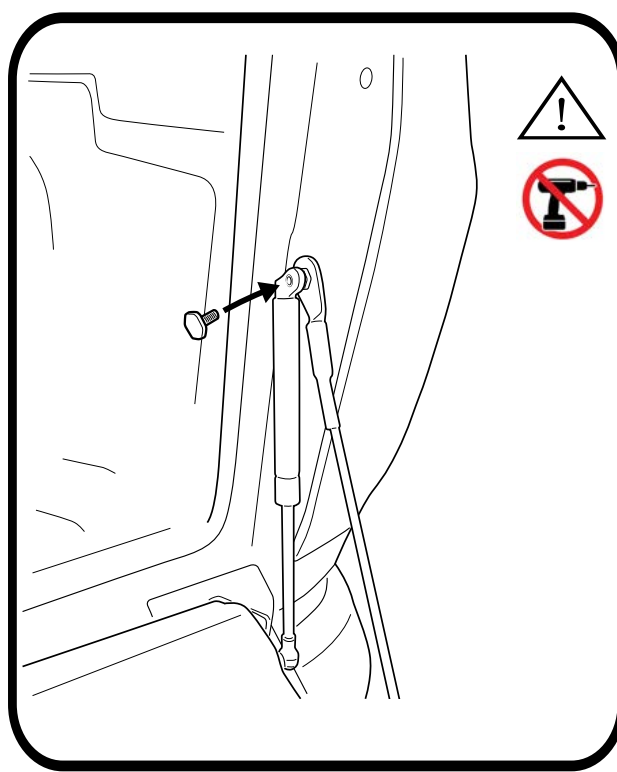
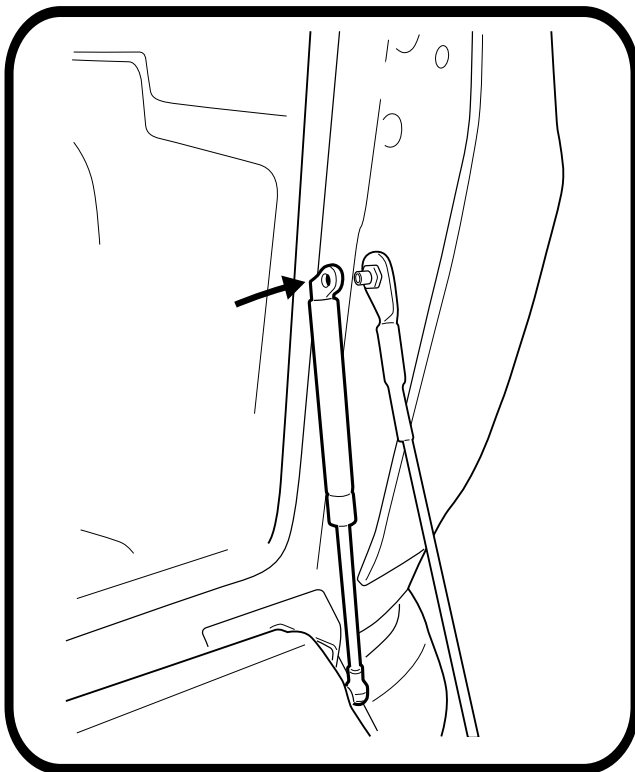
1. Feed part number (TA-15) M8 shoulder bolt trough strap (Cb1) . Now fasten to same location to where the steel bracket shoulder bolt came out of.
2. Hook the slotted end of the cable to the tailgate bracket as indicated.



Now repeat the step on the passenger side.

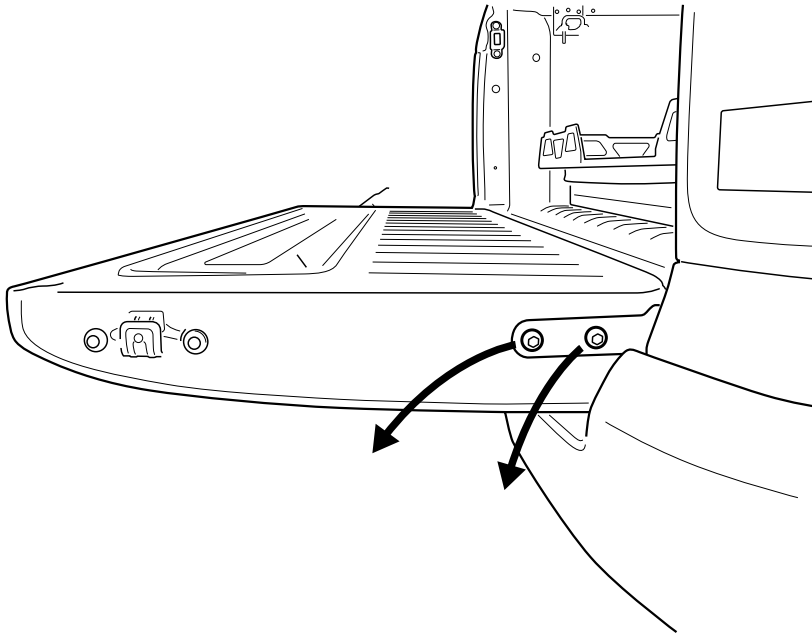
### — STEP 4 —

Fit dampening strut, part number KSD-spec-2 cylinder end to the Shoulder of (TA-15) followed by strut locking bolt ( TA-16) . **NOTE:** TA-16 Should be tighten to 2nm torque, **Do not use power tools** for this step. ( small amount of Loctite is recommended)



—STEP 5—

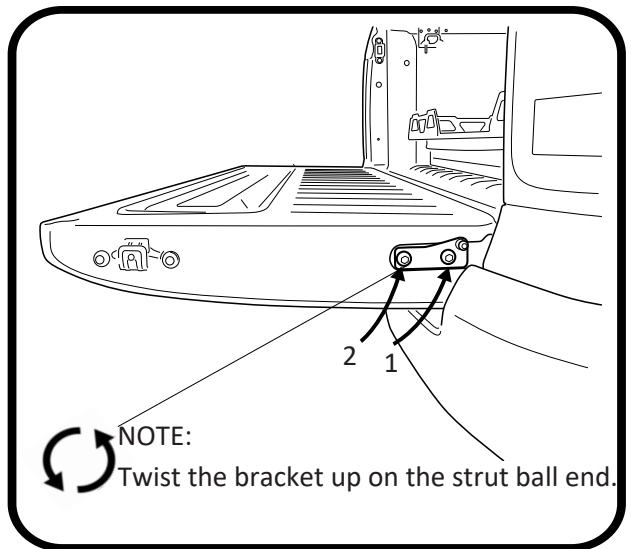
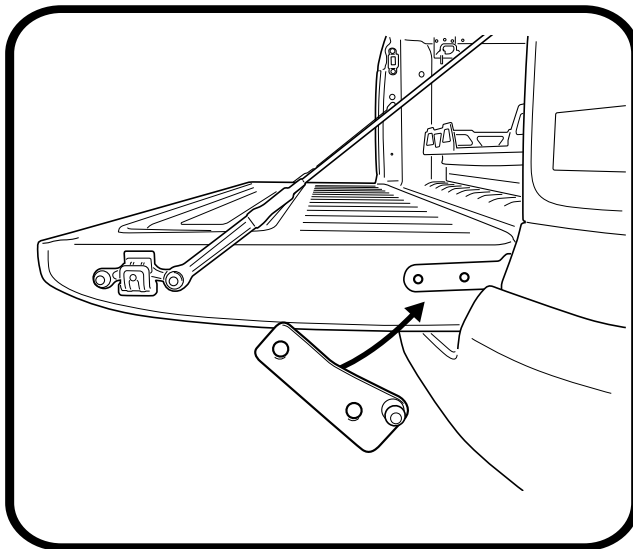
Remove indicated bolts, and retain.



**NOTE:** Care must be taken not to loose alignment of the tailgate.

—STEP 6—

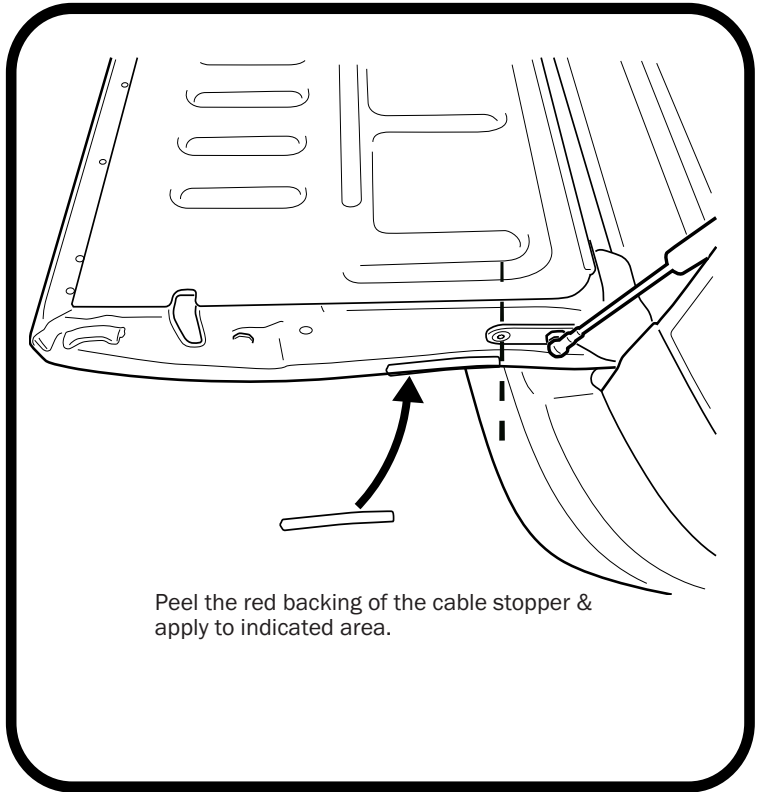
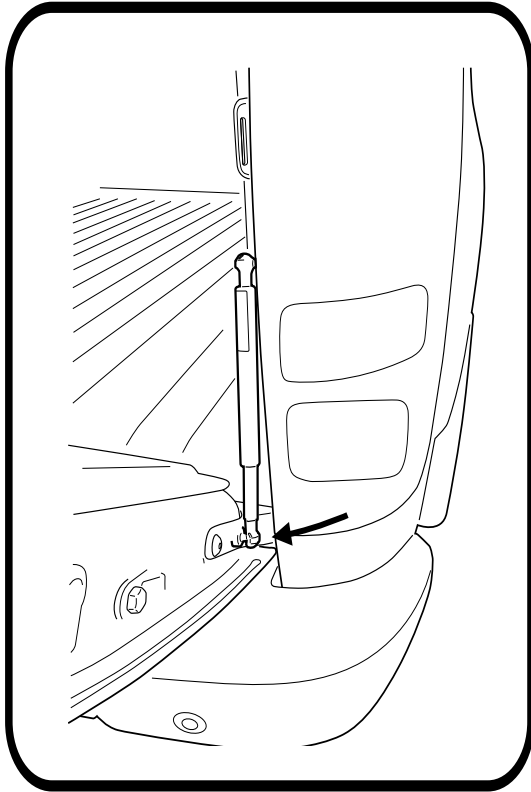
Place bracket TA-10RH over the tailgate hinge and fasten with retained factory bolt to location 1 & 2.



**NOTE:** Twist the bracket up on the strut ball end.

## —STEP 7—

Now fit the shaft end of the strut to the stud ball on the tailgate.



## —STEP 8—

Now repeat all the above steps on the drivers side.  
NOTE: The passenger side Strut ( part number TRS) has a spacer  
which will need removing once installed.

