



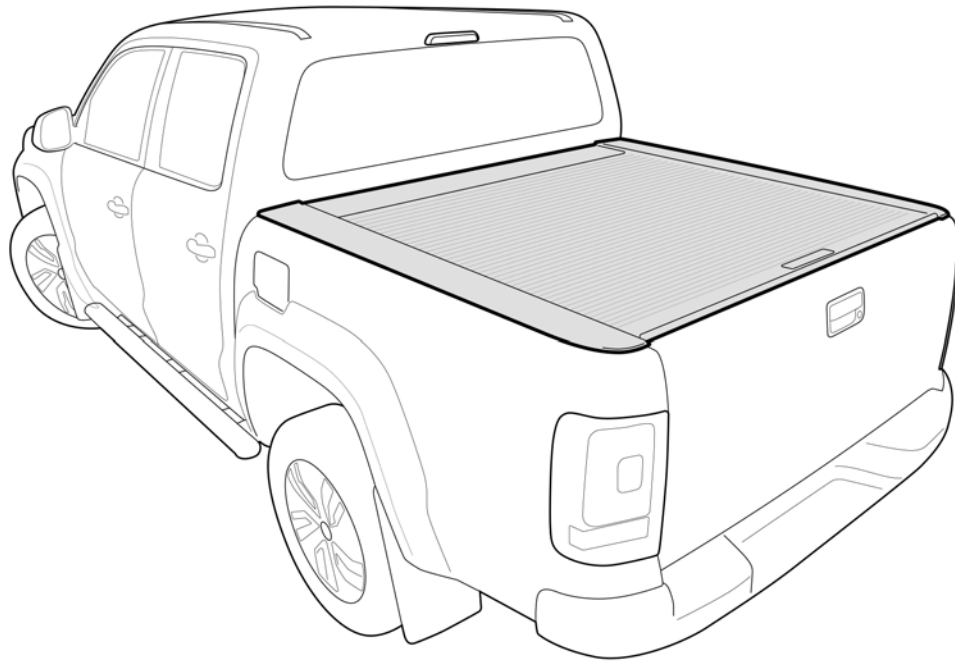
[WWW.HSPUTELIDS.COM](http://WWW.HSPUTELIDS.COM)

Part No: A4R

Fitting Time: 180 minutes

**ROLL-R-COVER**

To suit Volkswagen Amarok Dual Cab



Roll-R-Cover  

---

Fitting Instructions

## – General Notes

- Read through the fitting instructions before installation of accessory.
- Always install the Roll R Cover Wiring Kit following the workshop manual and fitting instructions provided. Failure to do so may cause damage to the vehicle or the accessory.
- Ensure all recyclable components and packaging are discarded and recycled following local recycling regulations.
- It is always recommended that the Roll R Cover Wiring Kit is fitted by a qualified automotive technician.
- Safely store and protect any removed vehicle components.

## – Safety Notes

- Check that all work practices comply with safety standards.
- Please wear appropriate clothing and use safety equipment.



## – Fitting Time



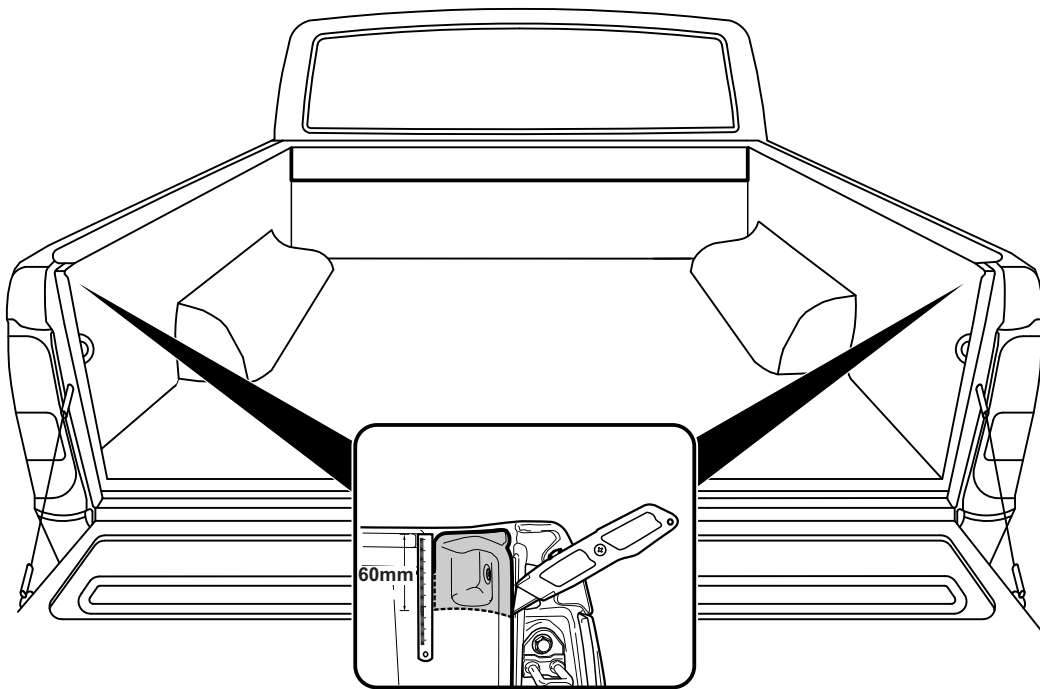
180 minutes

## – Parts Supplied

A4R		DUAL CAB VOLKSWAGEN AMAROK - ROLL R COVER		
PART DESCRIPTION	PART NUMBER	QUANTITY/LENGTH	CHECK	
A4R FITTING INSTRUCTIONS	355*	1		
LUBRICANT PUMP SPRAY	47*	1		
REMOTE	215*	2		
PRIMER STICK	44*	1		
CABLE TIE 4.8X300MM	217*	10		
ROLL R LOOM	216*	1		
A4R CANISTER AND CURTAIN	264*	1		
A4R RAIL RIGHTHAND	280*	1		
A4R RAIL LEFTHAND	351*	1		
HOSE 600MM	11*	4		
COMPLETE CANISTER COVER	396	1		
OPERATION LEAFLET	66	1		
MAINTENANCE LEAFLET	67	1		
ADJUSTMENT PLATES	31	2		
BLACK PUTTY	3*	8		

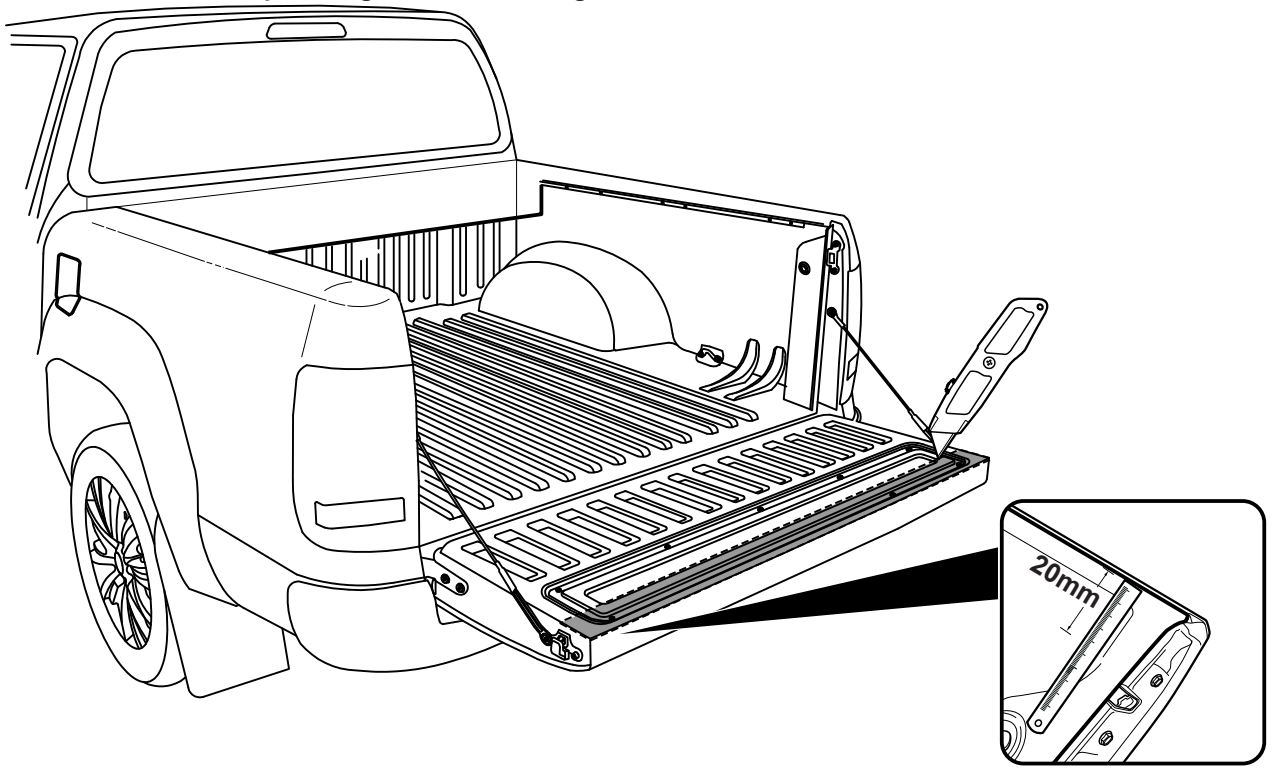
— Step 1 —

Measure 60mm from top of tub and trim liner.



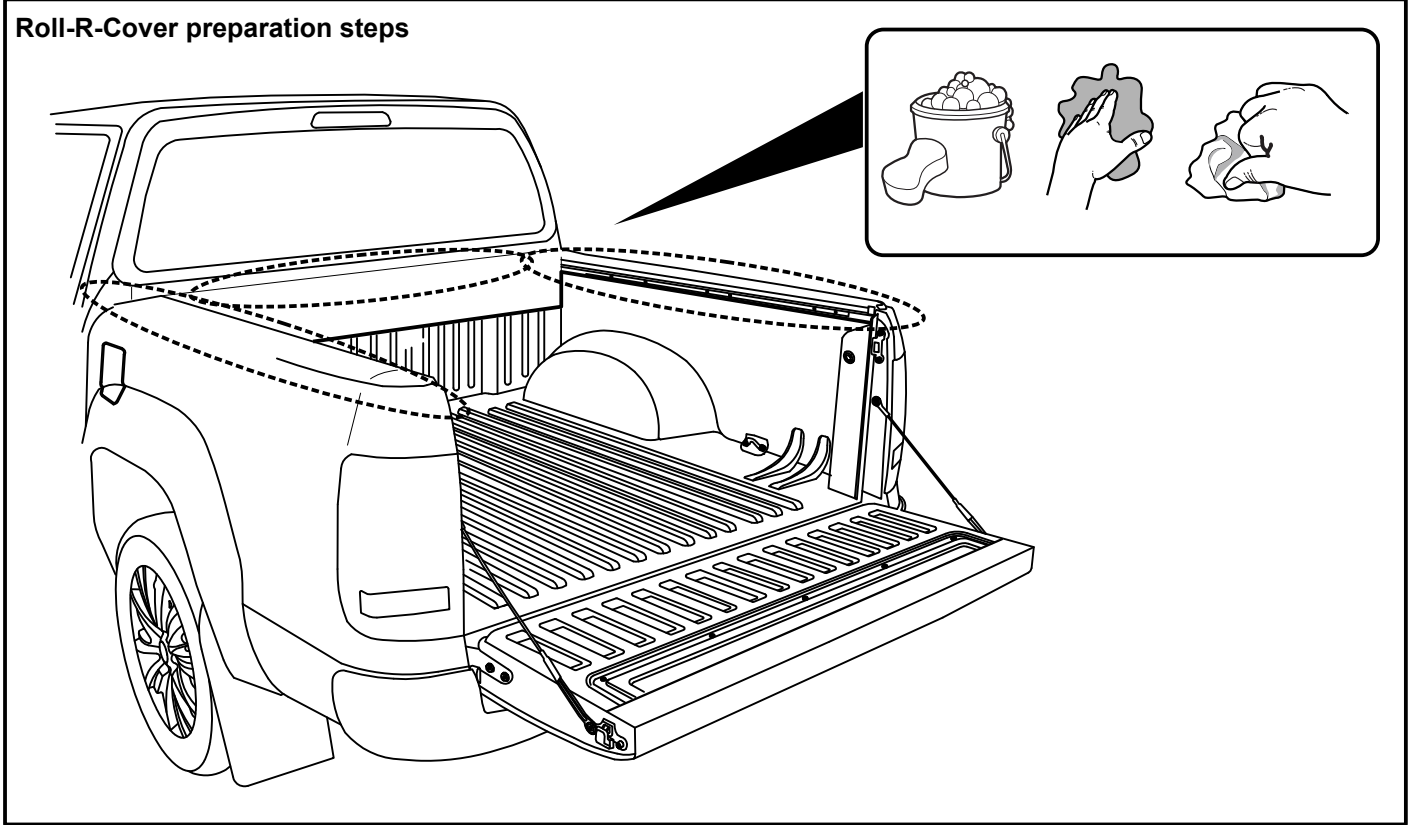
— Step 2 —

Measure 20mm down from top of tailgate and trim tailgate liner.



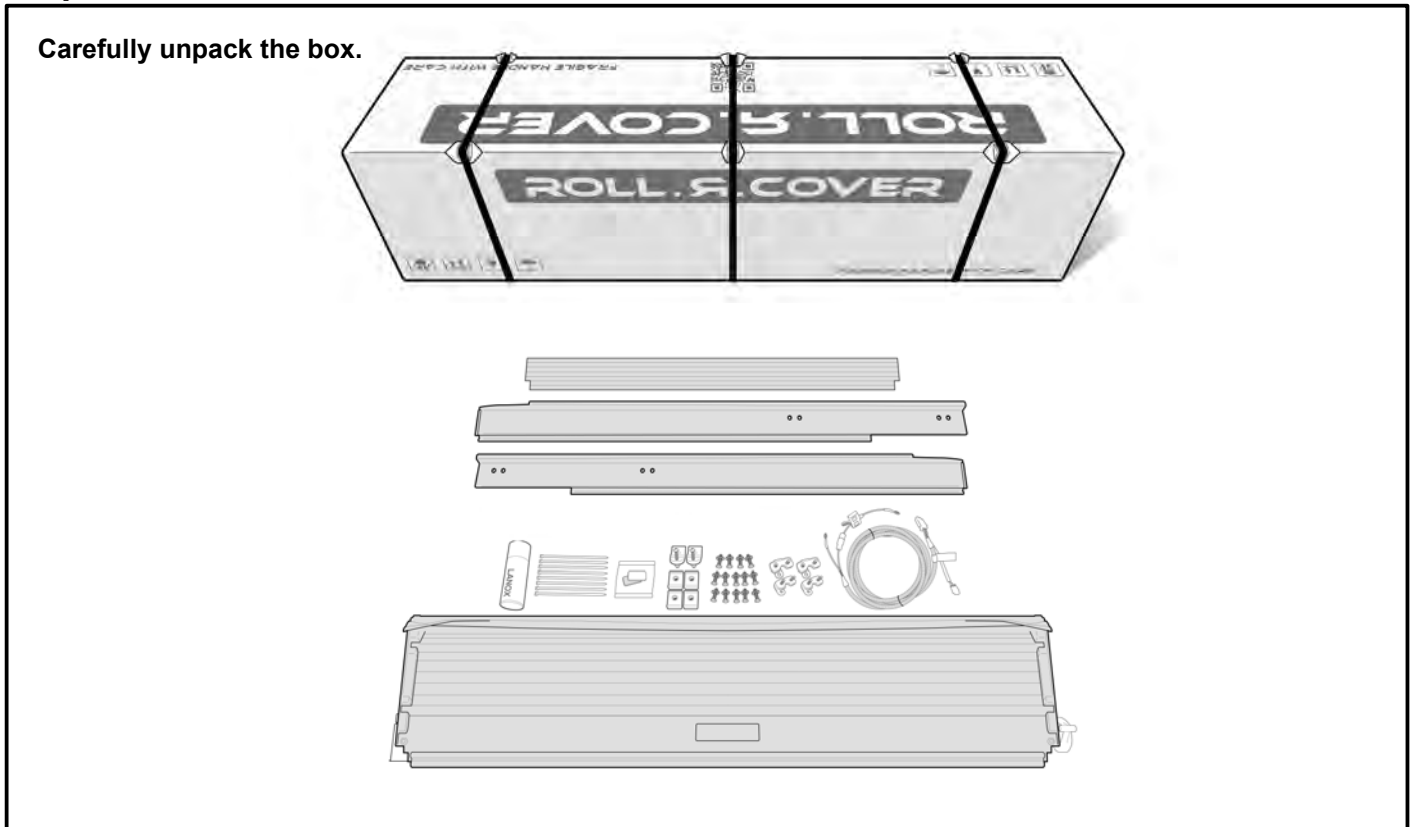
### Step 3

#### Roll-R-Cover preparation steps



### Step 4

Carefully unpack the box.



– Step 5

**Wiring Harness steps**

**1** Feed through the cavity

**3**

**2**

**216**

Run the wiring from the front corner cavity to the battery over the chassis rail. Making sure to keep away from hot obstructions and cable tie every 400mm.

– Step 6

Remove M8 Bolt & M8 Spring Washer

**264**

**280/351** LHS & RHS

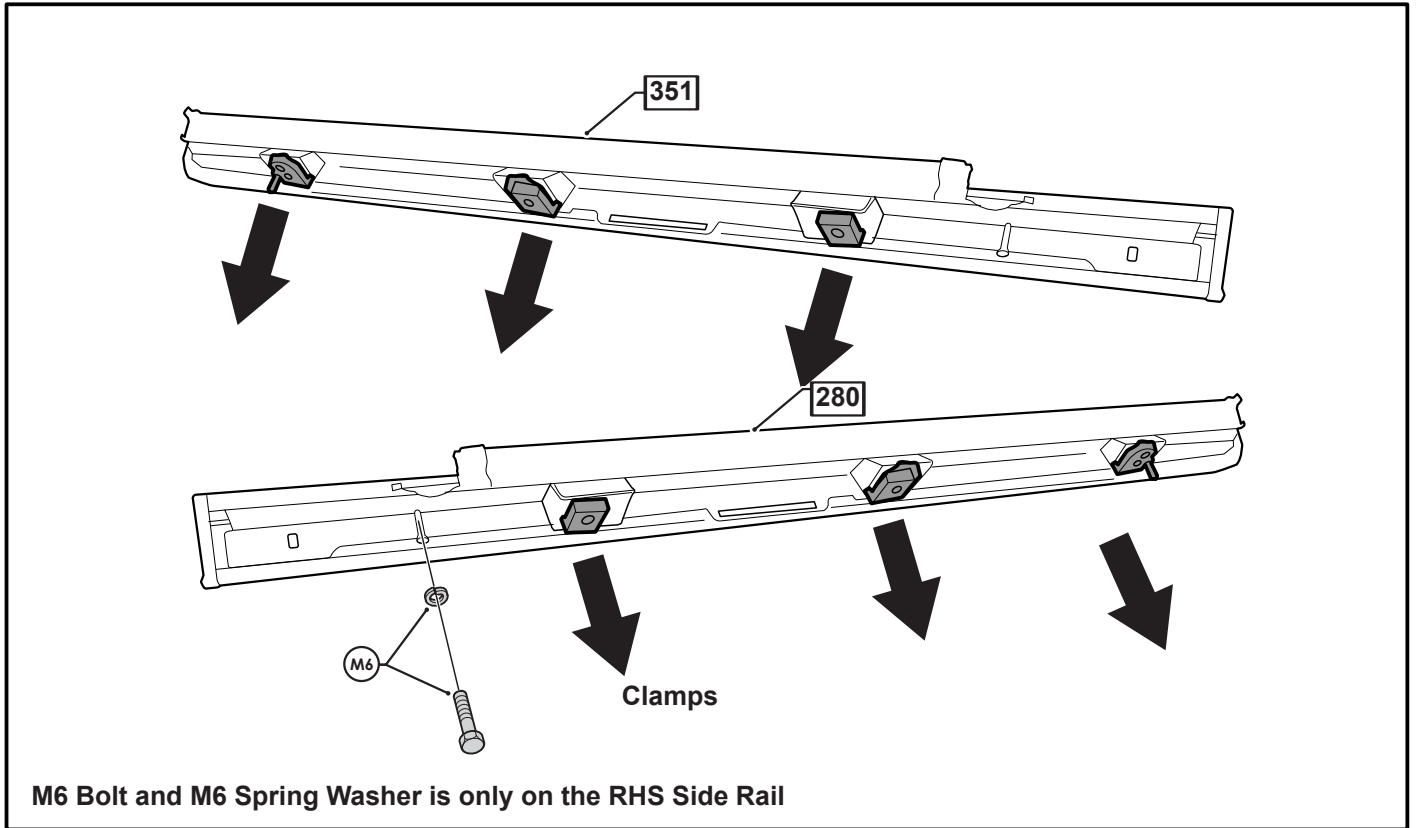
**M8**

**M8**

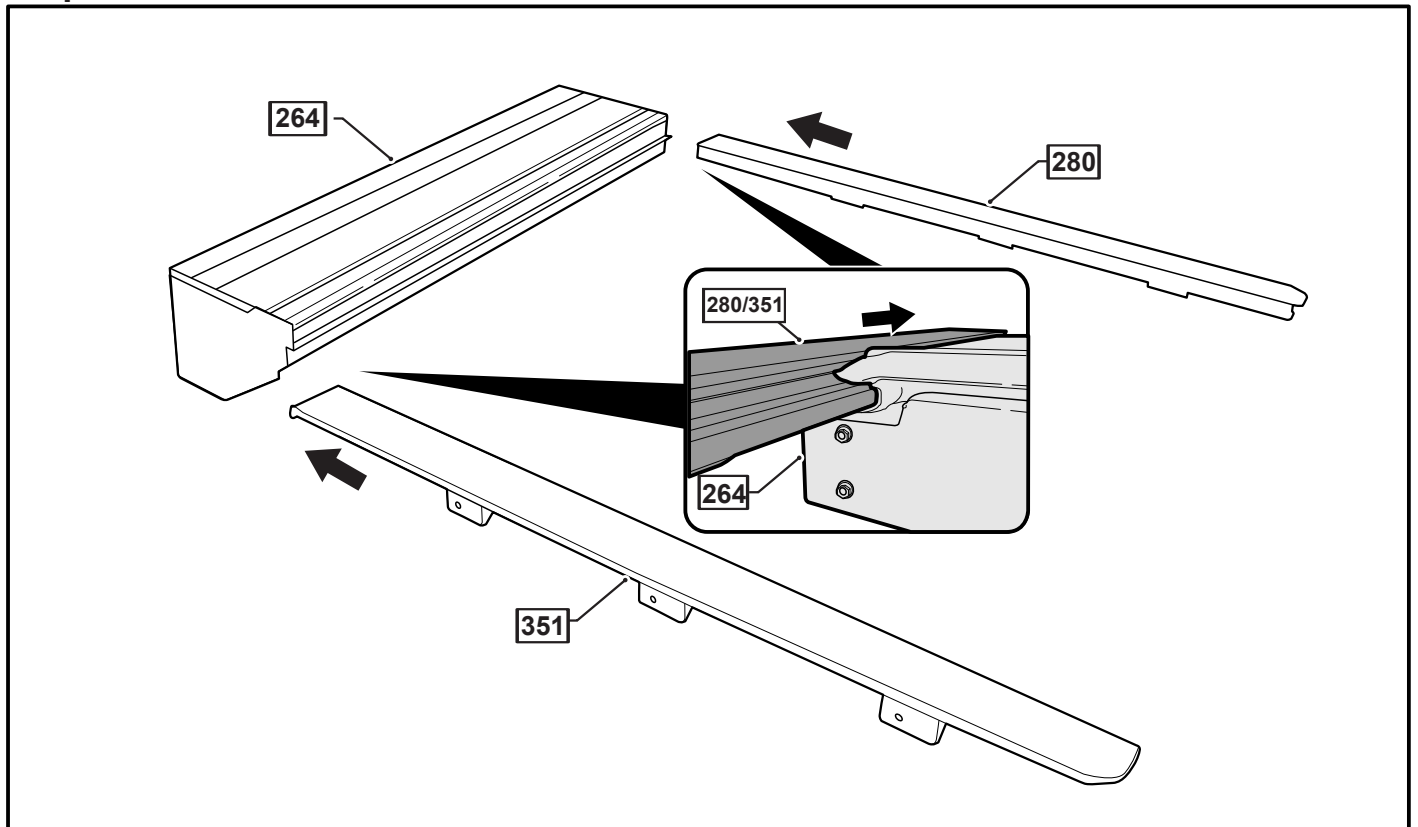
**Important**

Ensure the black tar is not removed with the film.

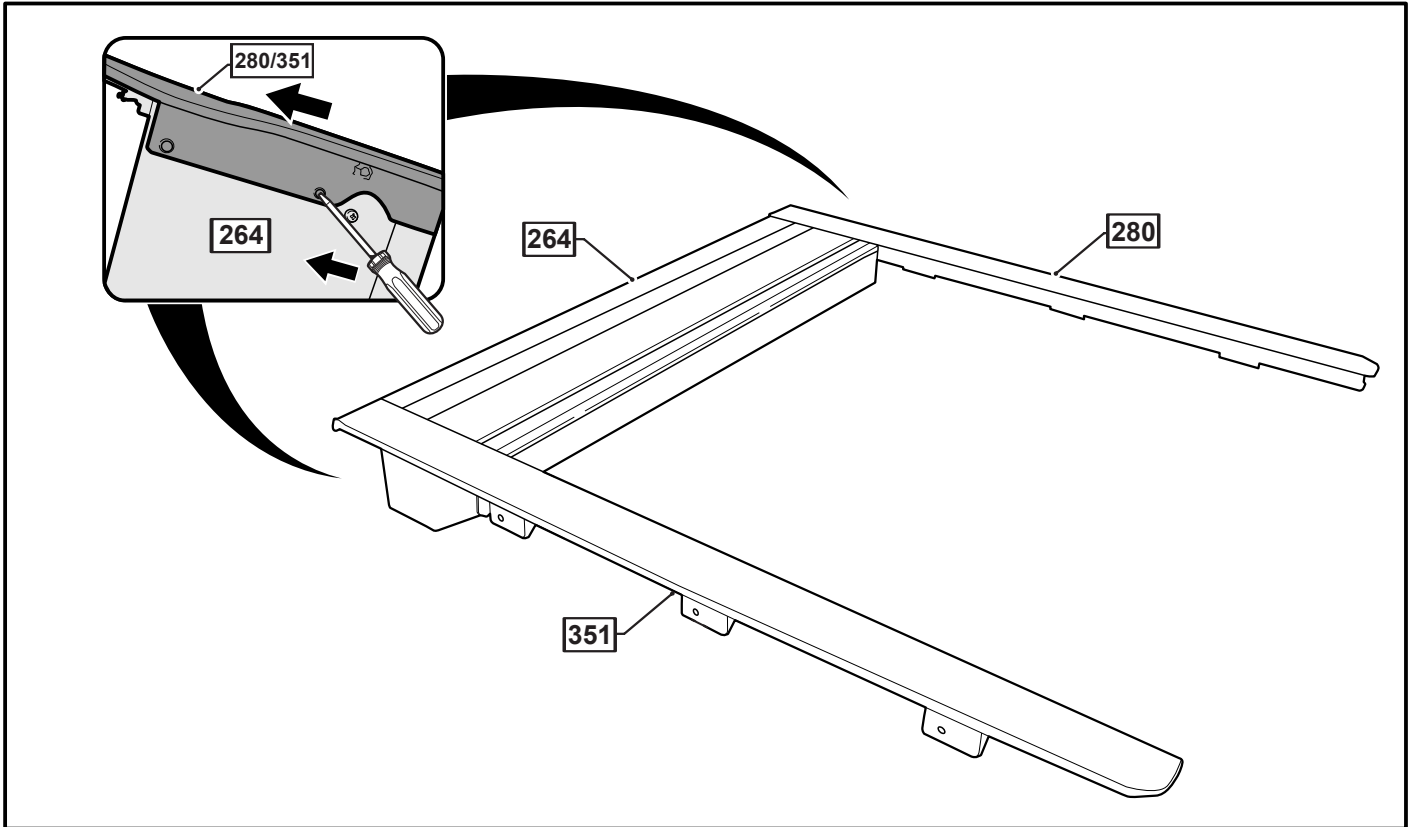
– Step 7



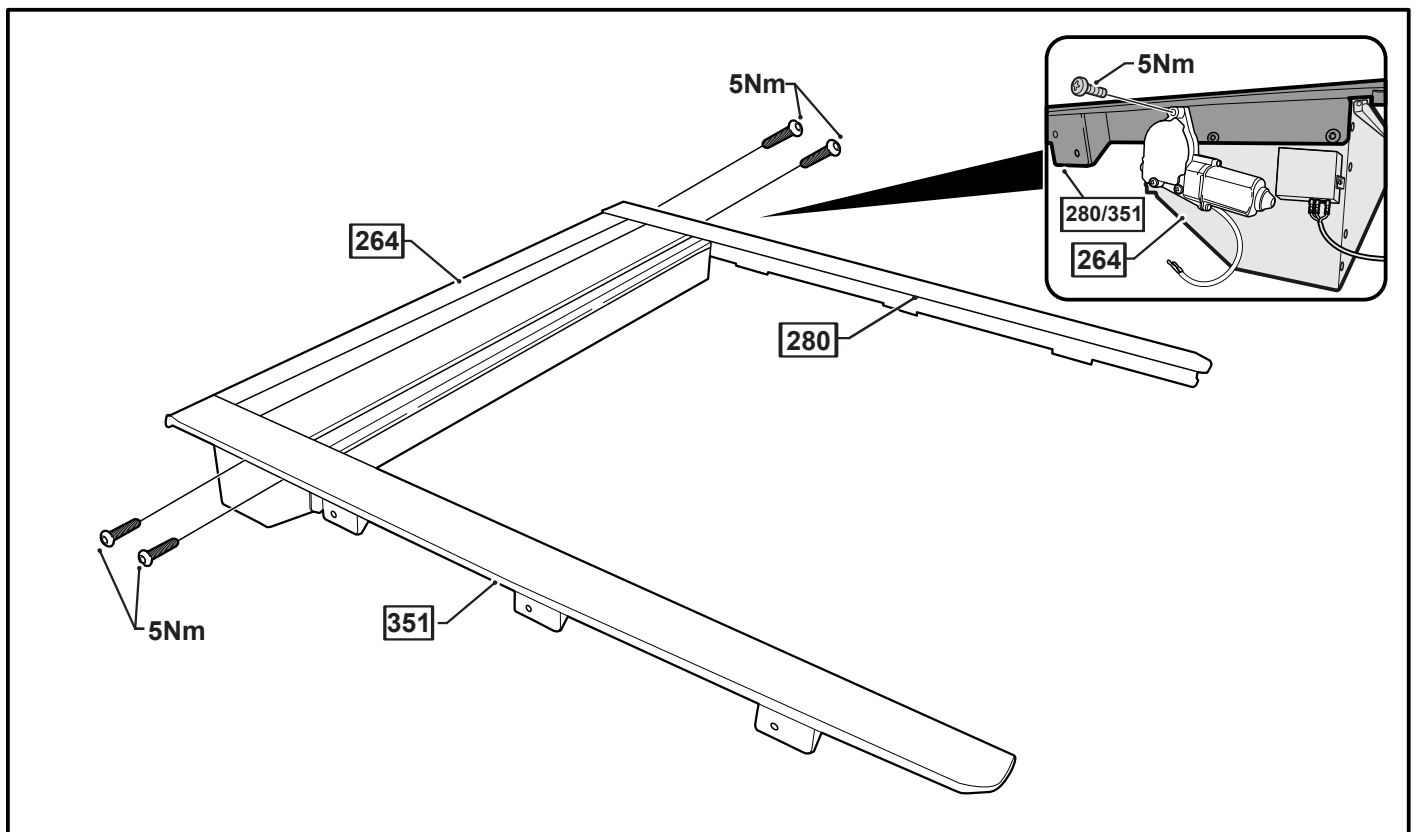
– Step 8



– Step 9

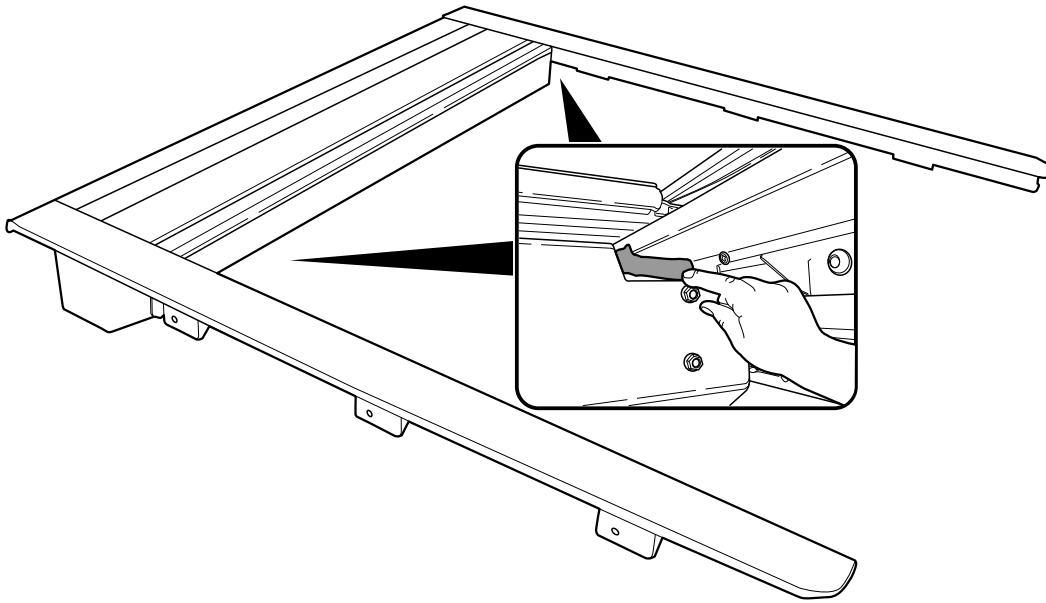


– Step 10



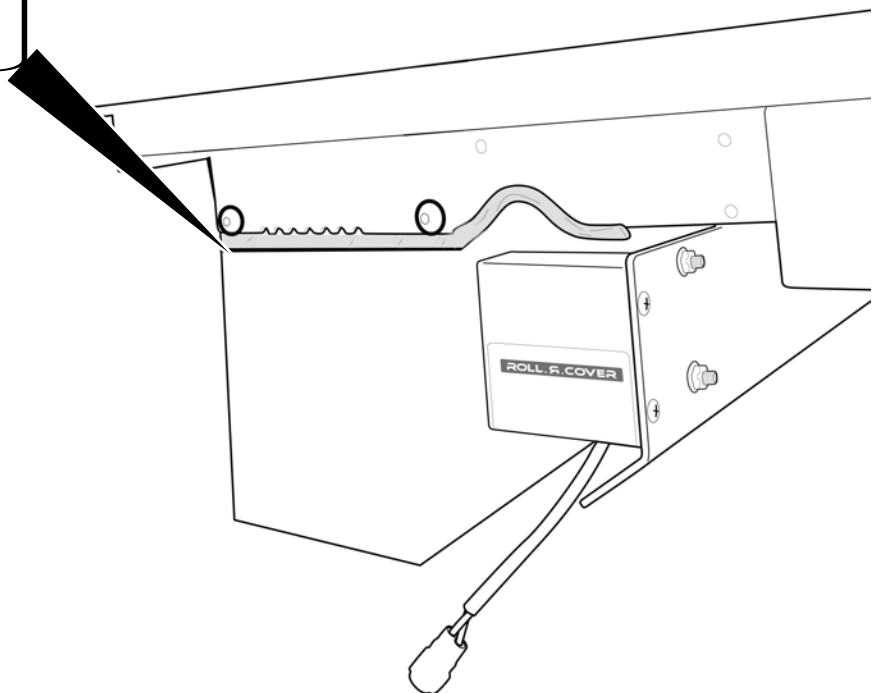
– Step 11

Apply tar sealant to the gap under water channel.



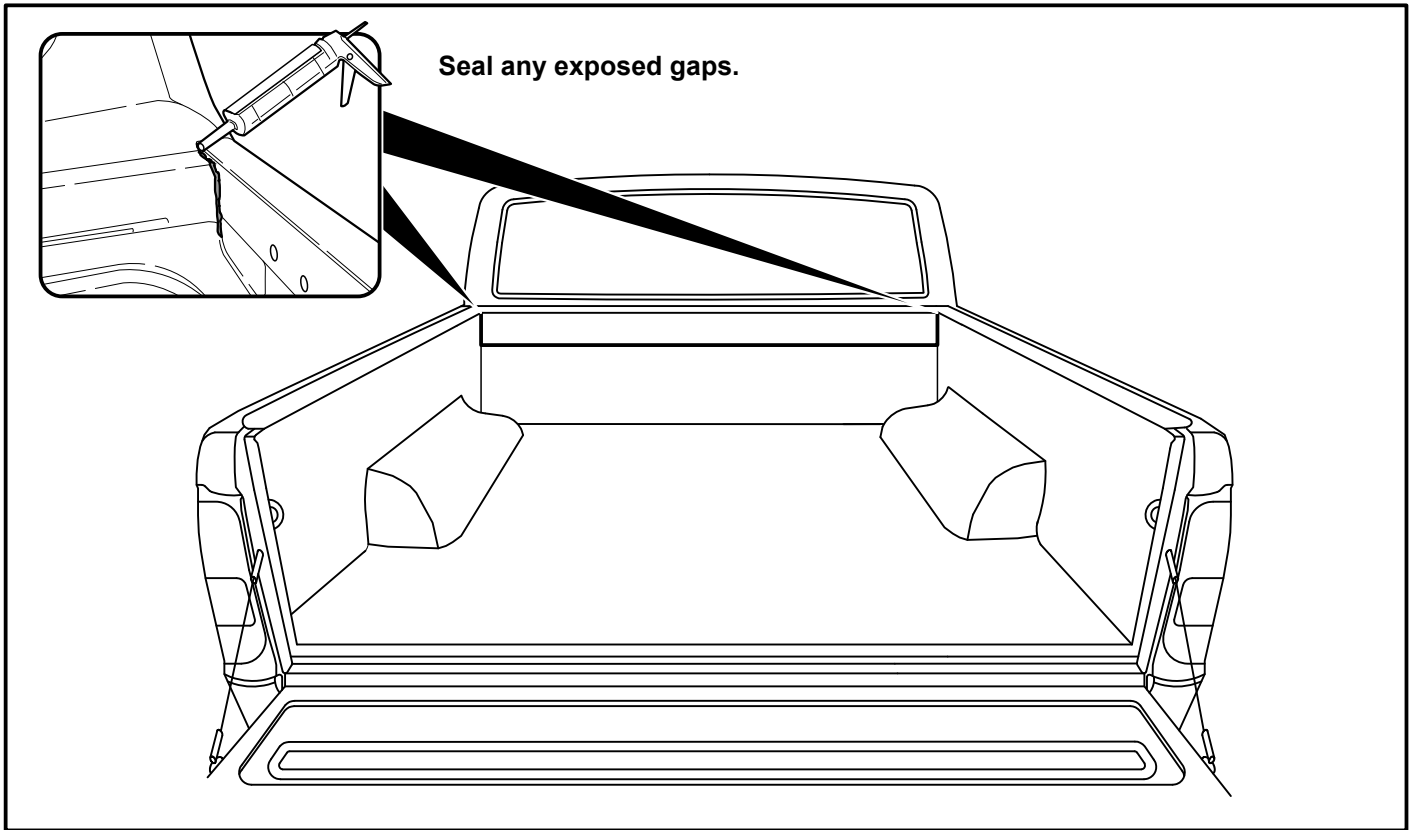
– Step 12

Apply tar sealant to both sides of the canister as shown (where accessible).

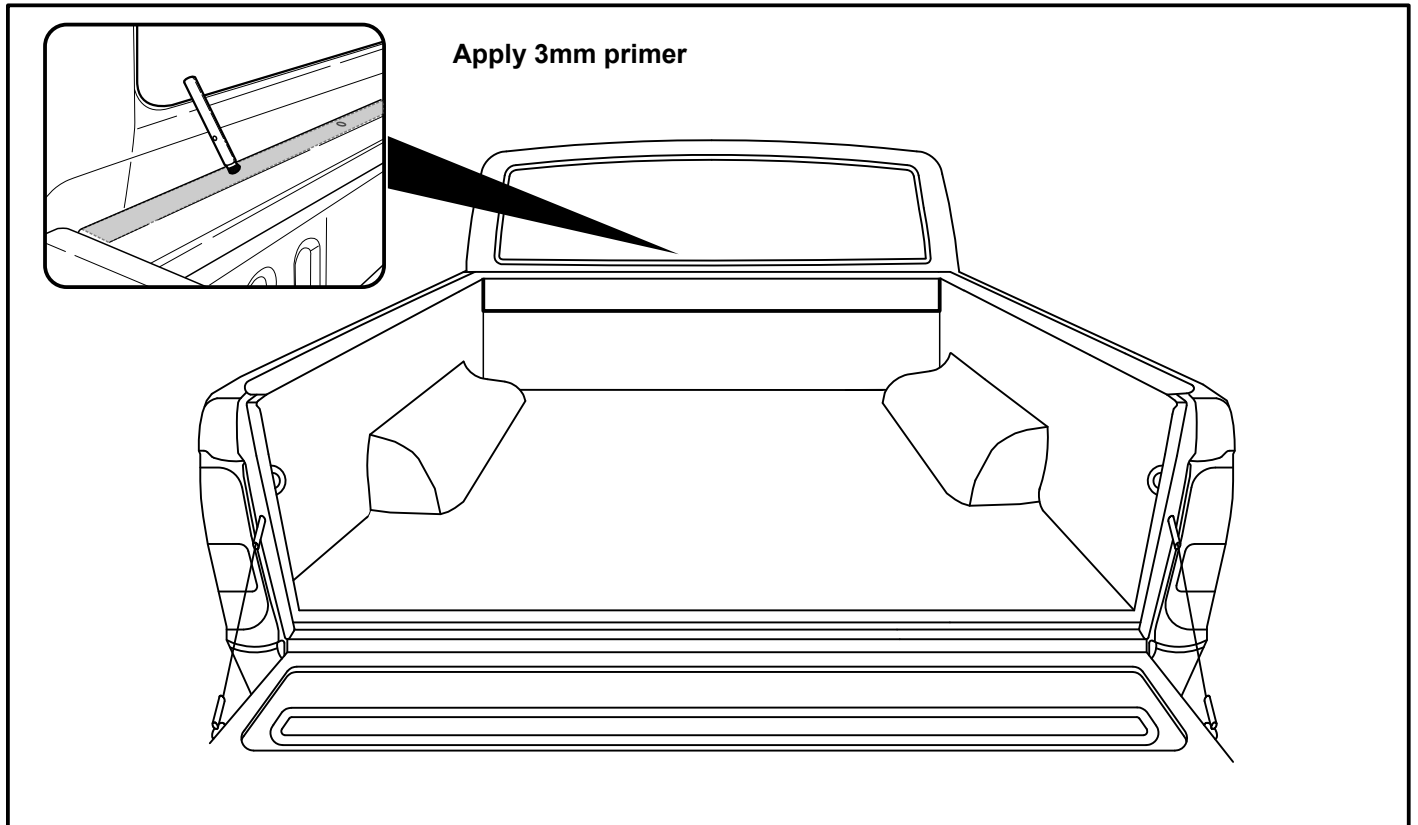




– Step 13

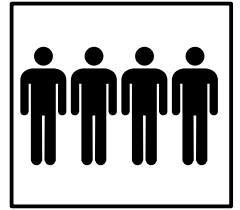
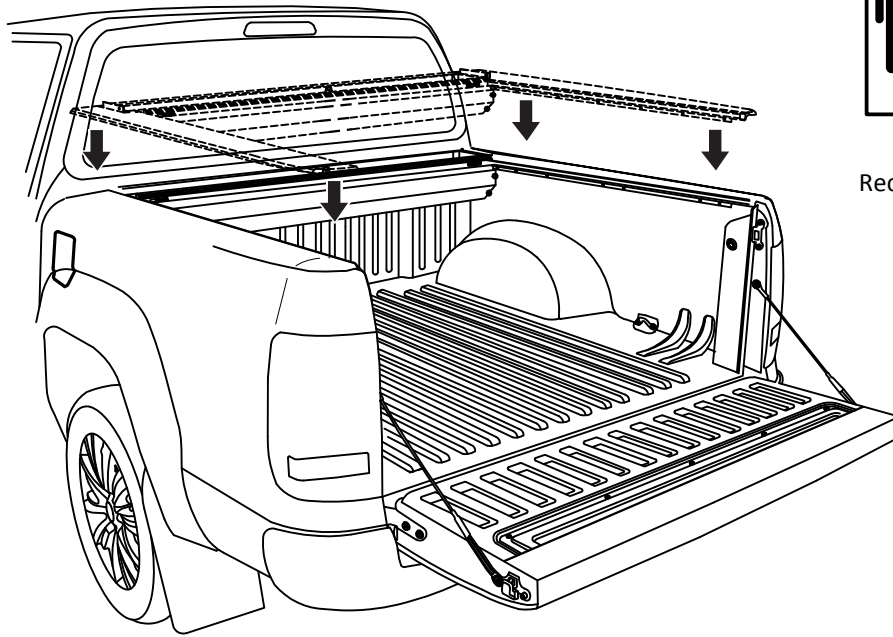


– Step 14



– Step 15

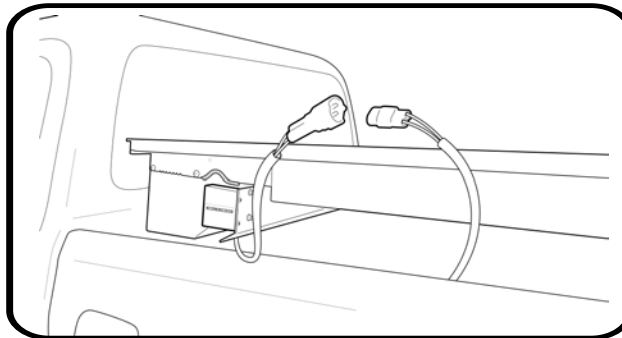
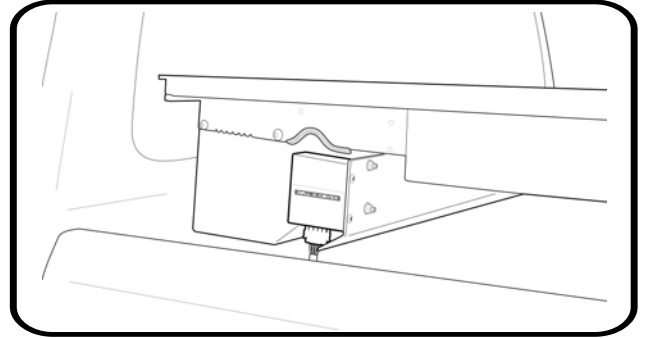
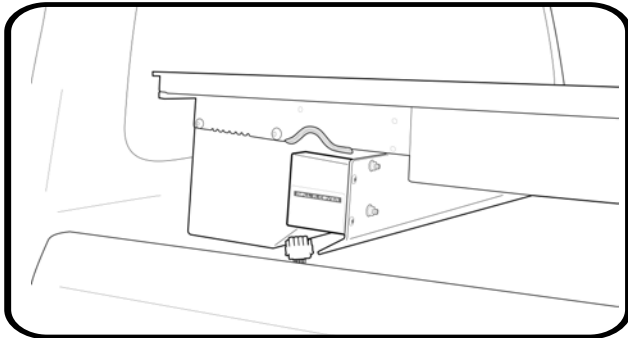
Installing the Roll-R-Cover



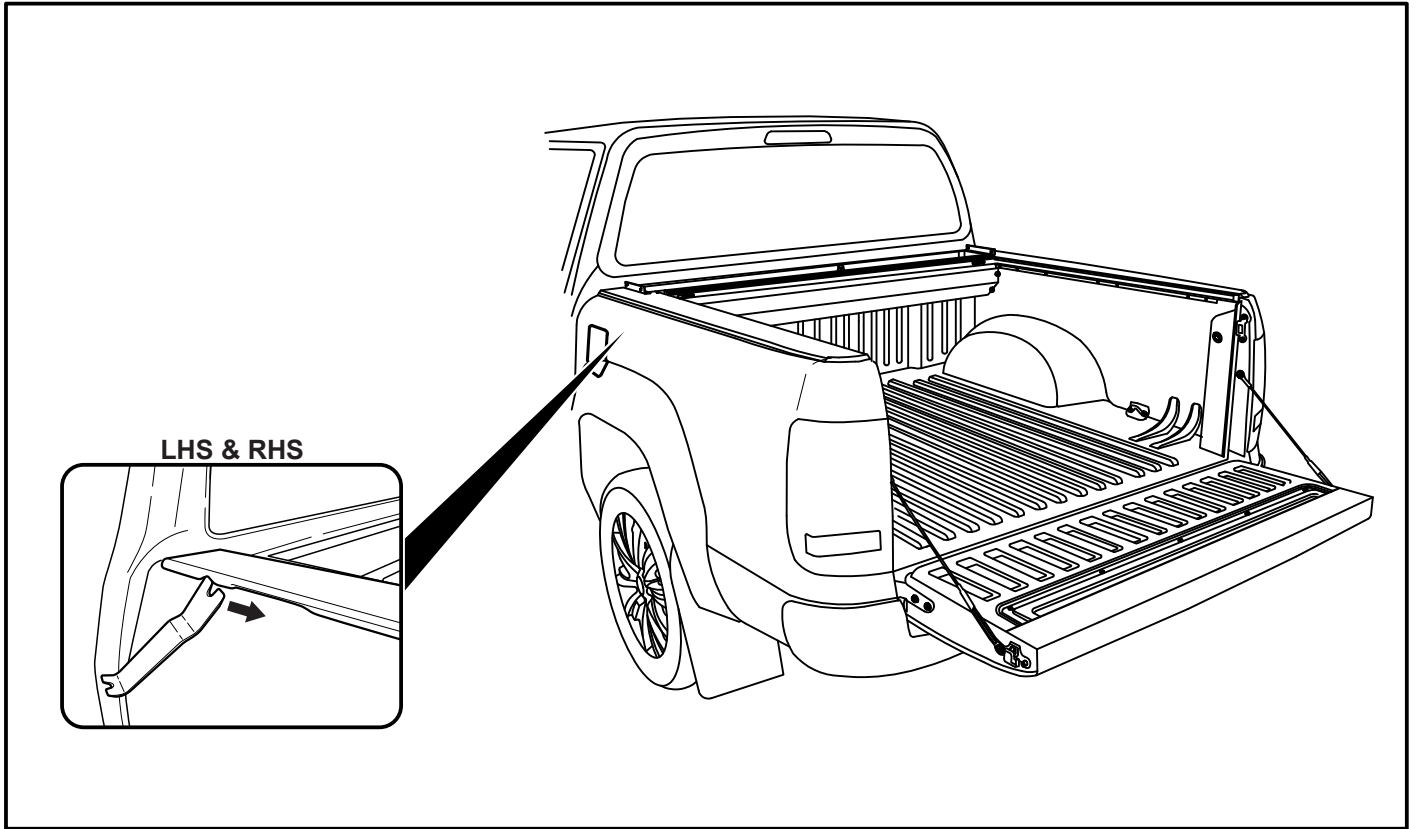
4 People  
Recommended for lift

– Step 16

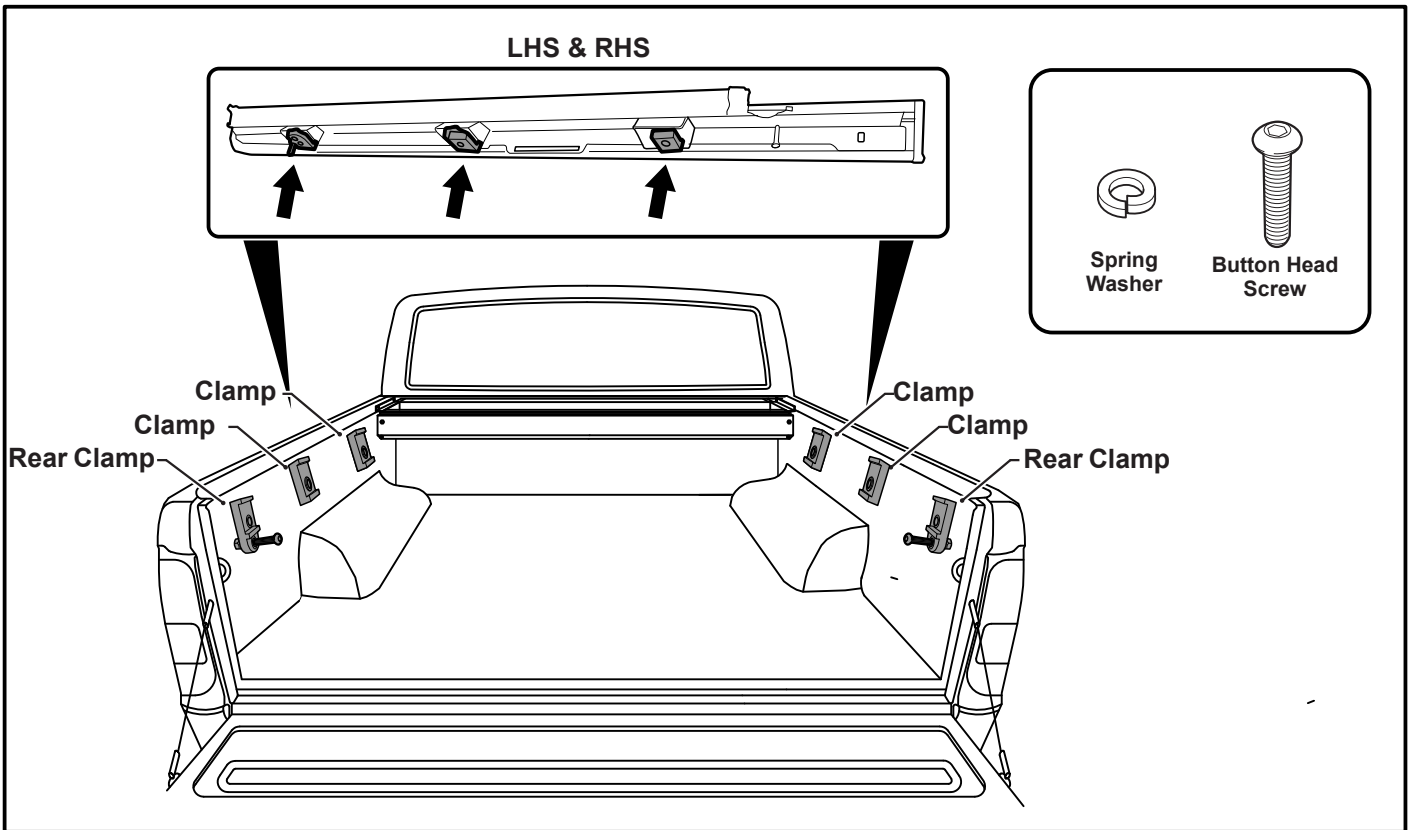
Before dropping the Roll R cover into place on the tub, connect all relevant connections or plugs to the receiver and motor plug connection.



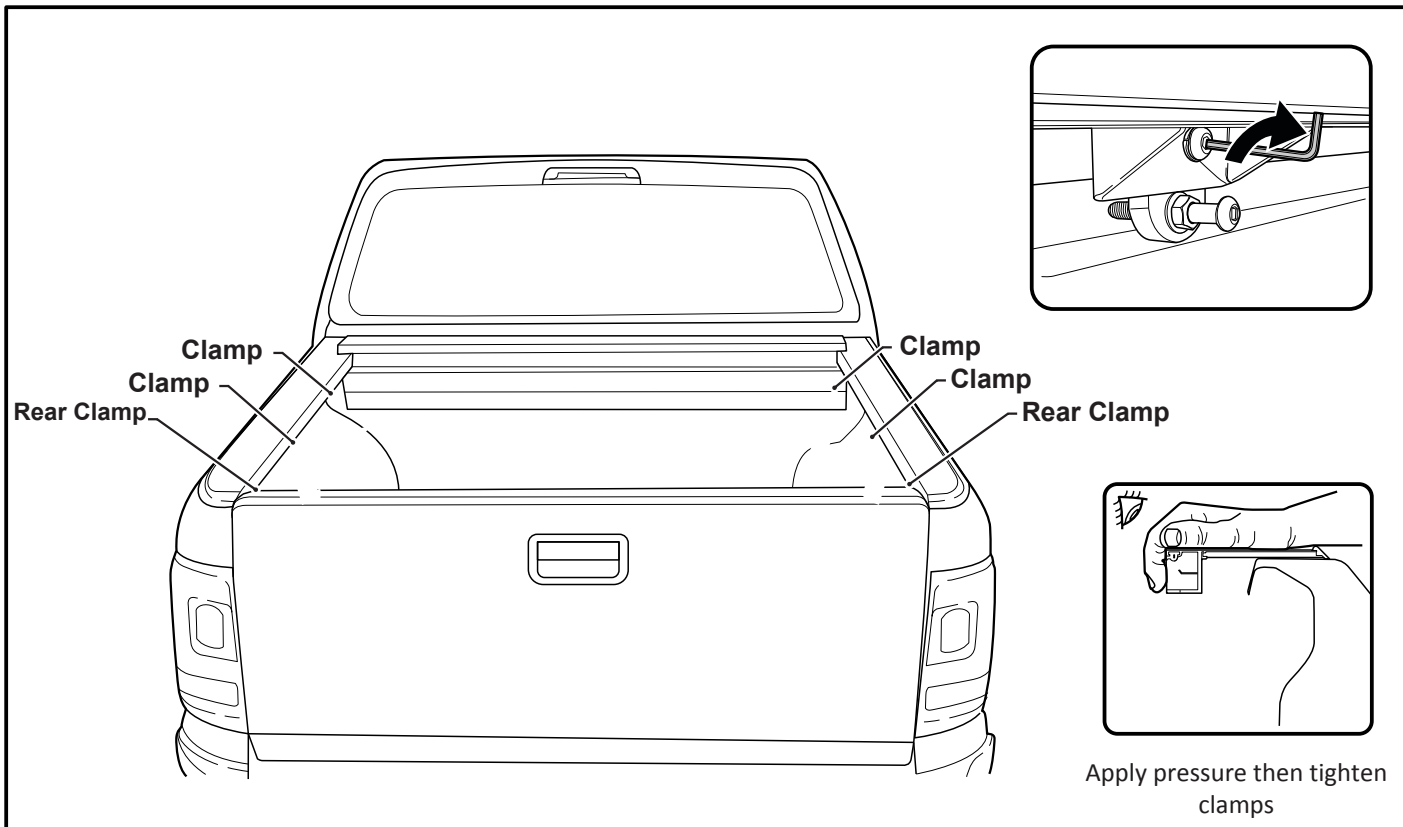
— Step 17 —



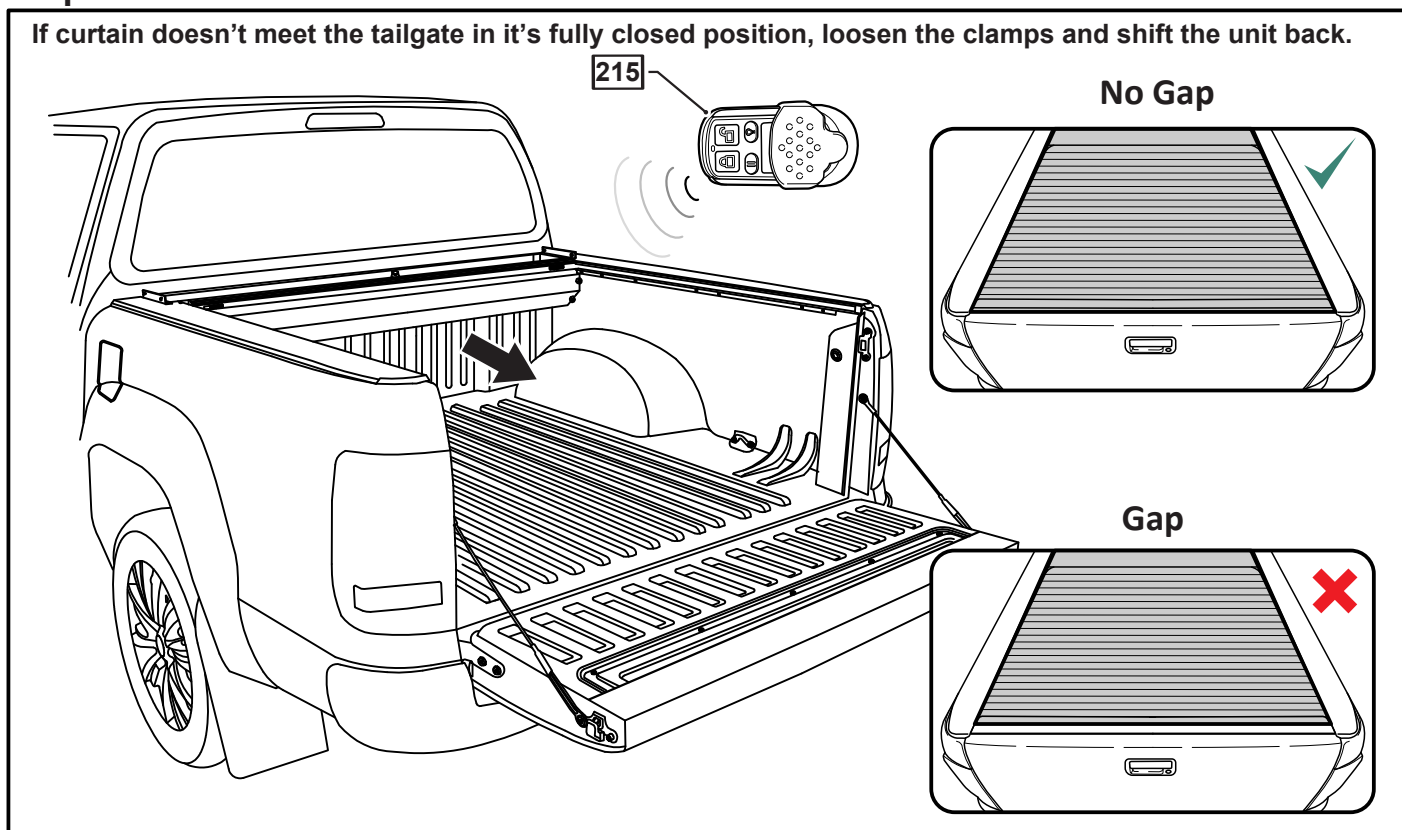
— Step 18 —



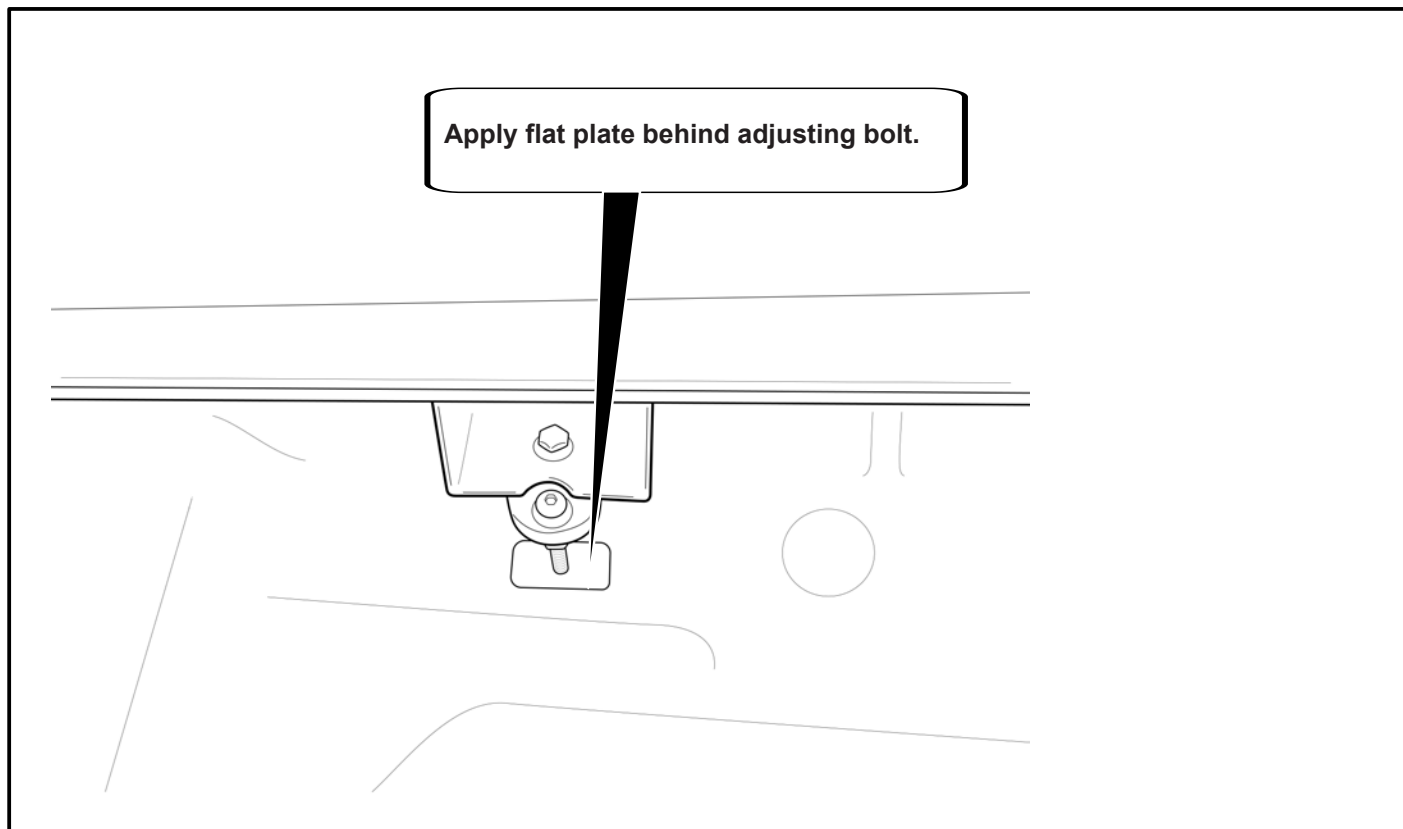
– Step 19



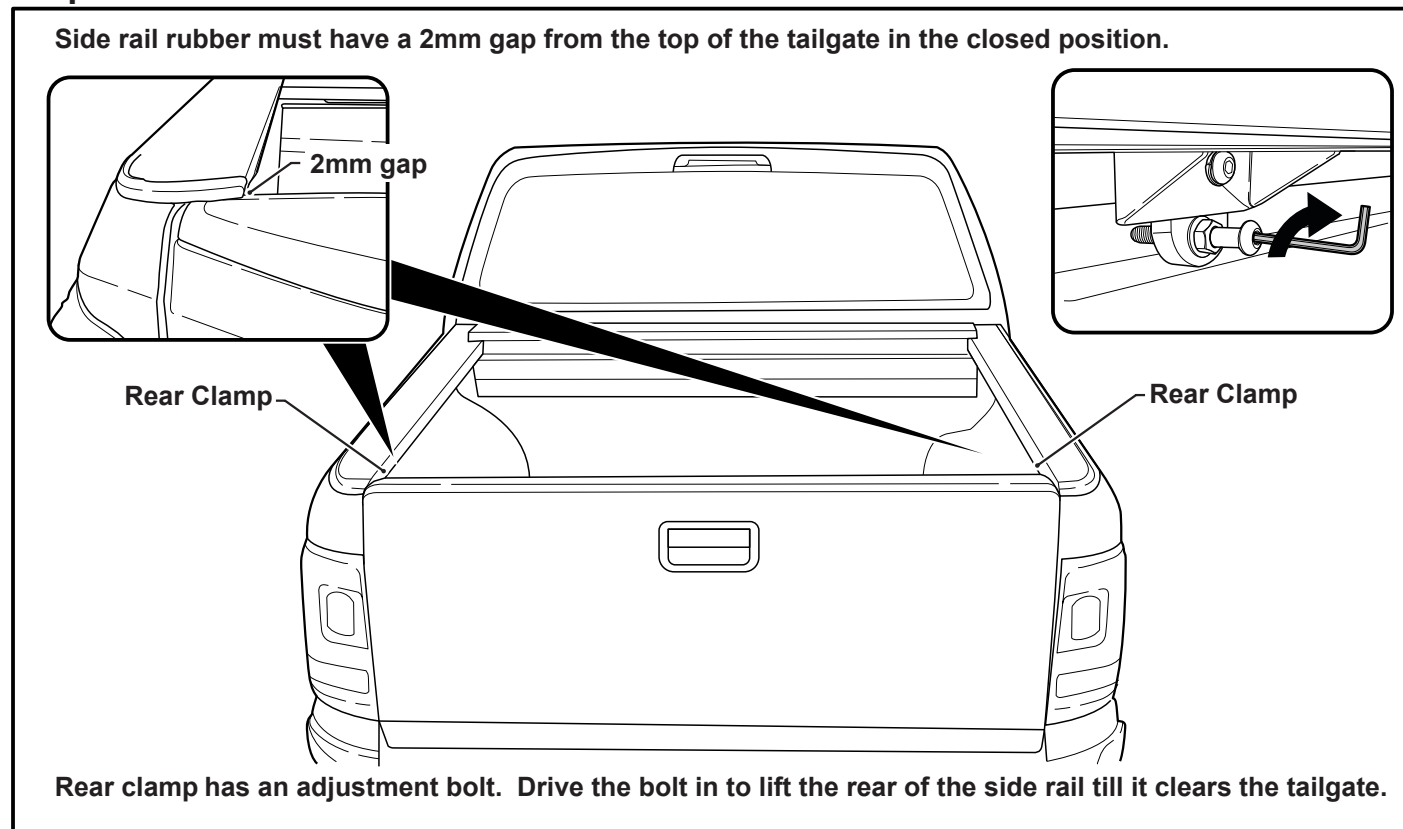
– Step 20



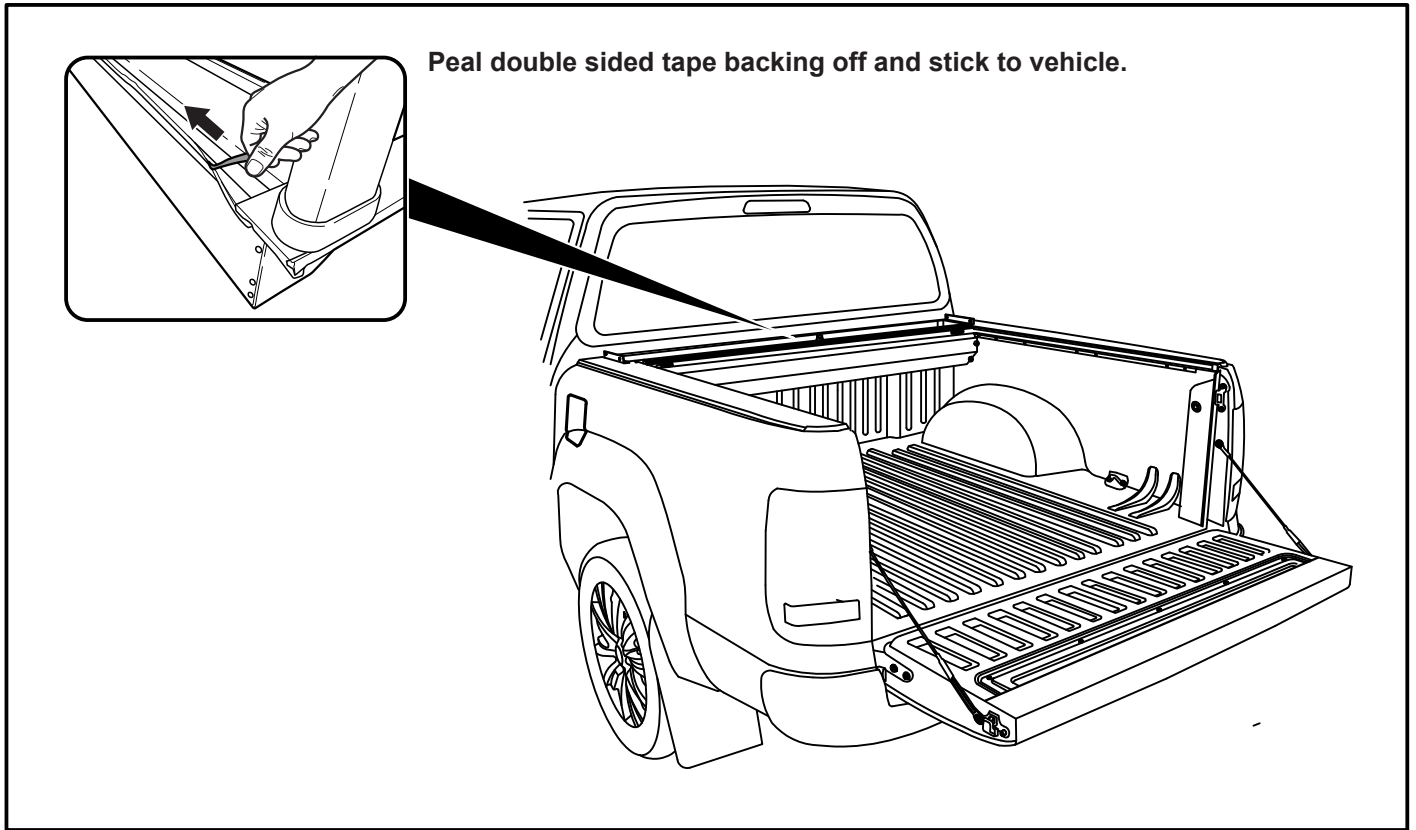
– Step 21



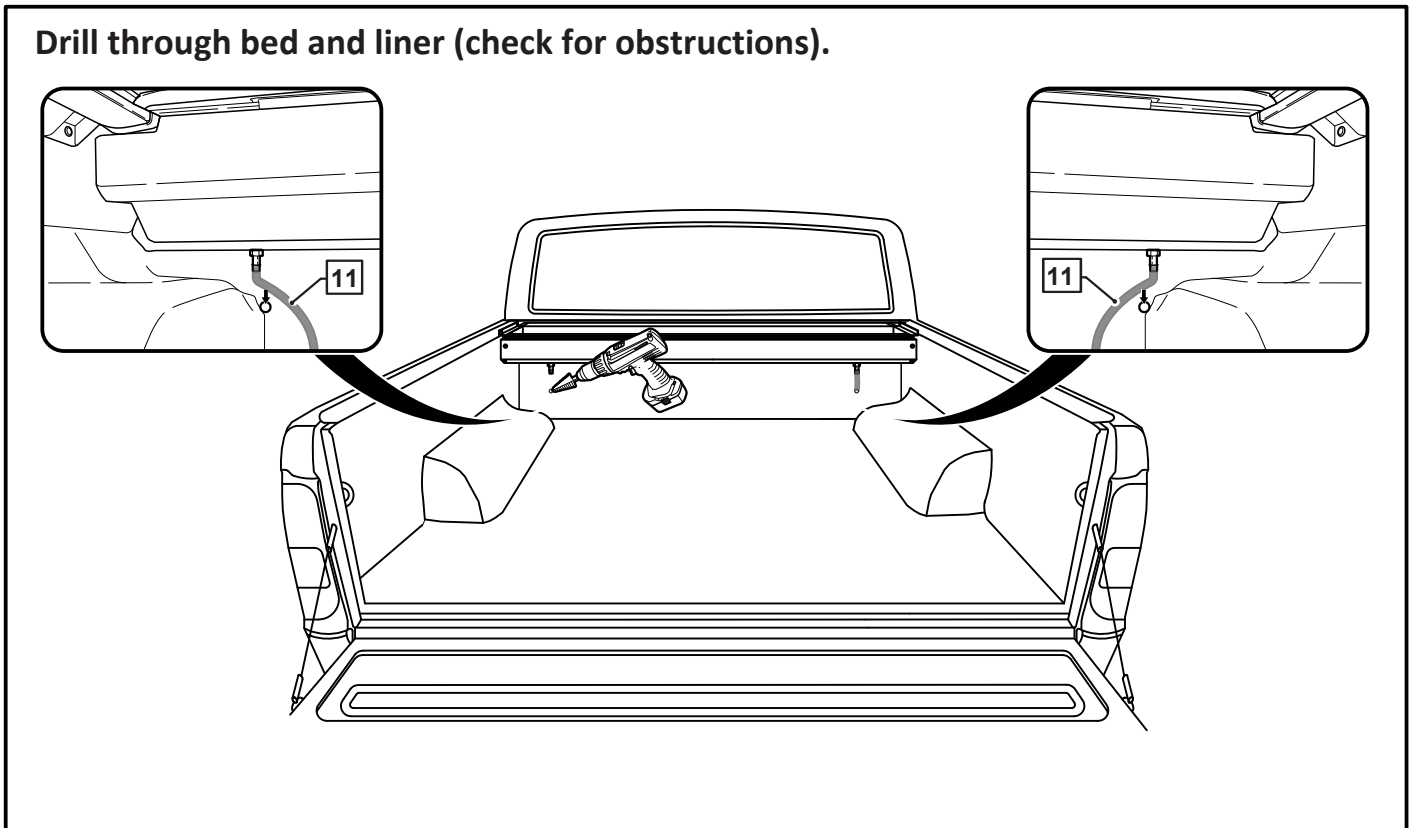
– Step 22



– Step 23

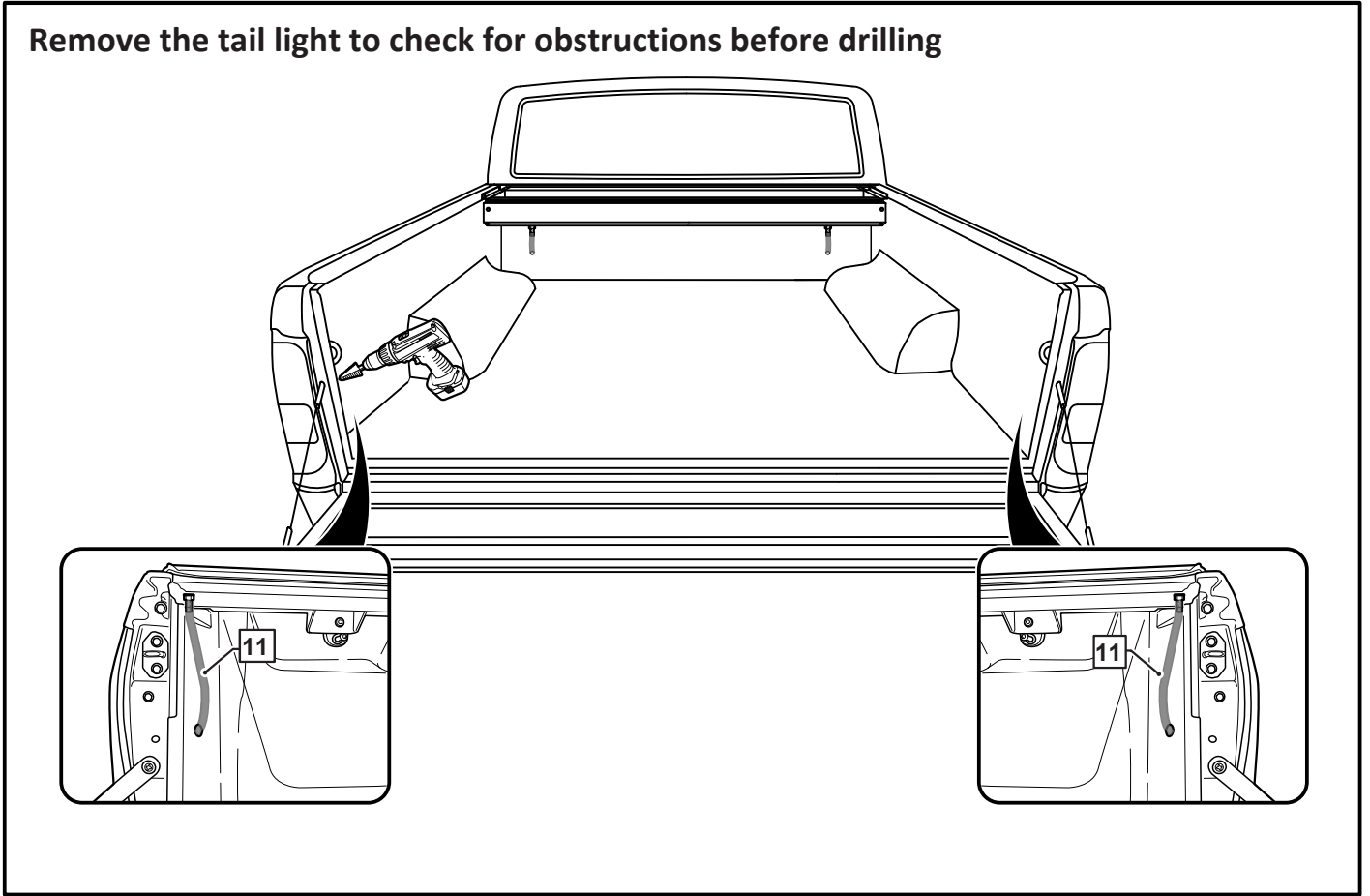


– Step 24



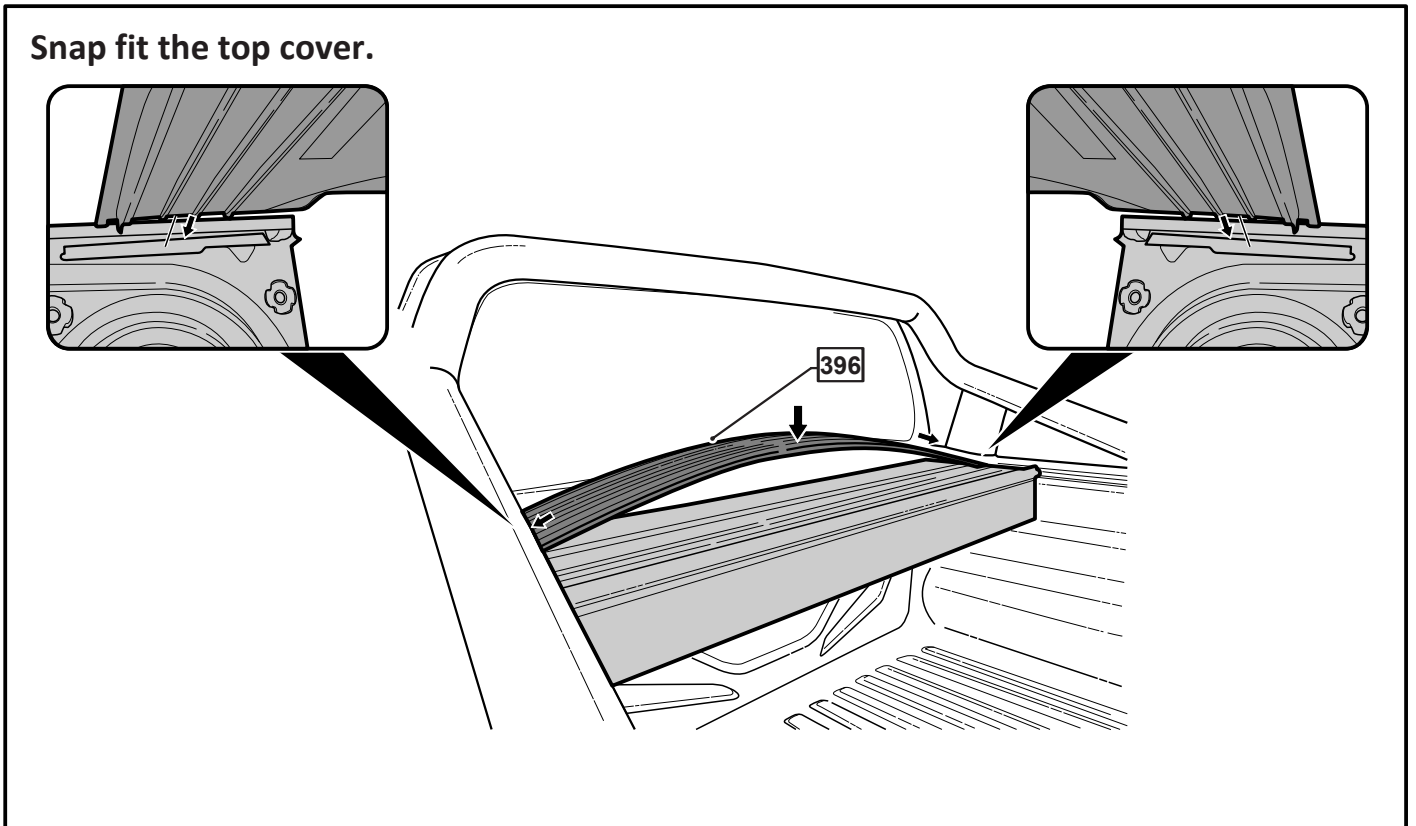
– Step 25

Remove the tail light to check for obstructions before drilling

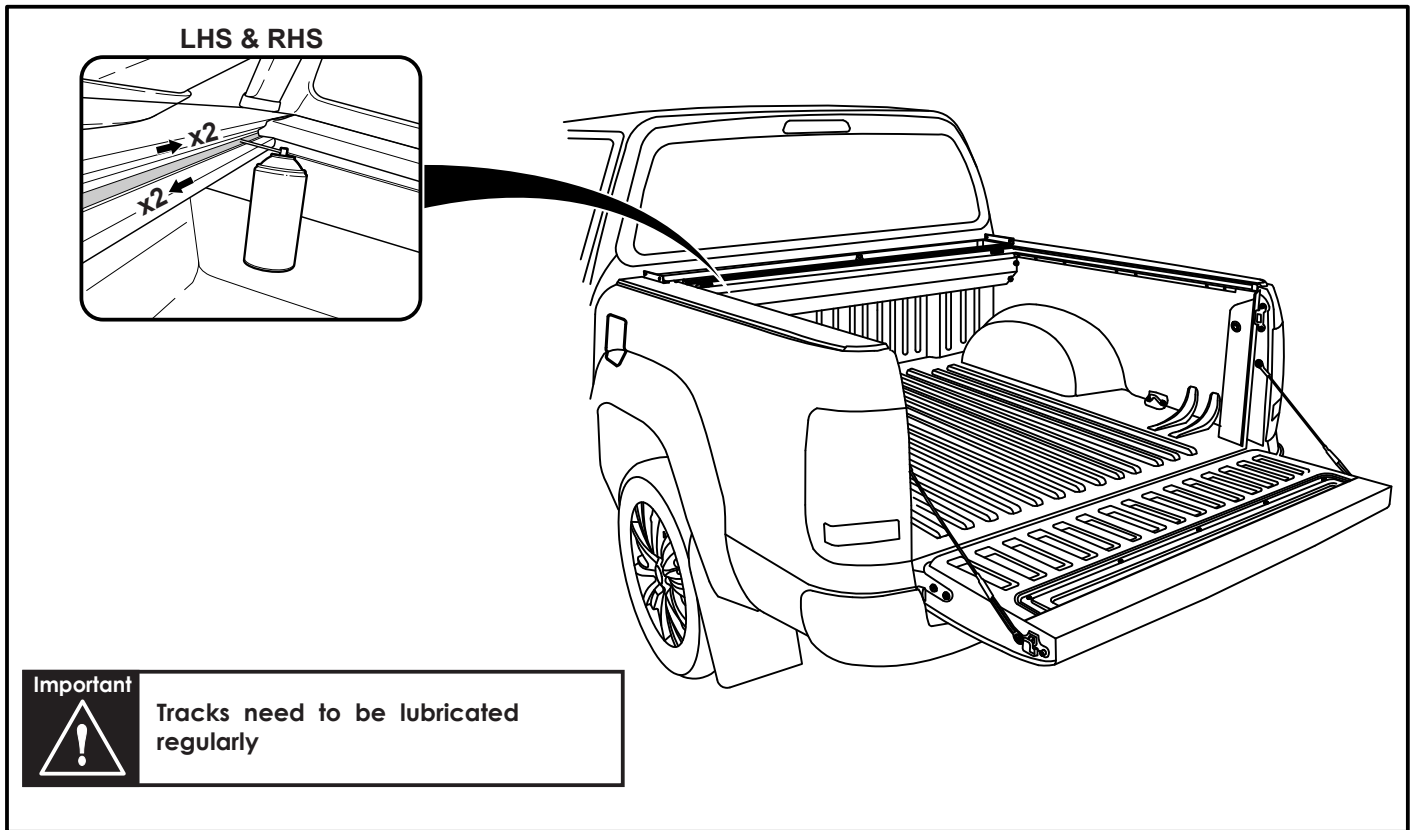


– Step 26

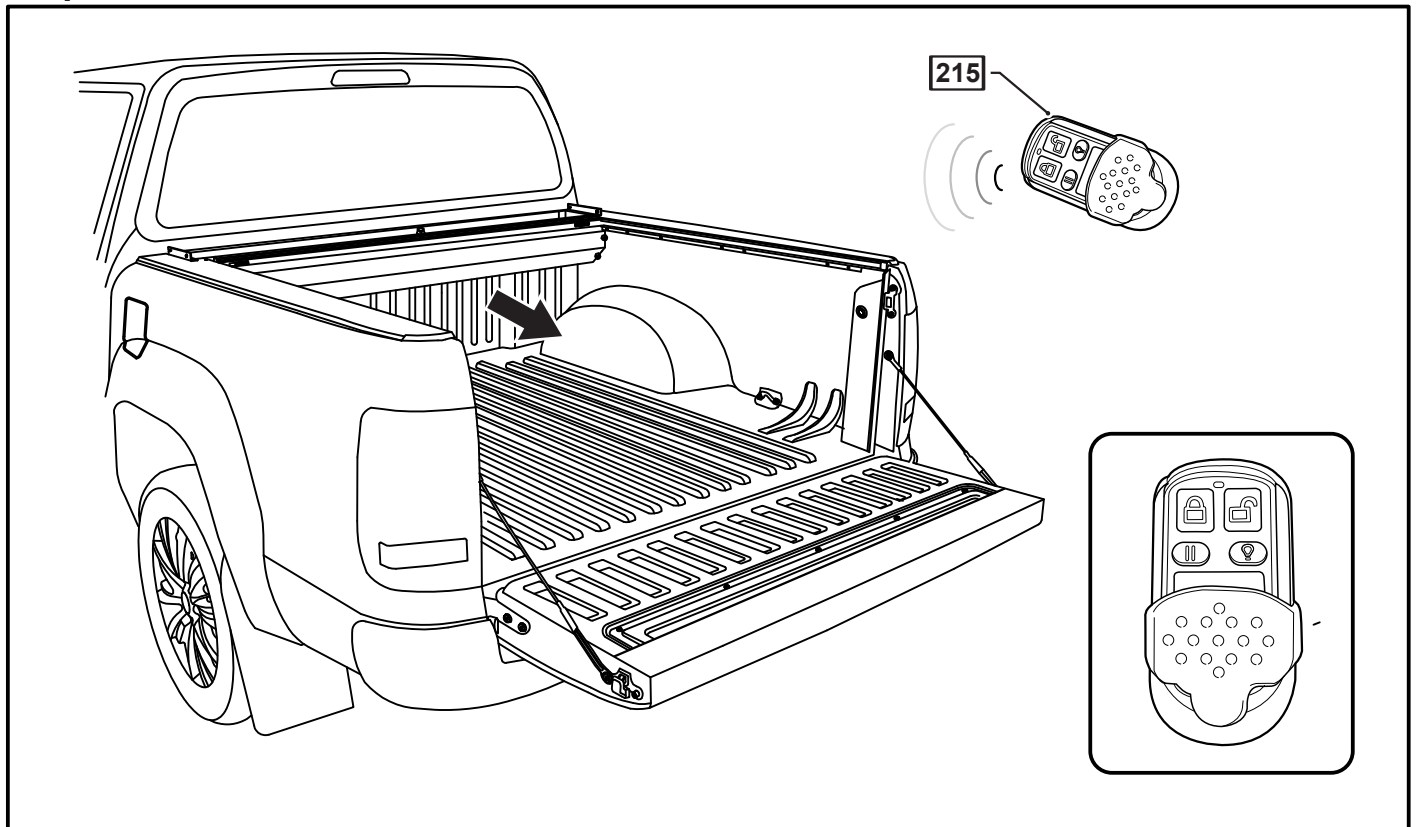
Snap fit the top cover.



– Step 27



– Step 28





**Important**



You may open tailgate when Roll R Cover is in closed position, however you **MUST NOT** close the tailgate when Roll R Cover curtain is in the fully closed position.

# WARNINGS!

[www.hsputelids.com](http://www.hsputelids.com)

 <b>NO STANDING</b>	<b>ENSURE LOAD IS SECURE</b> 	 <b>CHECK GLIDES OIL REGULARLY</b>	 <b>CHECK CLAMPS AND TIGHTEN</b>	 <b>DO NOT PLACE LOAD ON COVER</b>	<b>CHECK DRAIN</b>  <b>CLEAN CANISTER</b>	 <b>MECHANICAL HAZARD</b> 	<b>NO PEOPLE OR ANIMALS UNDER ROLL TOP</b> 
------------------------	--	---	---	---	---	--------------------------------------	--

E. & O.E. This document is copyright and must not be used except as permitted below or under the Copyright Act 1968. You may reproduce and publish this document in whole or in part for your or your organisation's own personal or internal compliance, educational or non-commercial purposes. You must not alter or amend this document in any way. You must not reproduce or publish this document for commercial gain without the prior written consent of the copyright owner.