



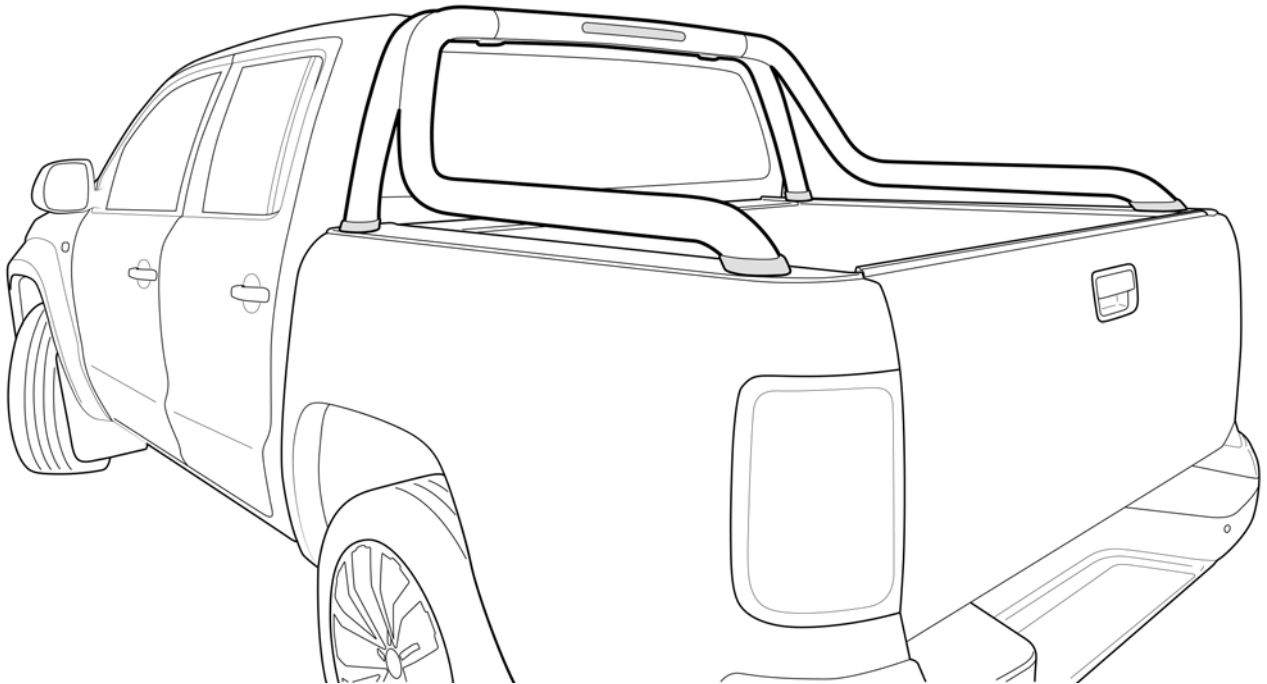
[WWW.HSPUTELIDS.COM](http://WWW.HSPUTELIDS.COM)

Part No: A53R

Fitting Time: 180 minutes

**ROLL-R.COVER**

To suit Volkswagen Amarok with extended sports bars



Roll-R-Cover  

---

Fitting Instructions

## – General Notes

- Read through the fitting instructions before installation of accessory.
- Always install the Roll R Cover Wiring Kit following the workshop manual and fitting instructions provided. Failure to do so may cause damage to the vehicle or the accessory.
- Ensure all recyclable components and packaging are discarded and recycled following local recycling regulations.
- It is always recommended that the Roll R Cover Wiring Kit is fitted by a qualified automotive technician.
- Safely store and protect any removed vehicle components.

## – Safety Notes

- Check that all work practices comply with safety standards.
- Please wear appropriate clothing and use safety equipment.



## – Fitting Time



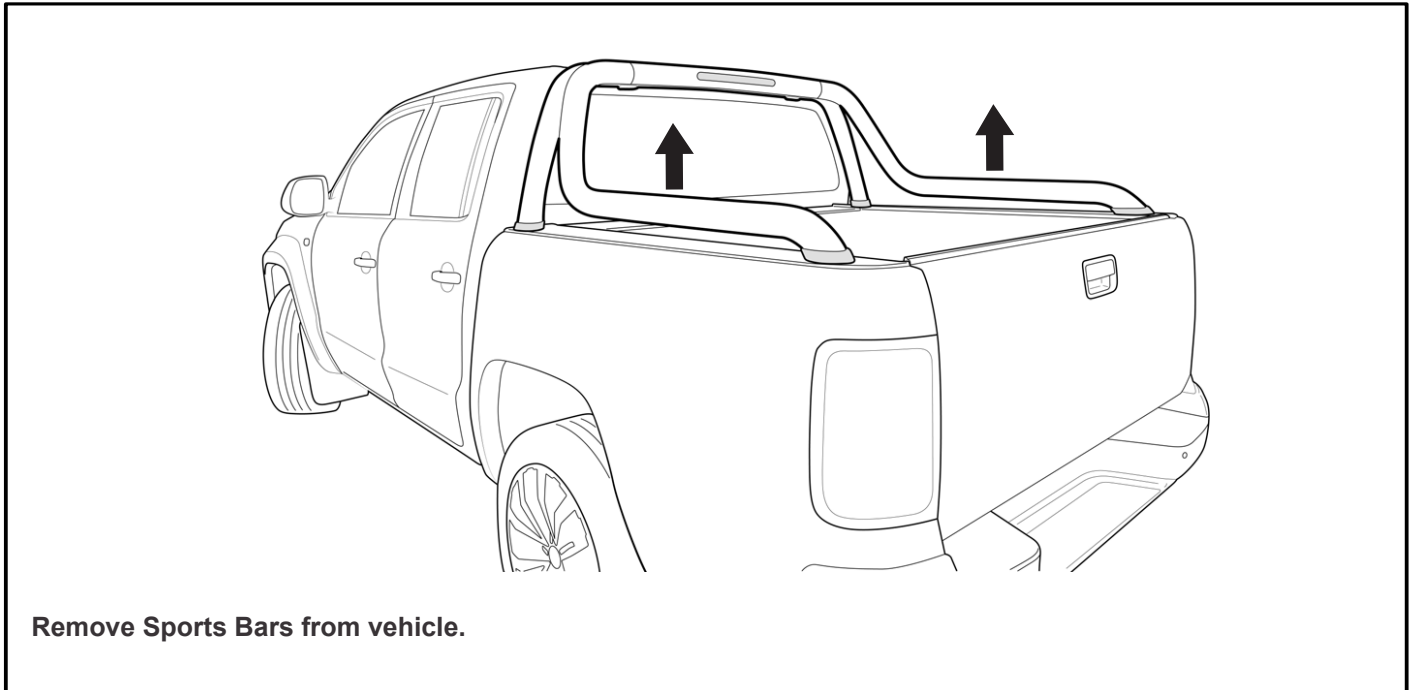
180 minutes

## – Parts Supplied

A53R	COVER WITH SPORTS BAR MOUNTING KIT (CANYON & V6 ULT SPORTS BAR)		
PART DESCRIPTION	PART NUMBER	QUANTITY/LENGTH	CHECK
A53R FITTING INSTRUCTIONS	357*	1	
LUBRICANT PUMP SPRAY	47*	1	
REMOTE	215*	2	
PRIMER STICK	44*	1	
CABLE TIE 4.8X300	217*	10	
ROLL R LOOM	216*	1	
A4R CANISTER AND CURTAIN	264*	1	
A53R RAIL RIGHTHAND	283*	1	
A53R RAIL LEFTHAND	284*	1	
C2 SPORTS BAR BRACKET	36*	2	
C1 SPORTSBAR BRACKET	35*	2	
M8 NYLOC NUT	28*	4	
M8 FLAT WASHER	34*	4	
A42R GASKET	227*	4	
HOSE 600MM	11*	4	
COMPLETE CANISTER COVER	396	1	
OPERATION LEAFLET	66	1	
MAINTENANCE LEAFLET	67	1	
ADJUSTMENT PLATES	31	2	
BLACK PUTTY	3*	8	

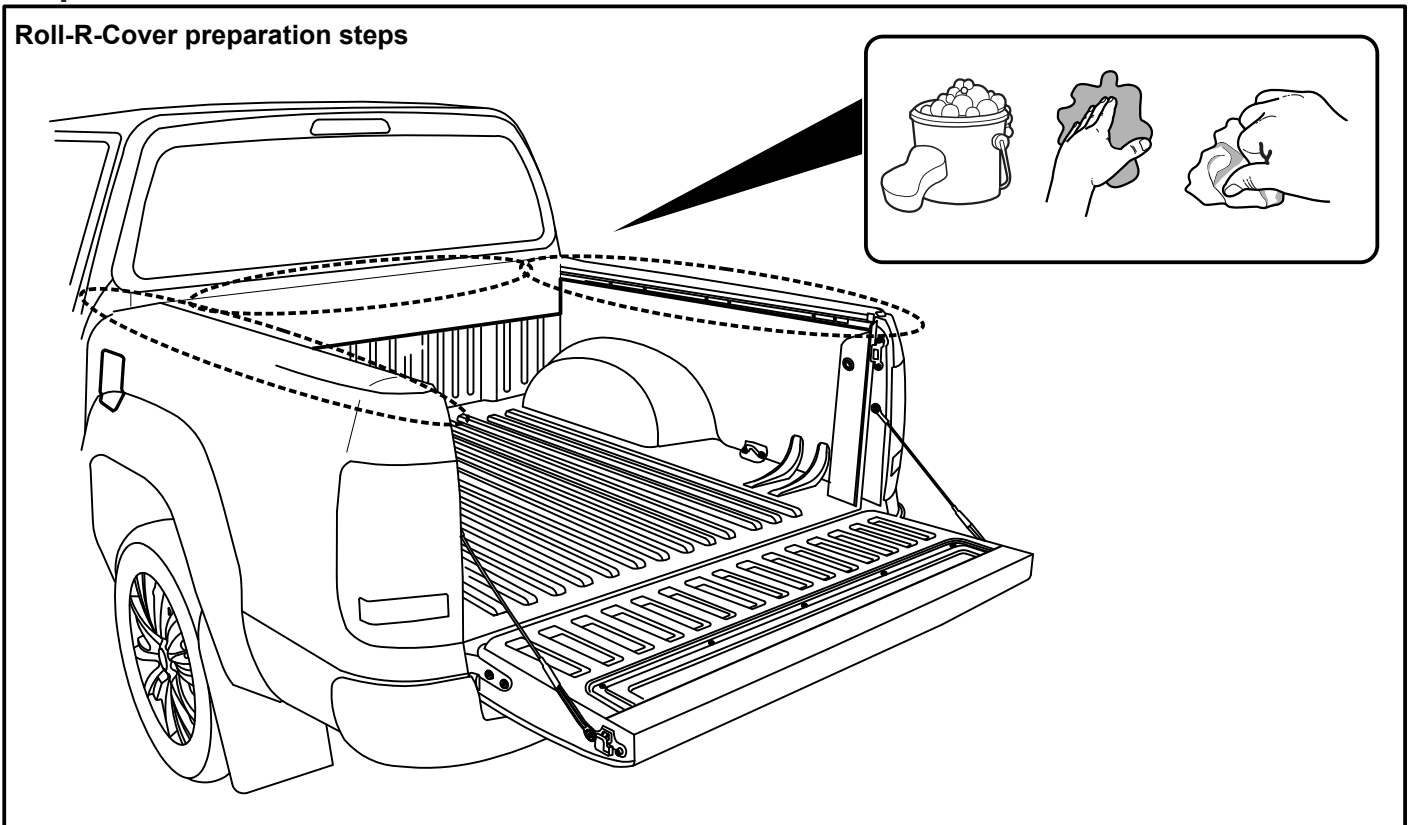
# The following steps are for vehicles fitted with a Sportsbar (kit will only work with OE Sportsbar).

## – Step 1



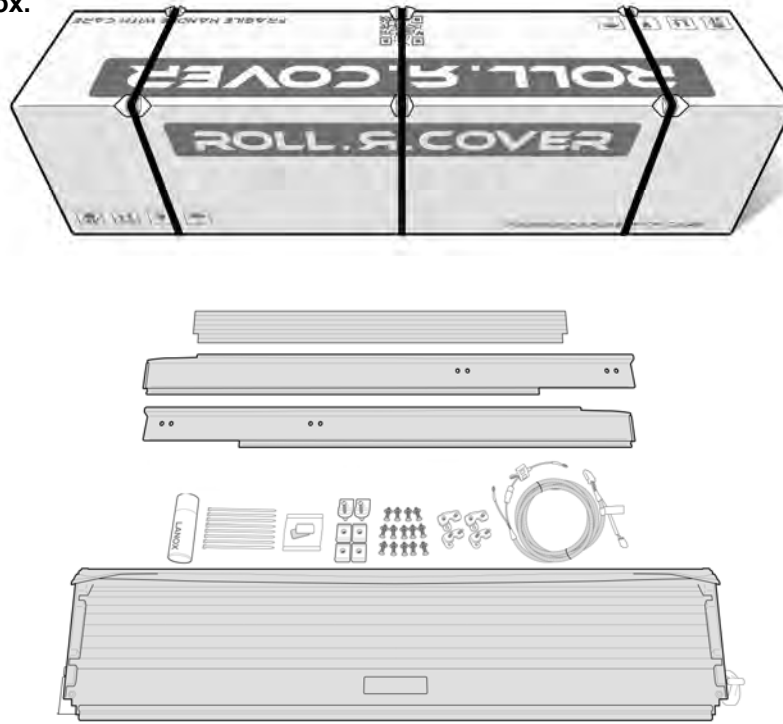
## – Step 2

### Roll-R-Cover preparation steps



– Step 3

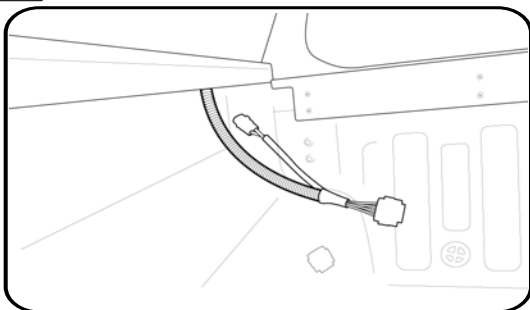
Carefully unpack the box.



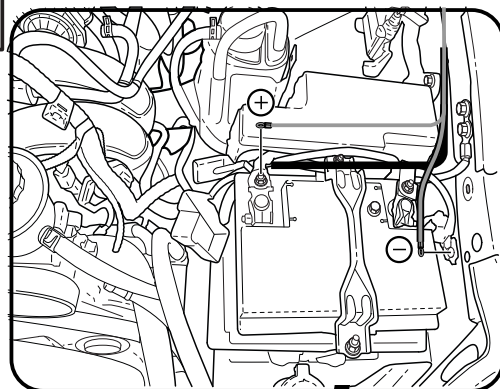
– Step 4

Wiring Harness steps

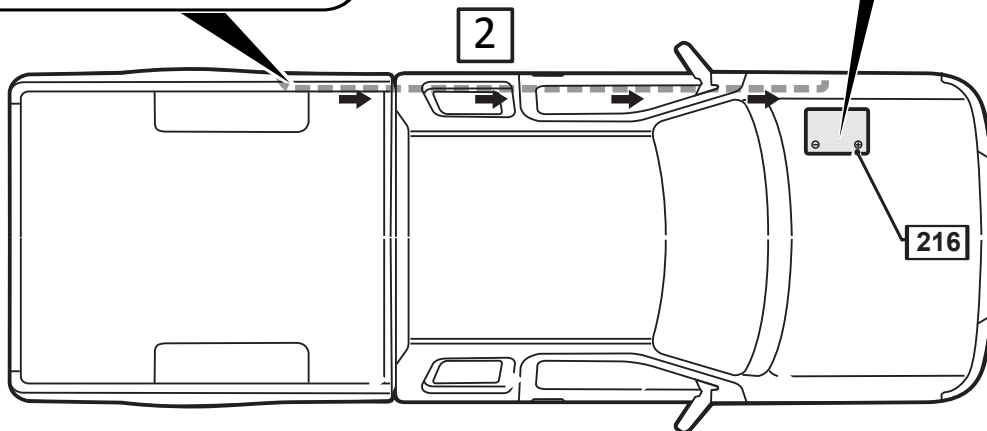
1 Feed through the cavity



3

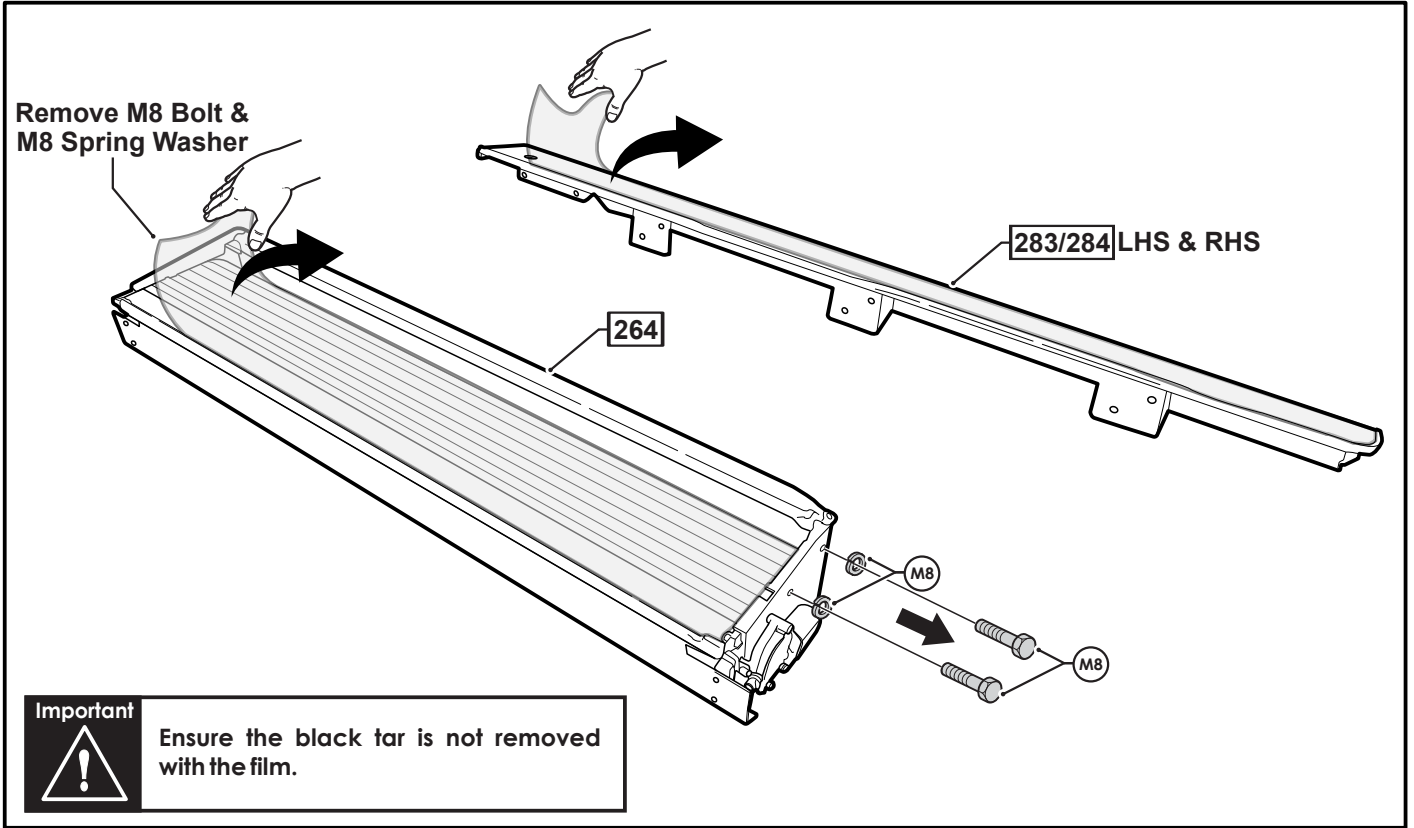


2

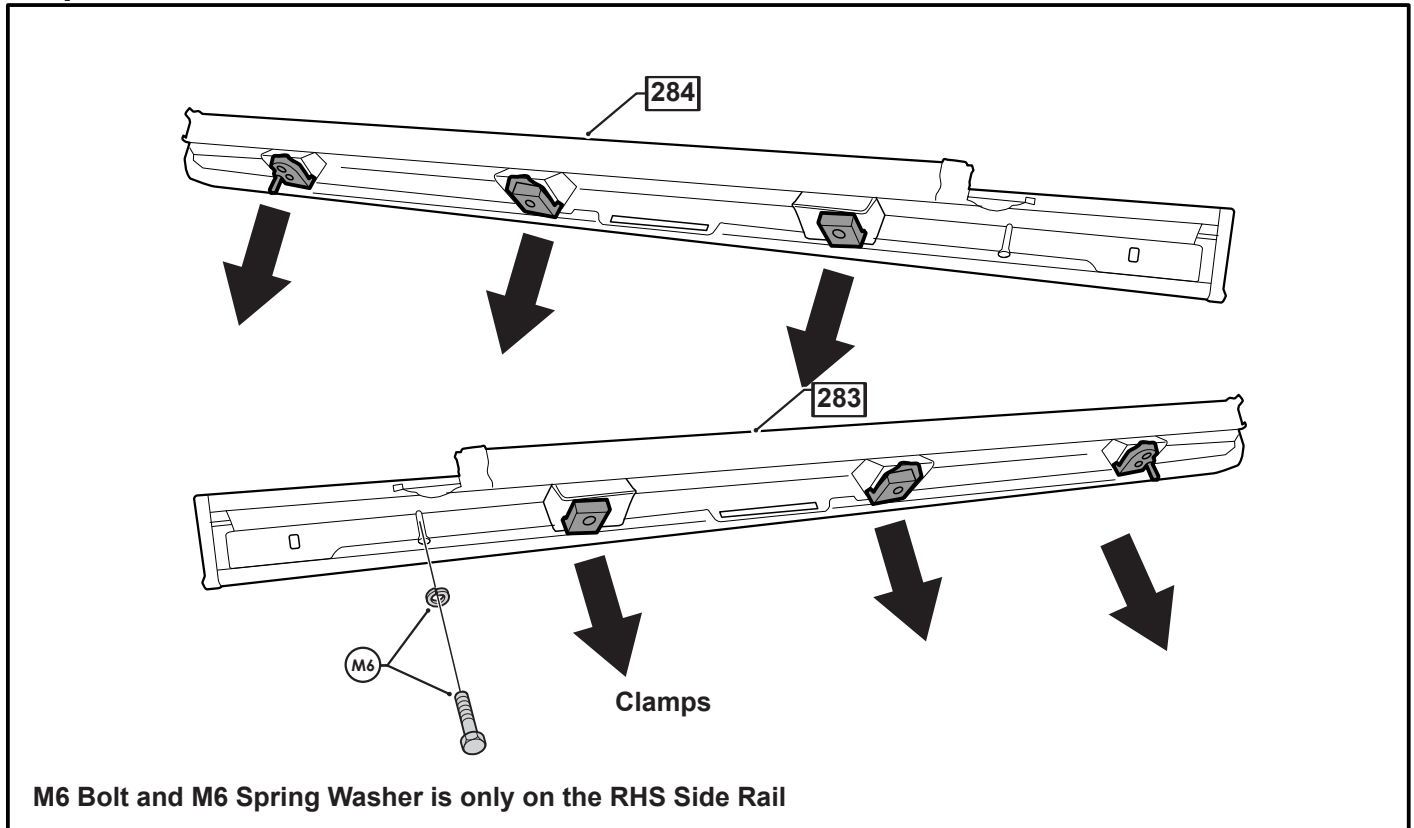


Run the wiring from the front corner cavity to the battery over the chassis rail. Making sure to keep away from hot obstructions and cable tie every 400mm.

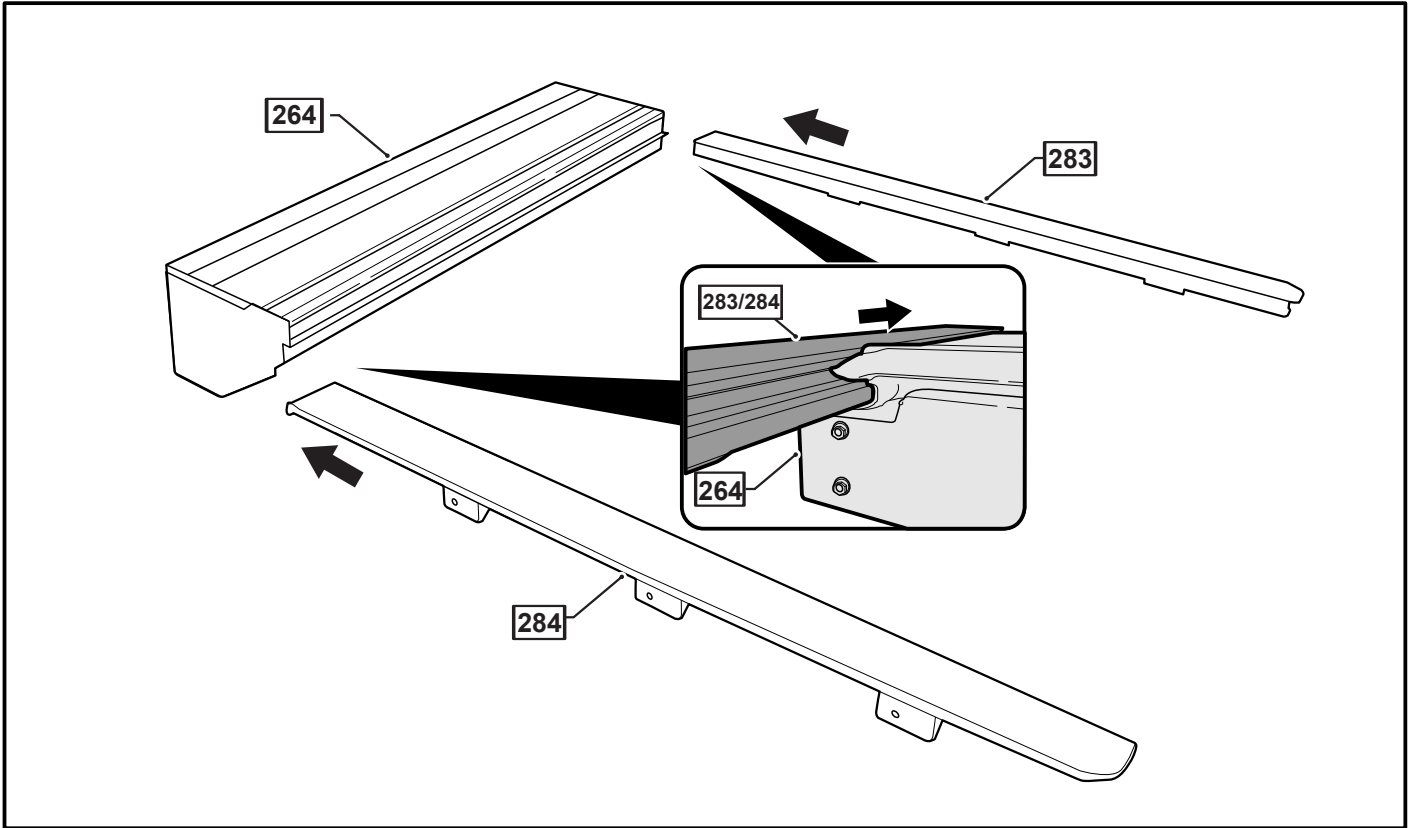
– Step 5



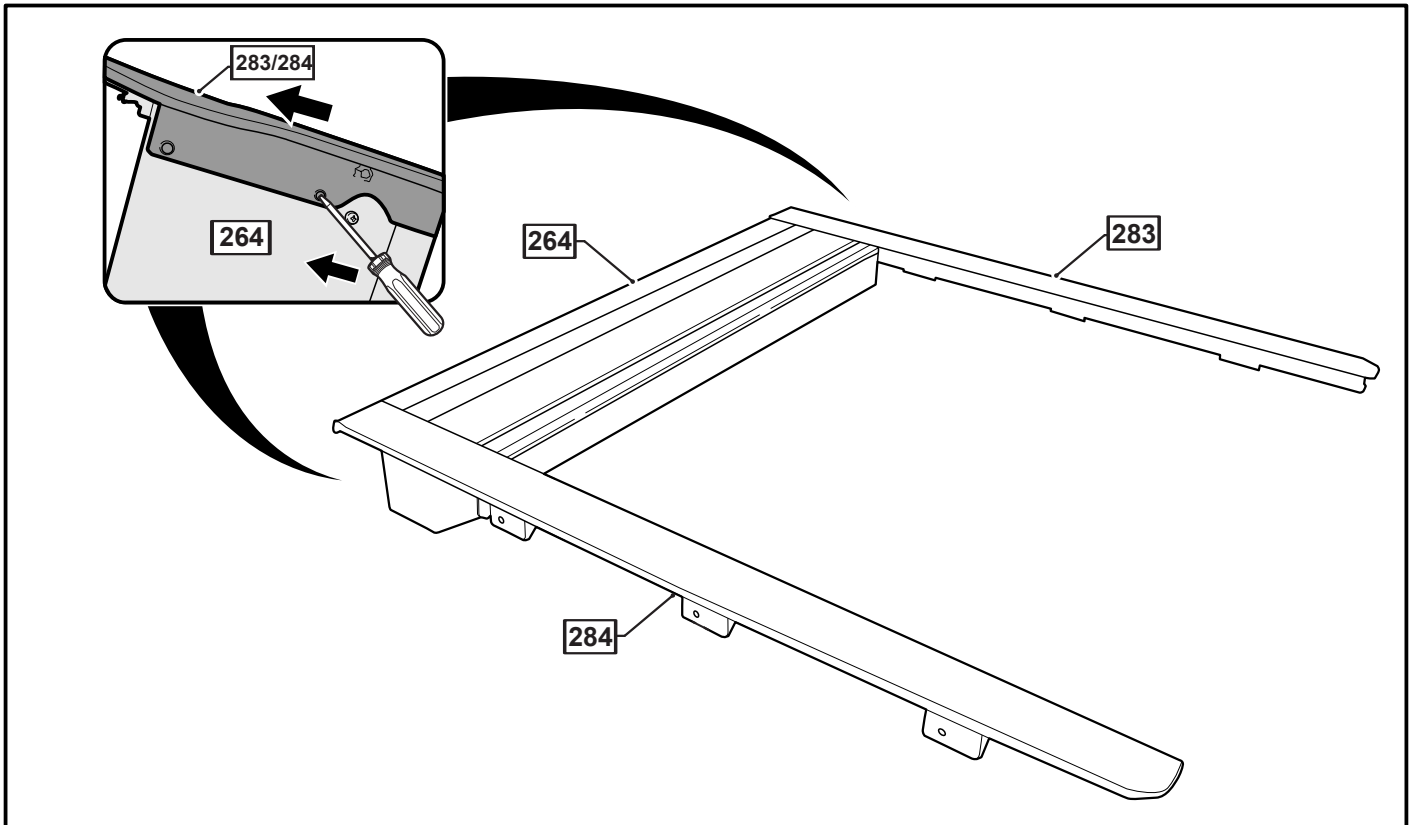
– Step 6



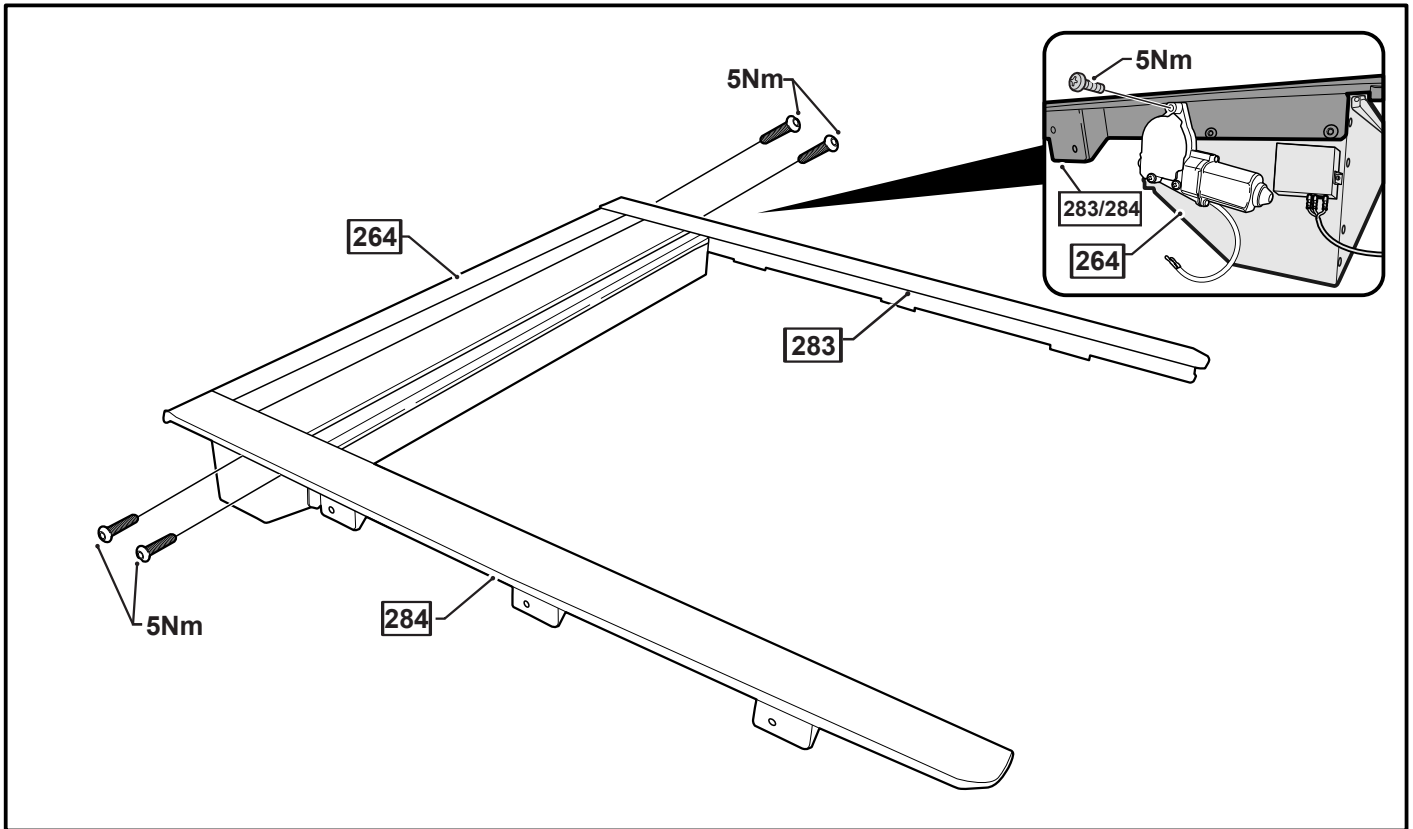
– Step 7



– Step 8

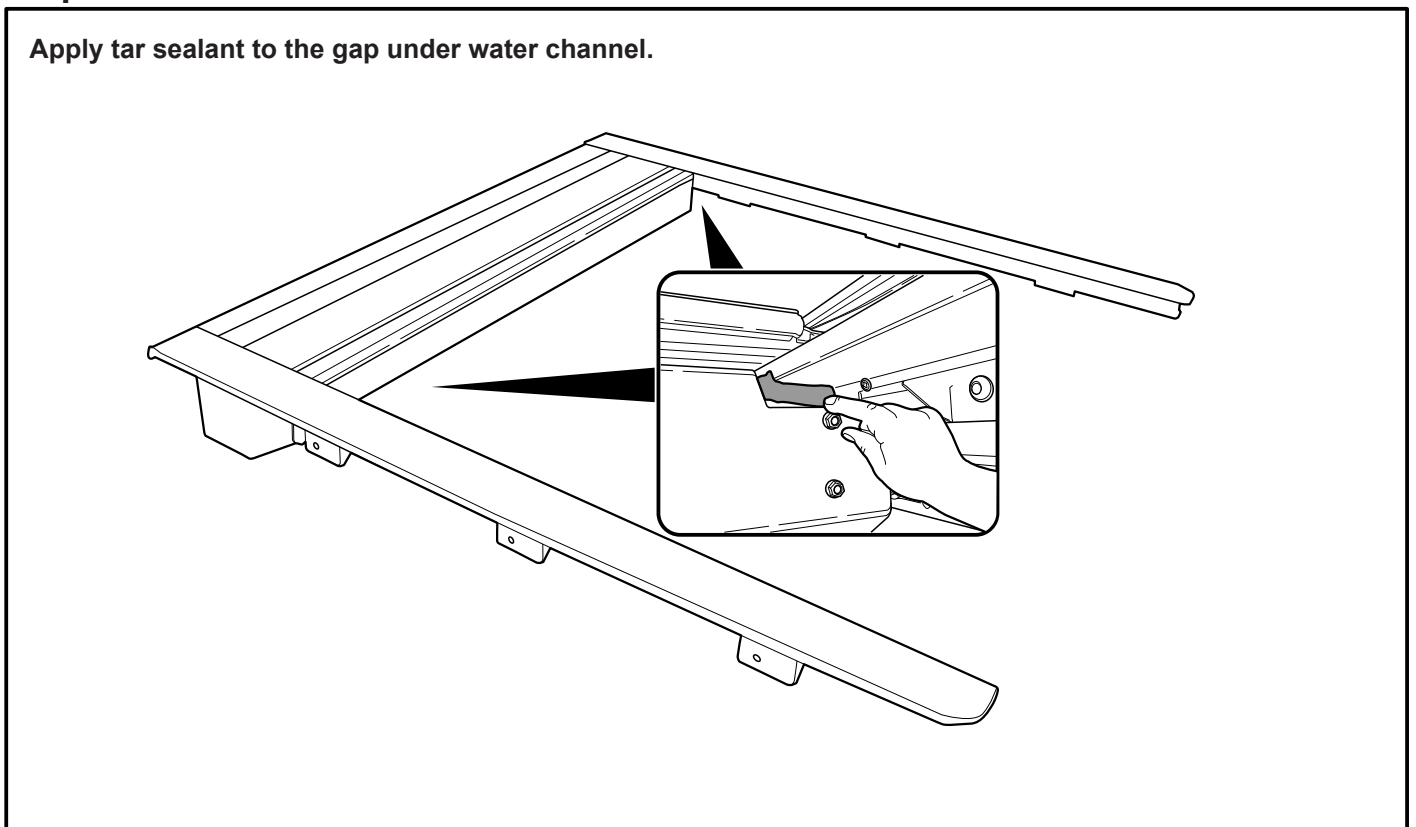


– Step 9



– Step 10

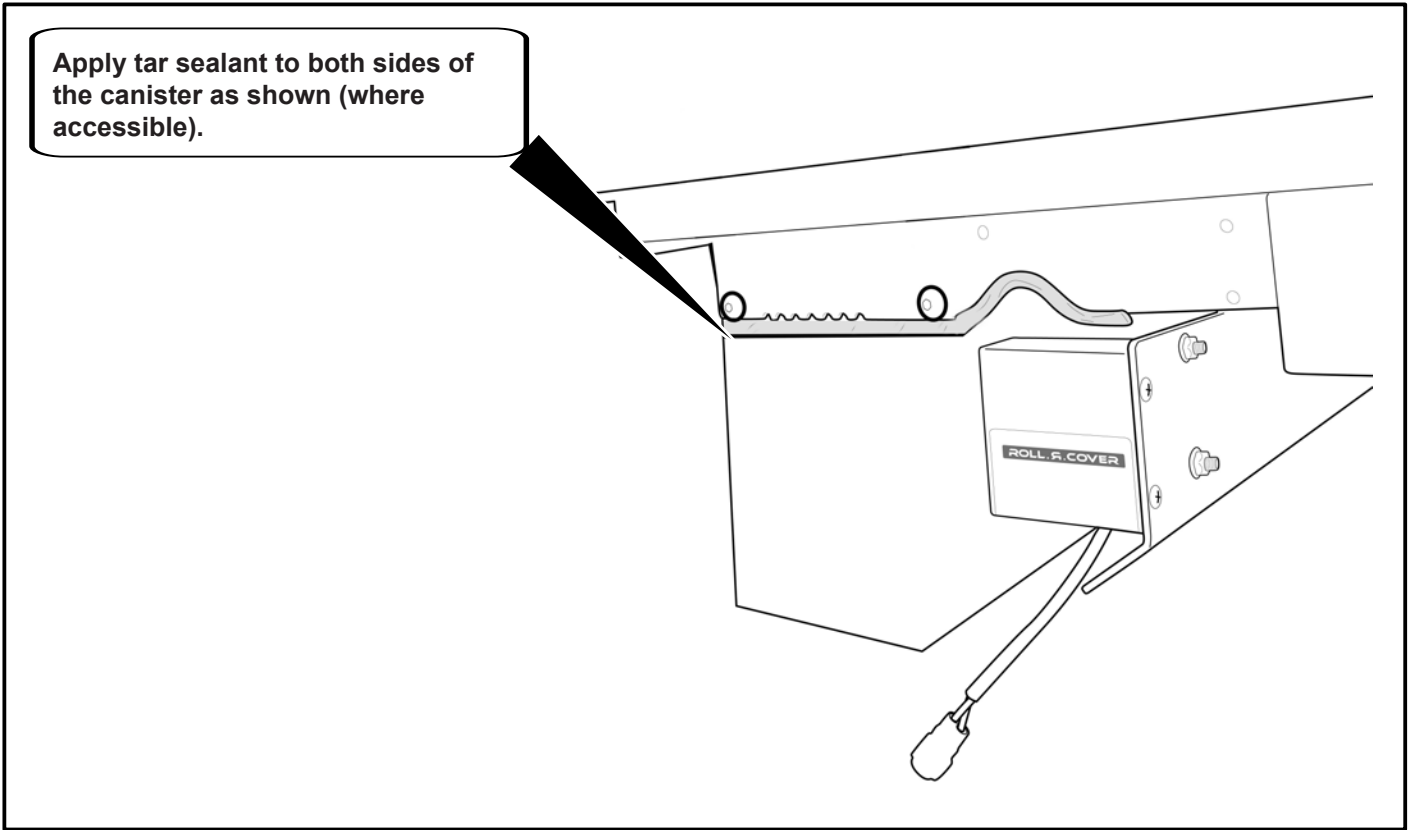
Apply tar sealant to the gap under water channel.



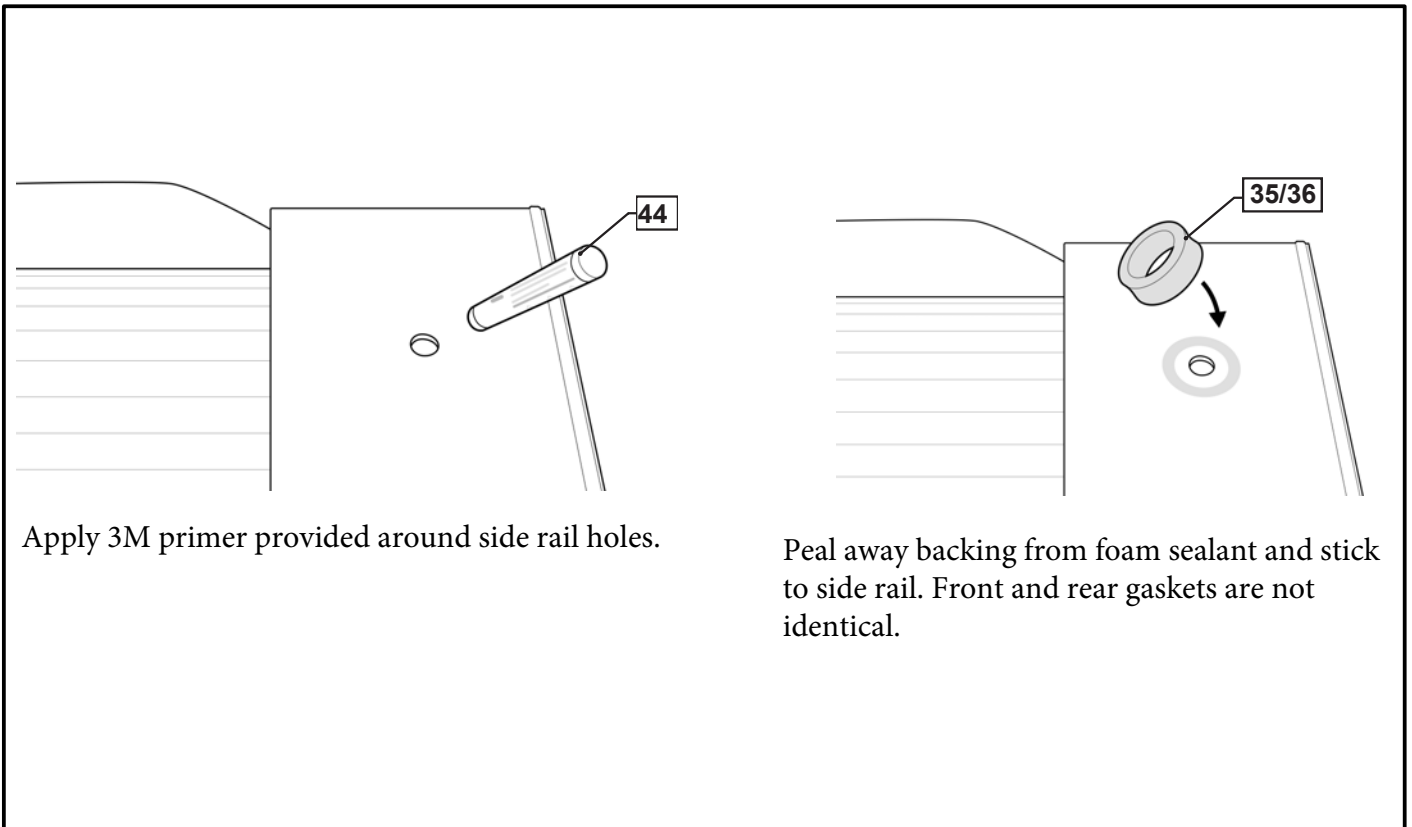


– Step 11

Apply tar sealant to both sides of the canister as shown (where accessible).



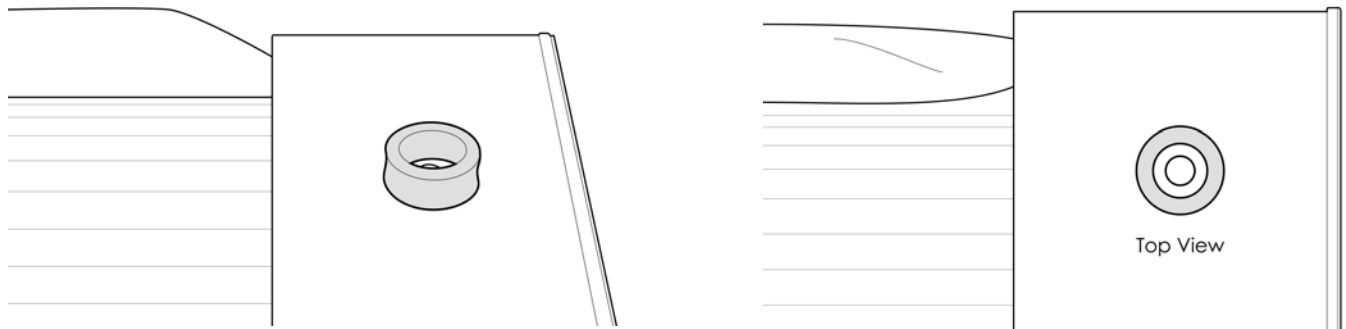
– Step 12





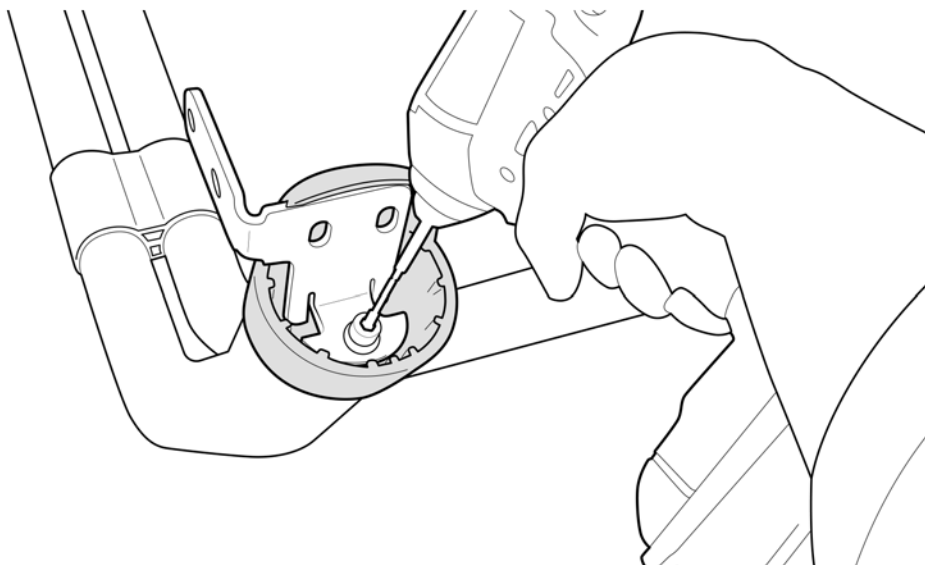
## – Step 13

Repeat on all holes.



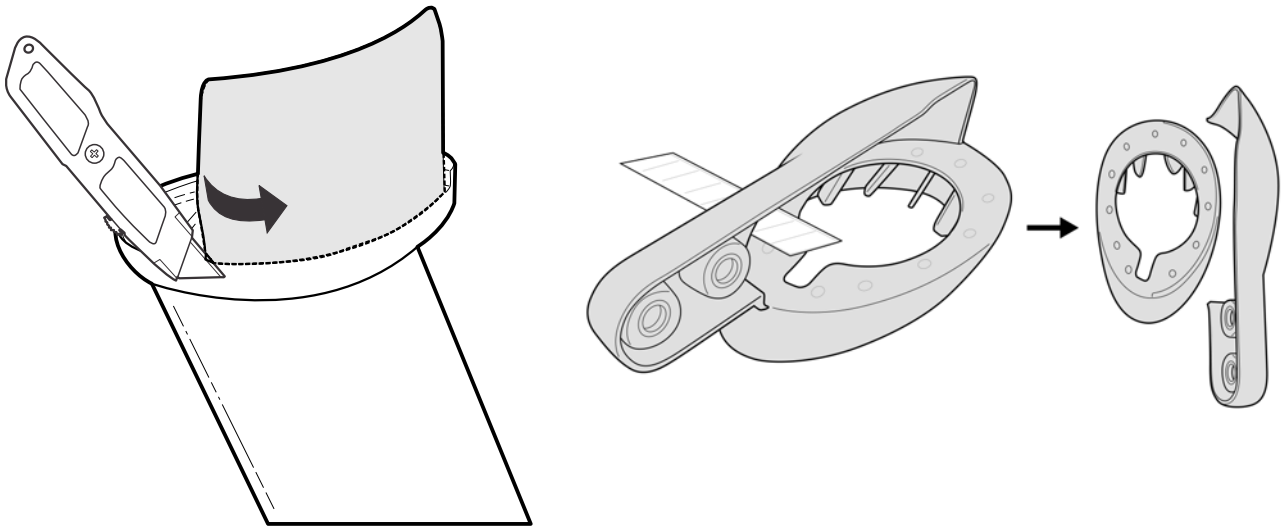
## – Step 14

Remove all factory brackets from sports bars. Repeat on all four legs.



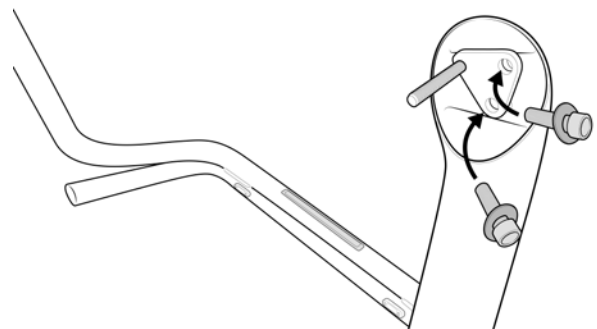
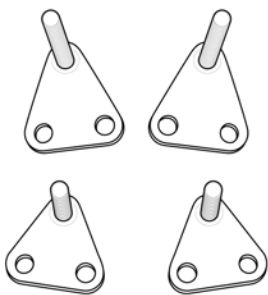
## -Step 15

Trim rubber feet cup excess so the base is left flat. Repeat on all four legs.



## -Step 16

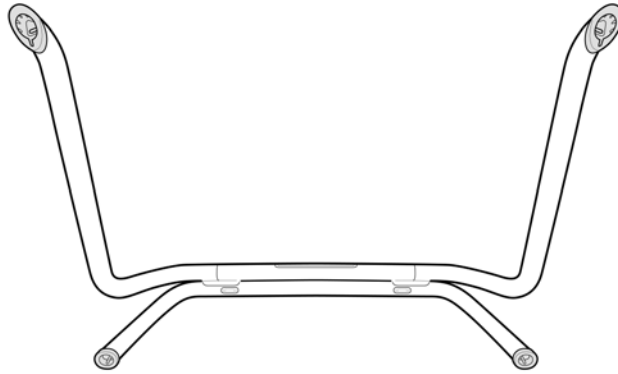
Fit Sports bar brackets using factory bolts



Note - Front and rear brackets are not identical.

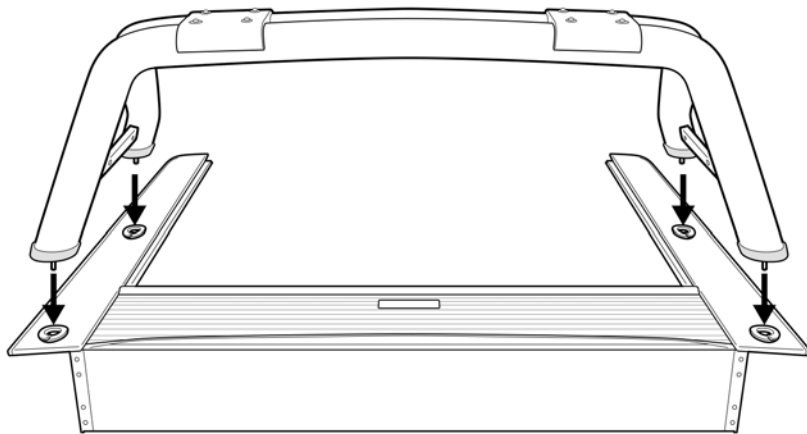
**– Step 17**

Place previously trimmed rubber cups back on the sports bars.



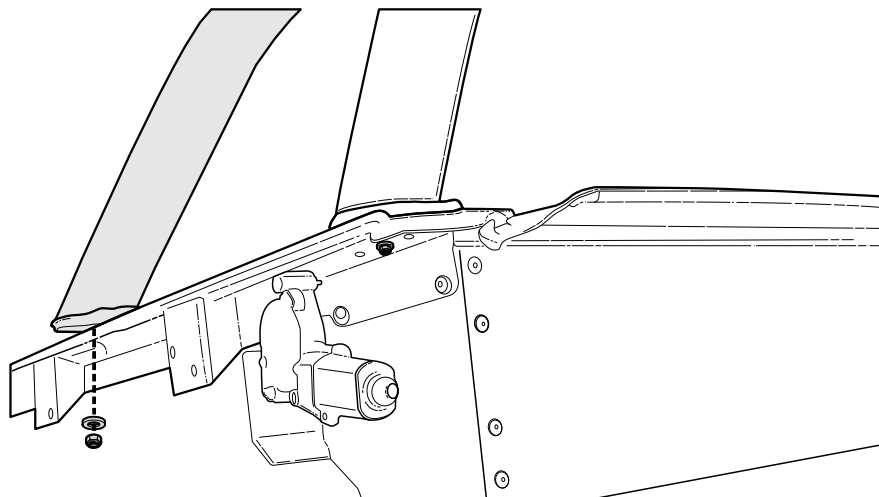
**– Step 18**

**Place Sportsbar on Roll R cover**



## – Step 19

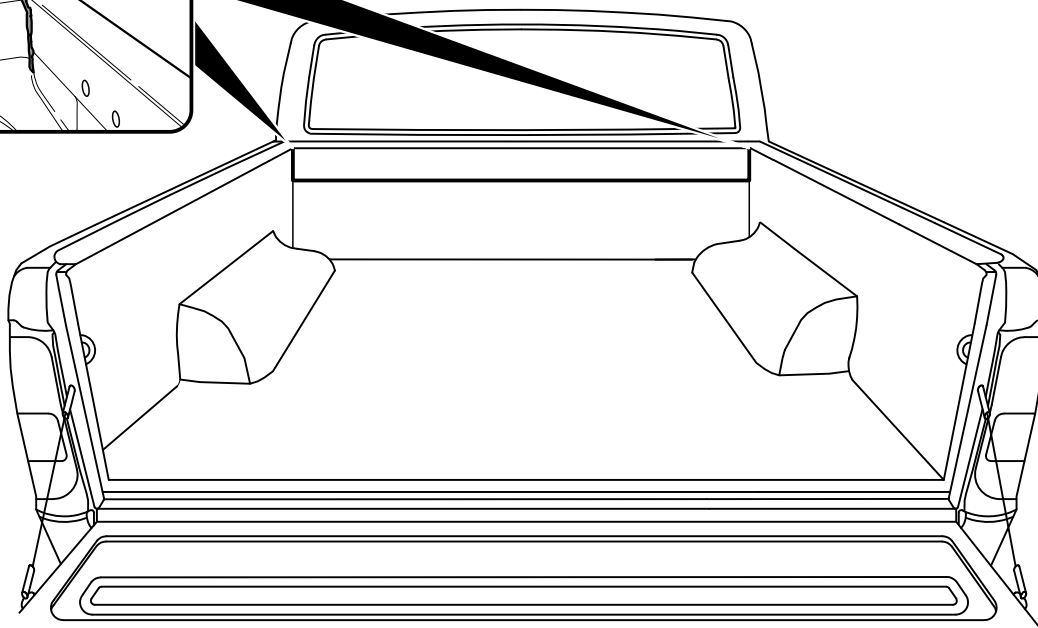
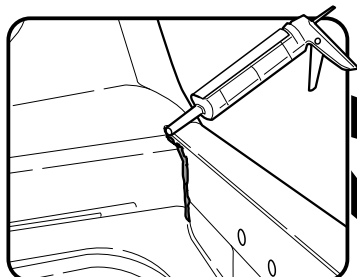
Place flat washer  
and tighten with the  
nylock nut provided.  
Repeat on all four  
legs.



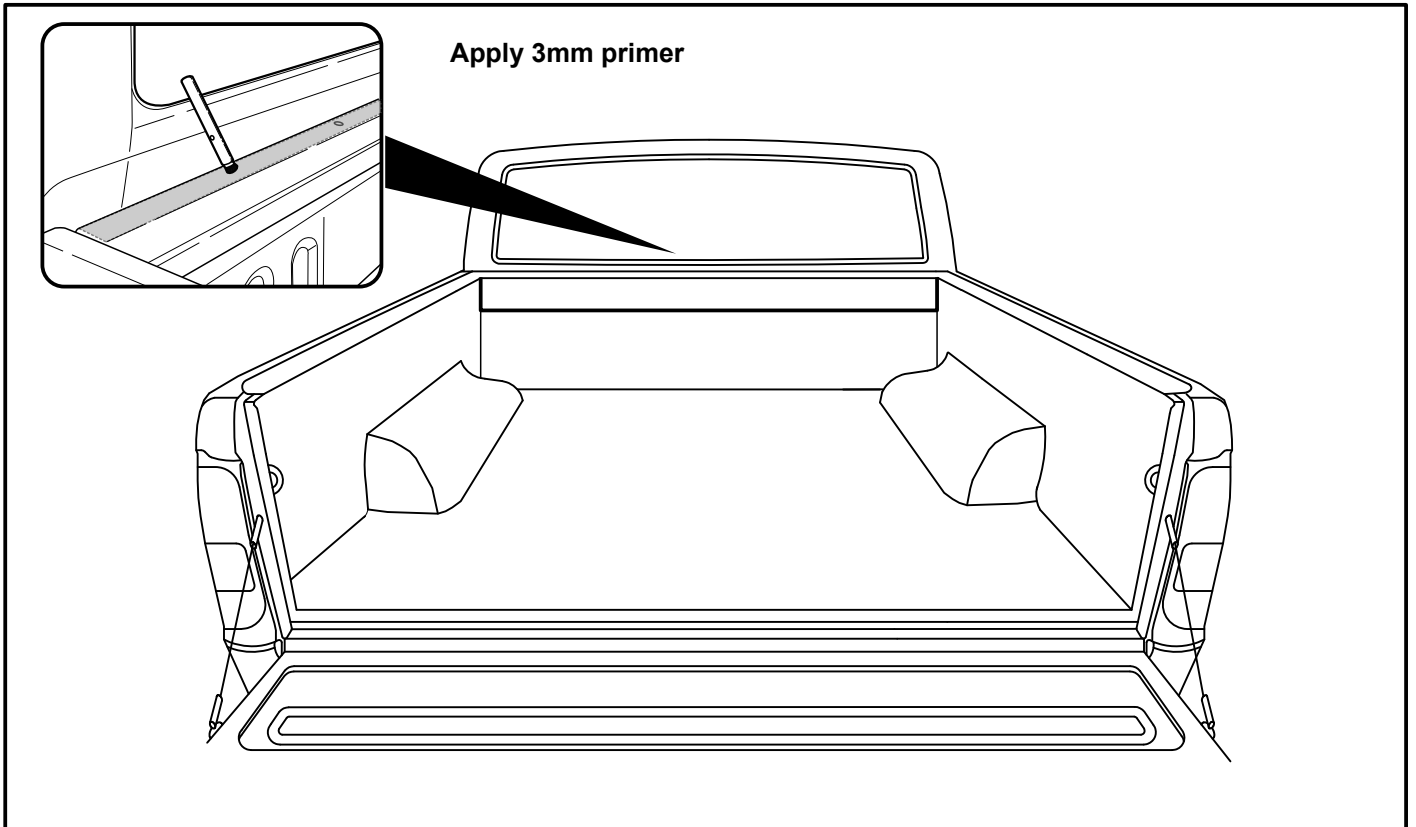
Note - Do not overtighten

## – Step 20

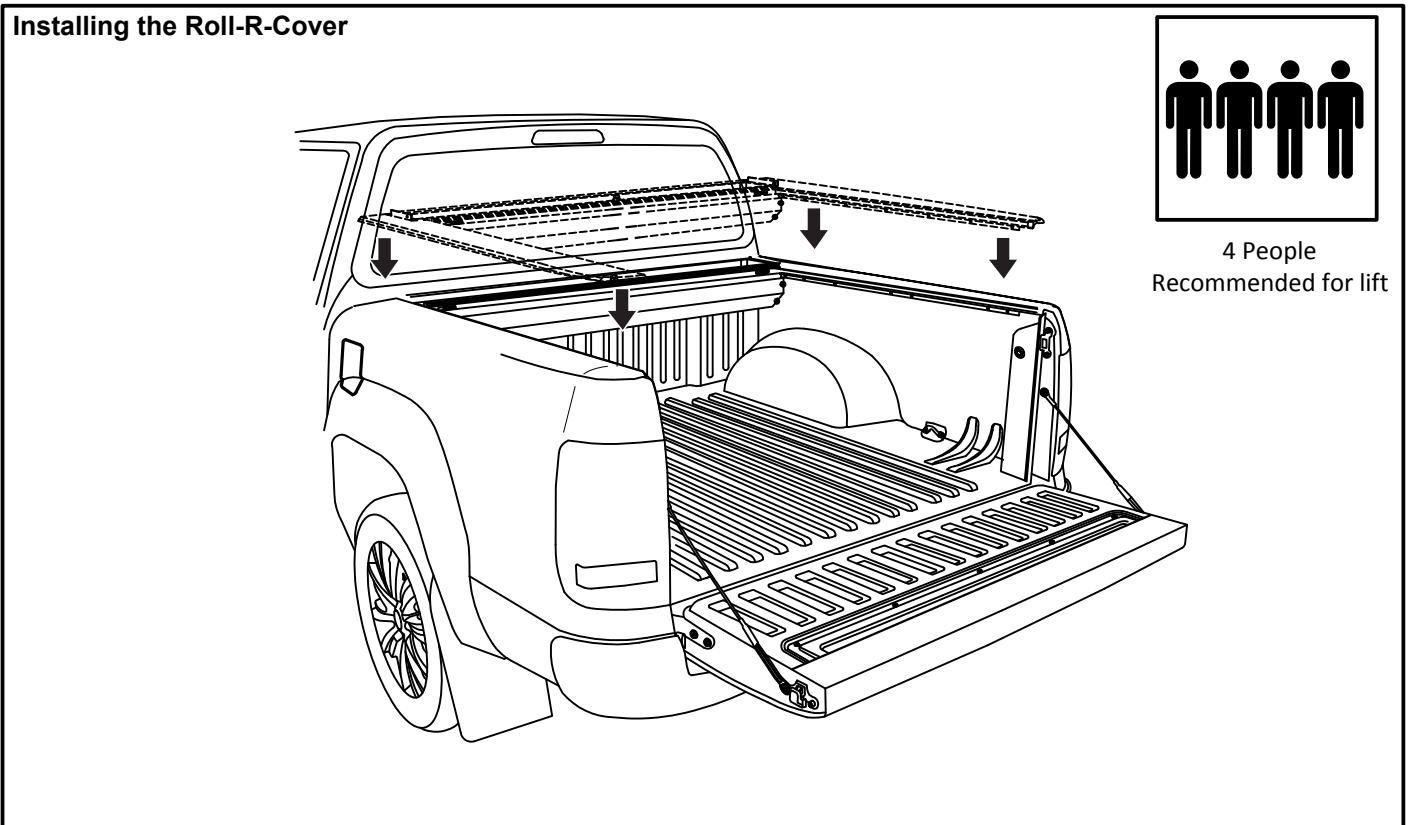
Seal any exposed gaps.



— Step 21 —

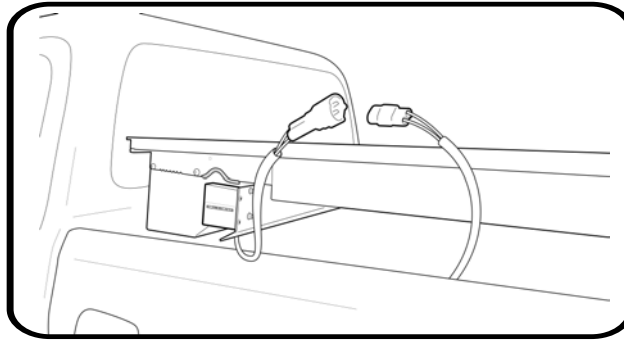
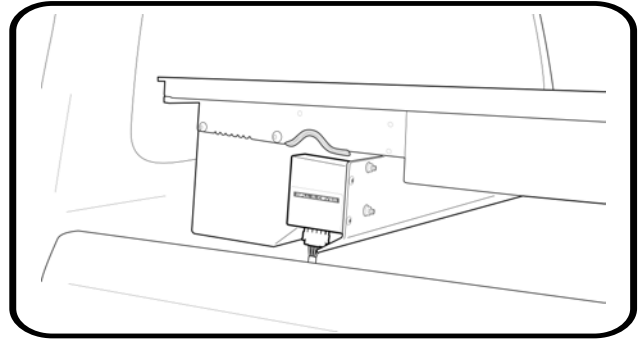
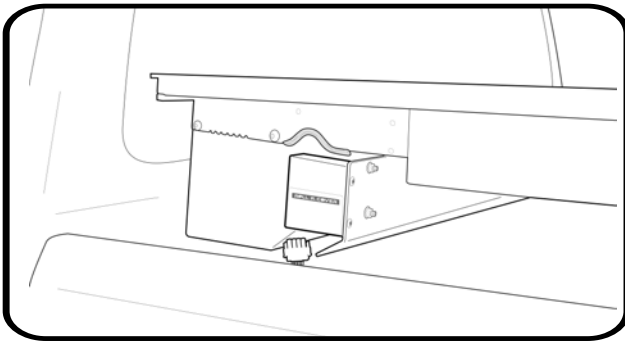


— Step 22 —

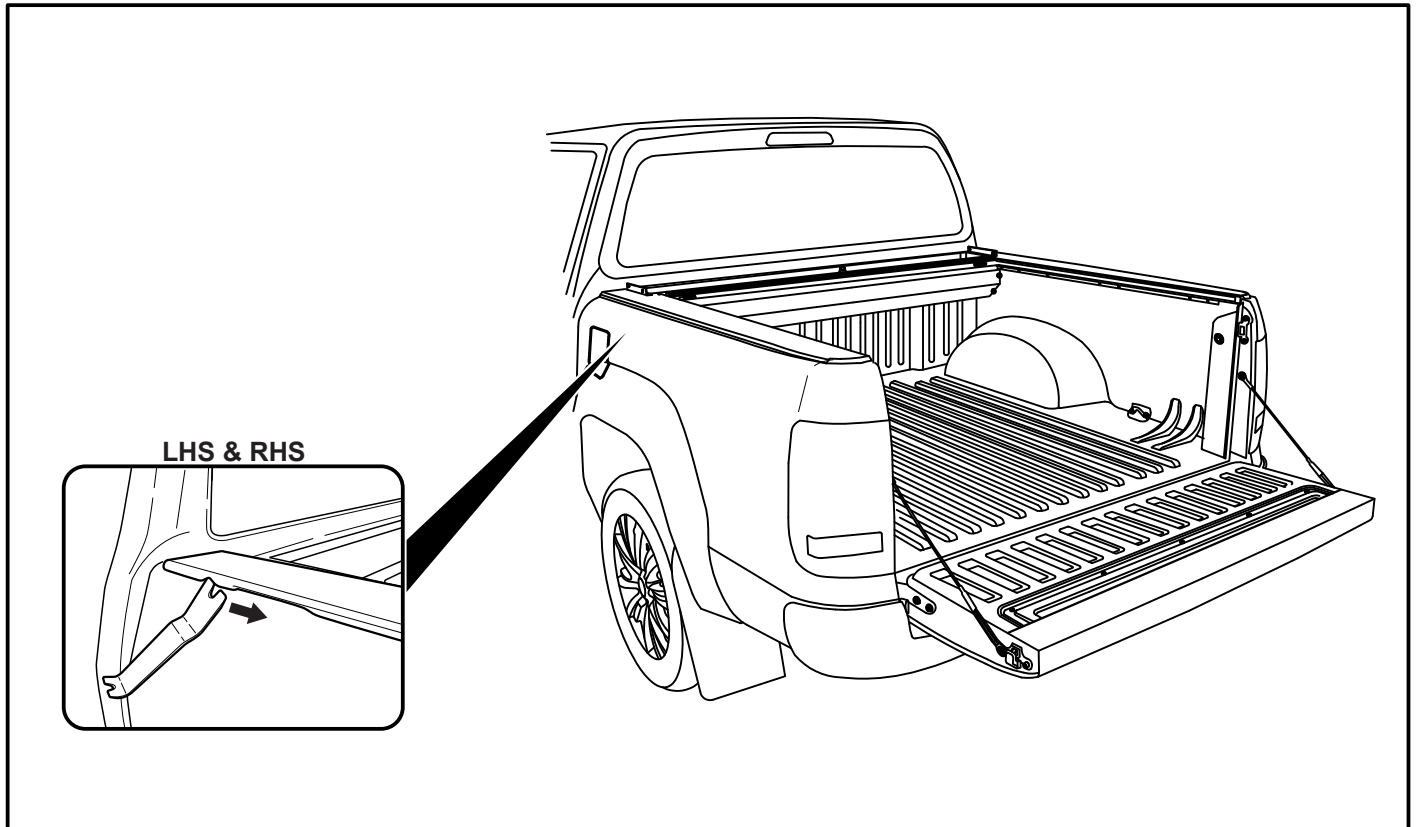


– Step 23

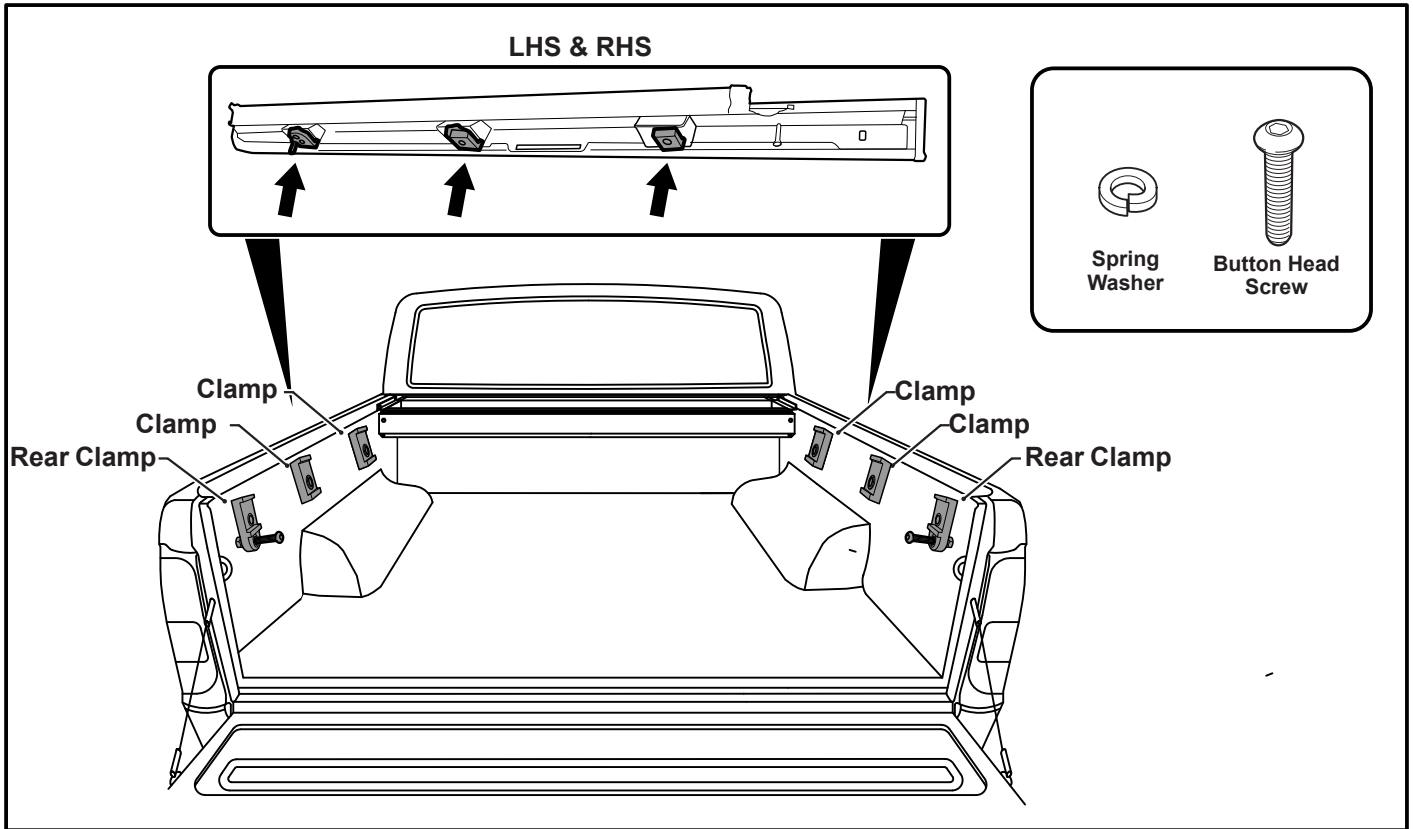
Before dropping the Roll R cover into place on the tub, connect all relevant connections or plugs to the receiver and motor plug connection.



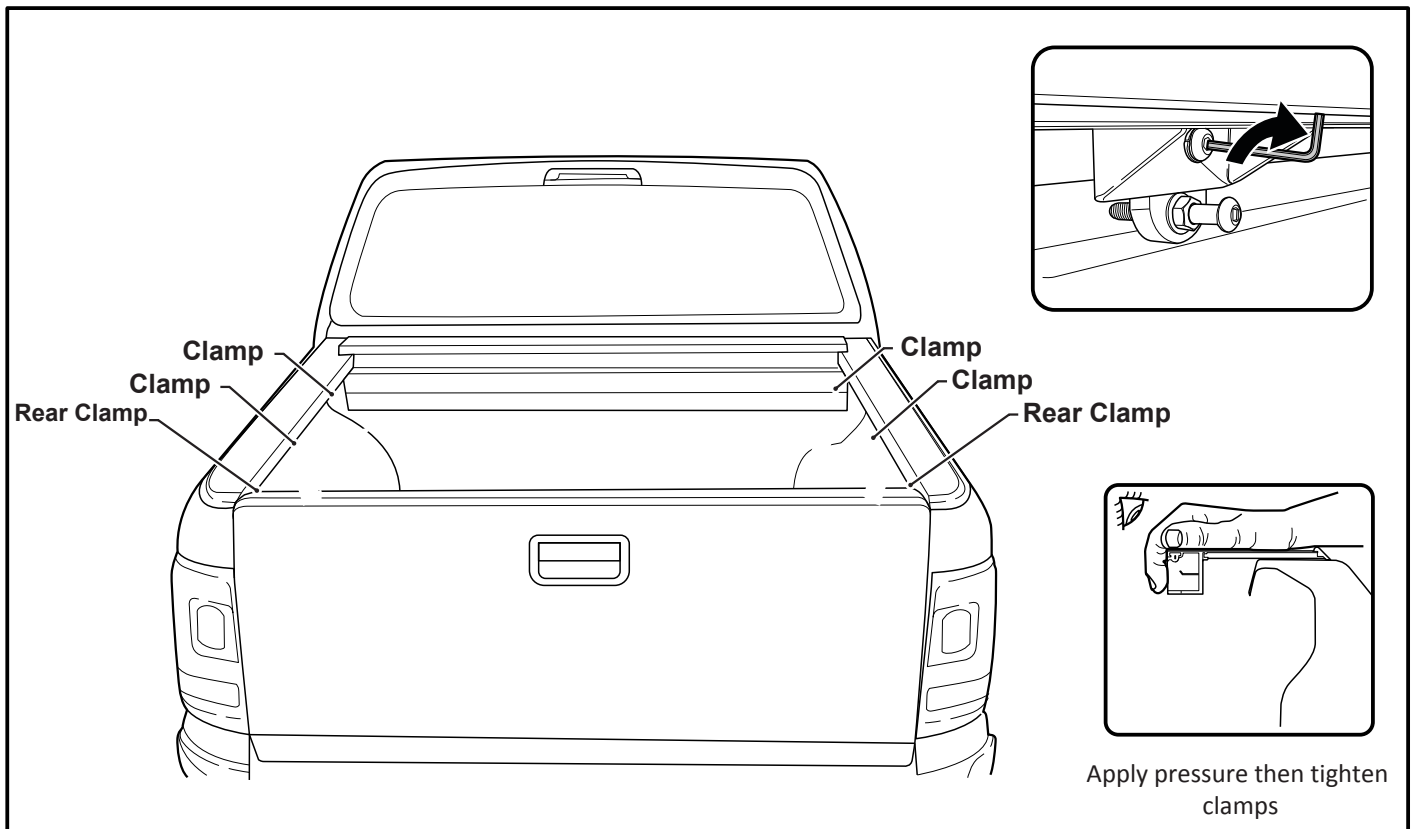
– Step 24



Step 25



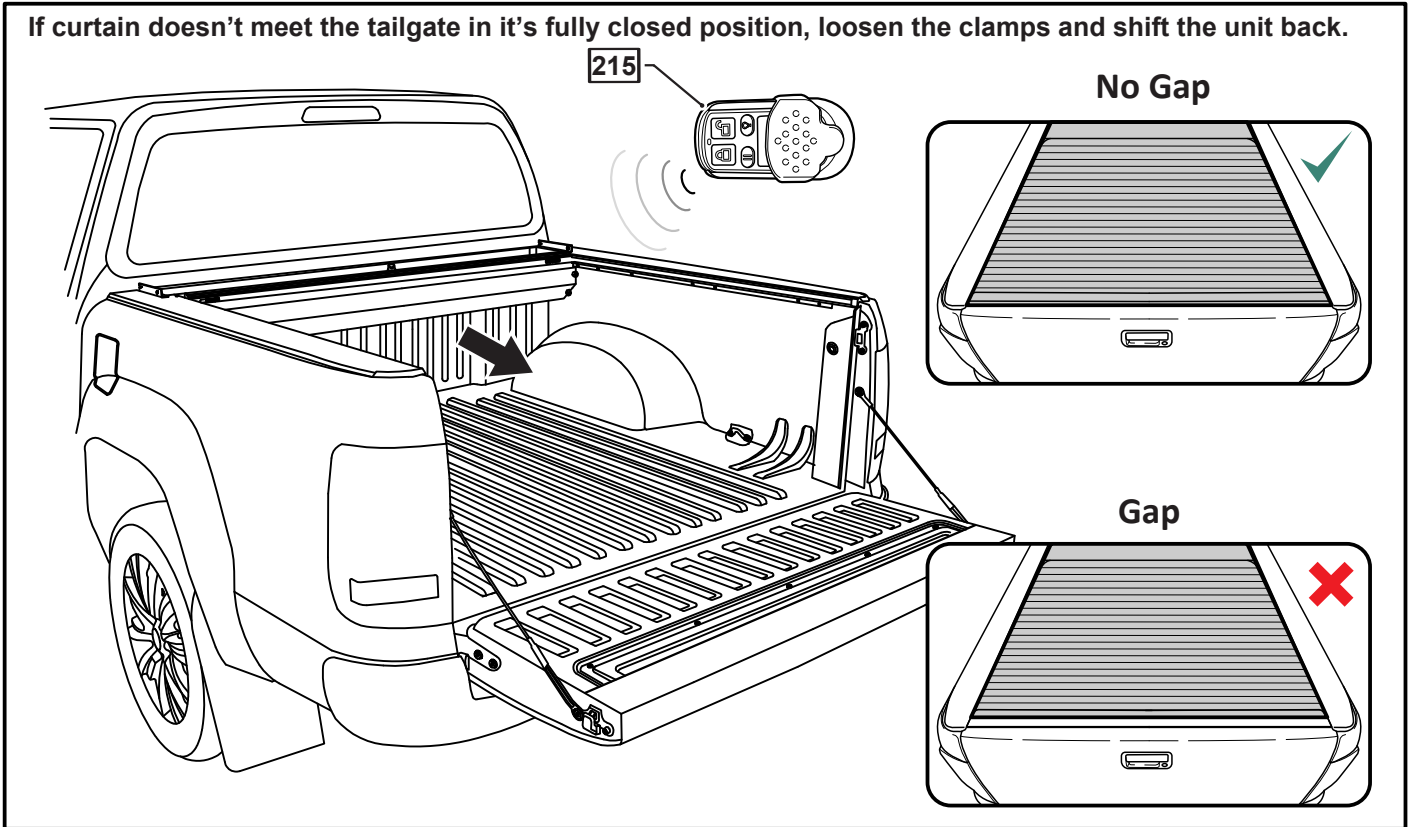
Step 26



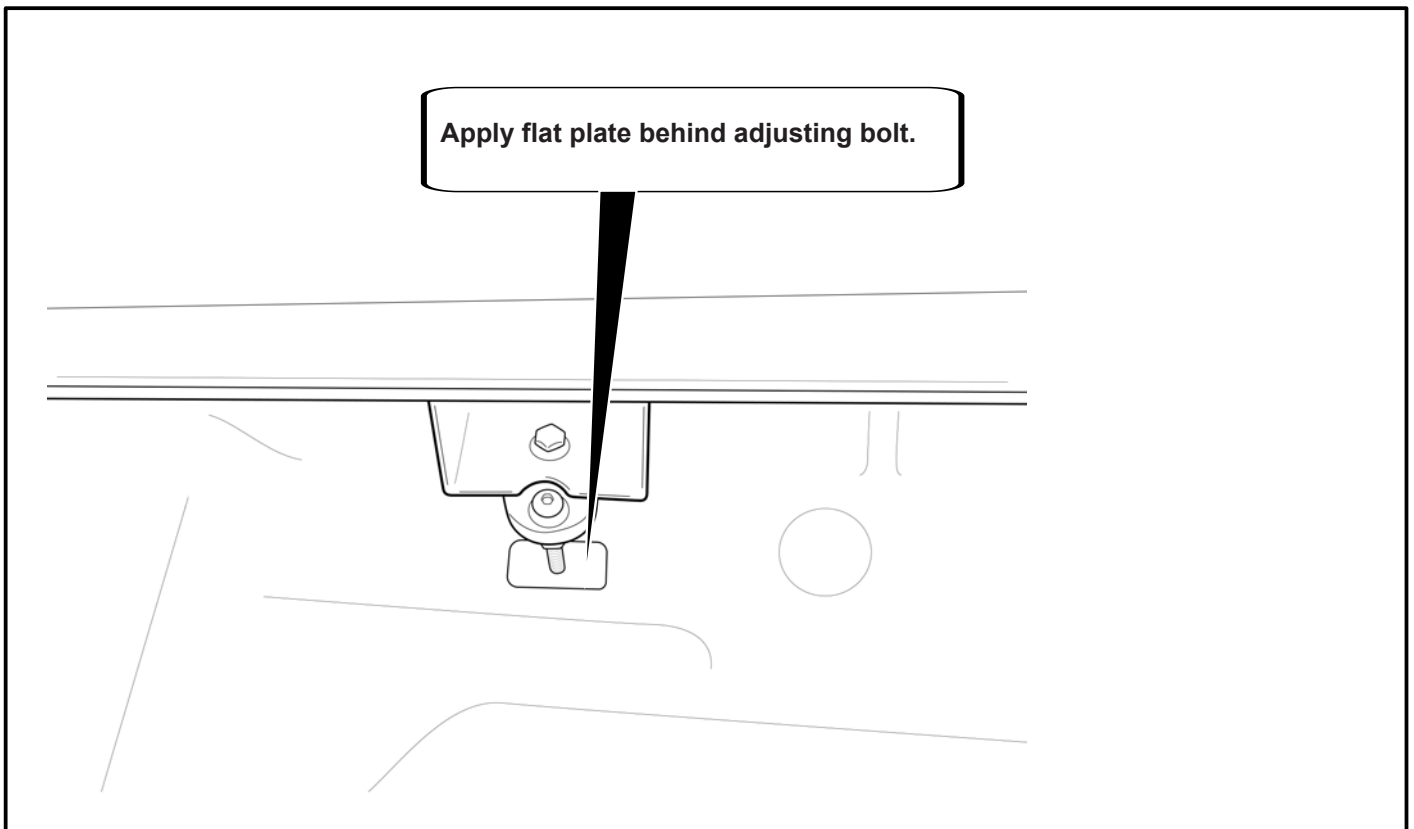


– Step 27

If curtain doesn't meet the tailgate in it's fully closed position, loosen the clamps and shift the unit back.

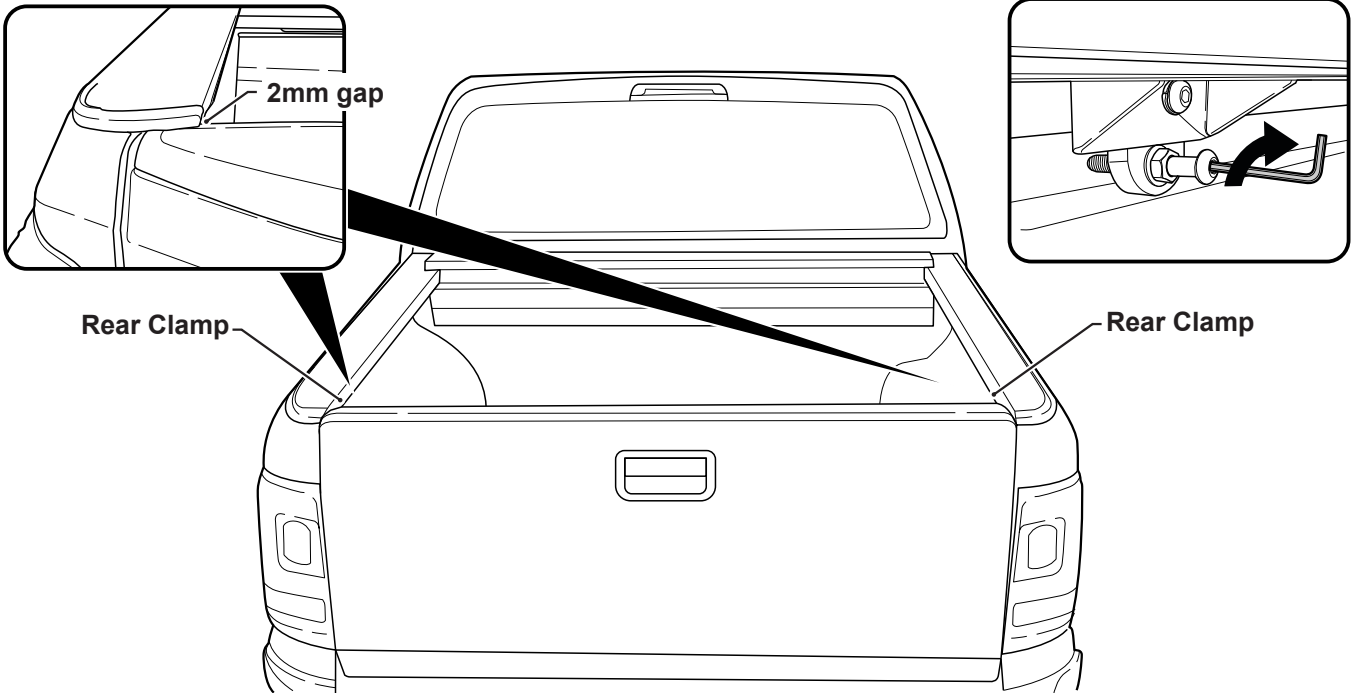


– Step 28



— Step 29 —

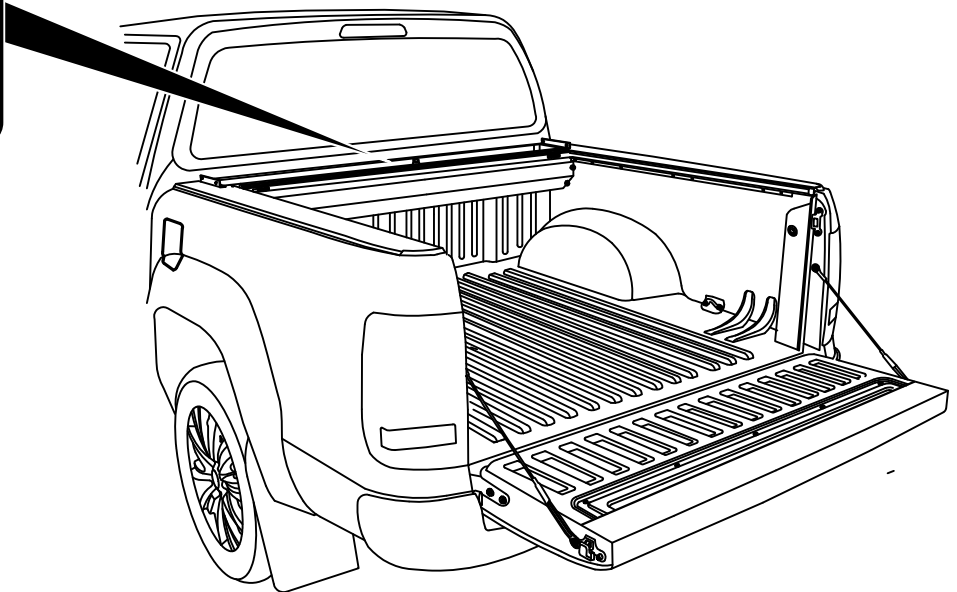
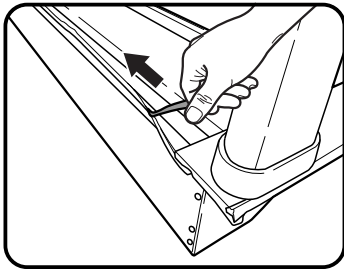
Side rail rubber must have a 2mm gap from the top of the tailgate in the closed position.



Rear clamp has an adjustment bolt. Drive the bolt in to lift the rear of the side rail till it clears the tailgate.

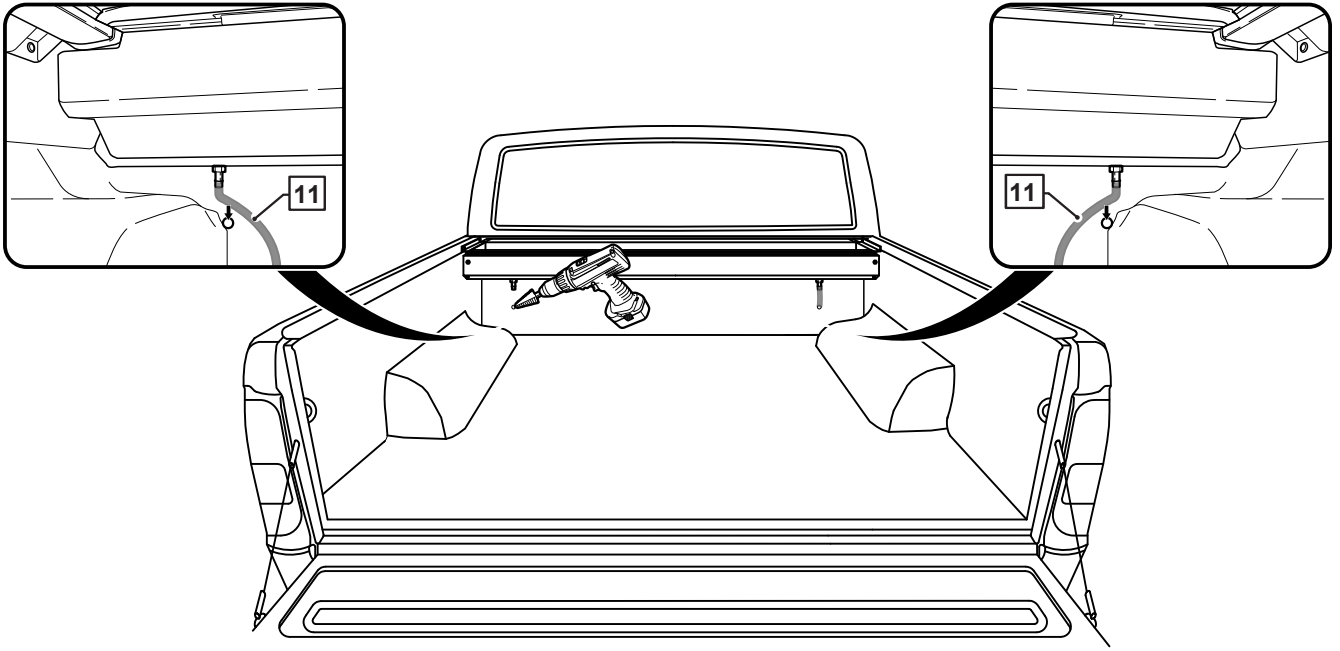
— Step 30 —

Peel double sided tape backing off and stick to vehicle.



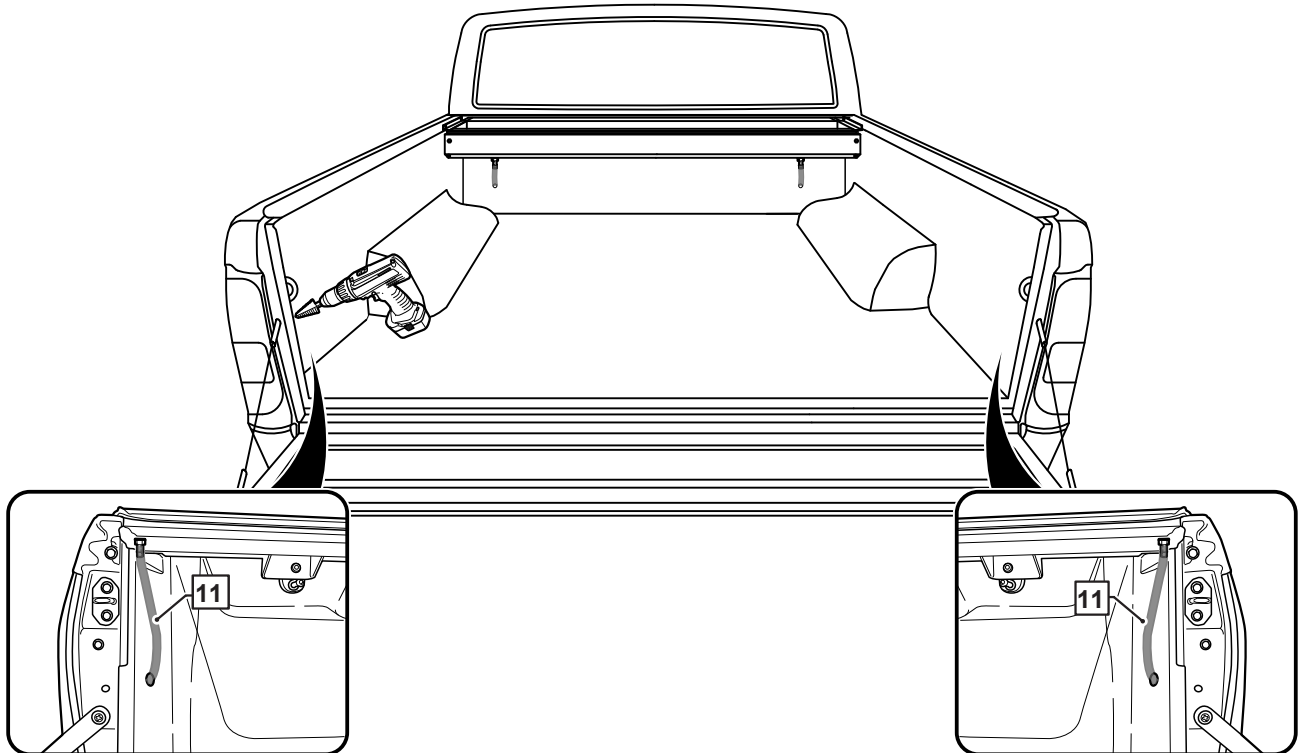
– Step 31

Drill through bed and liner (check for obstructions).



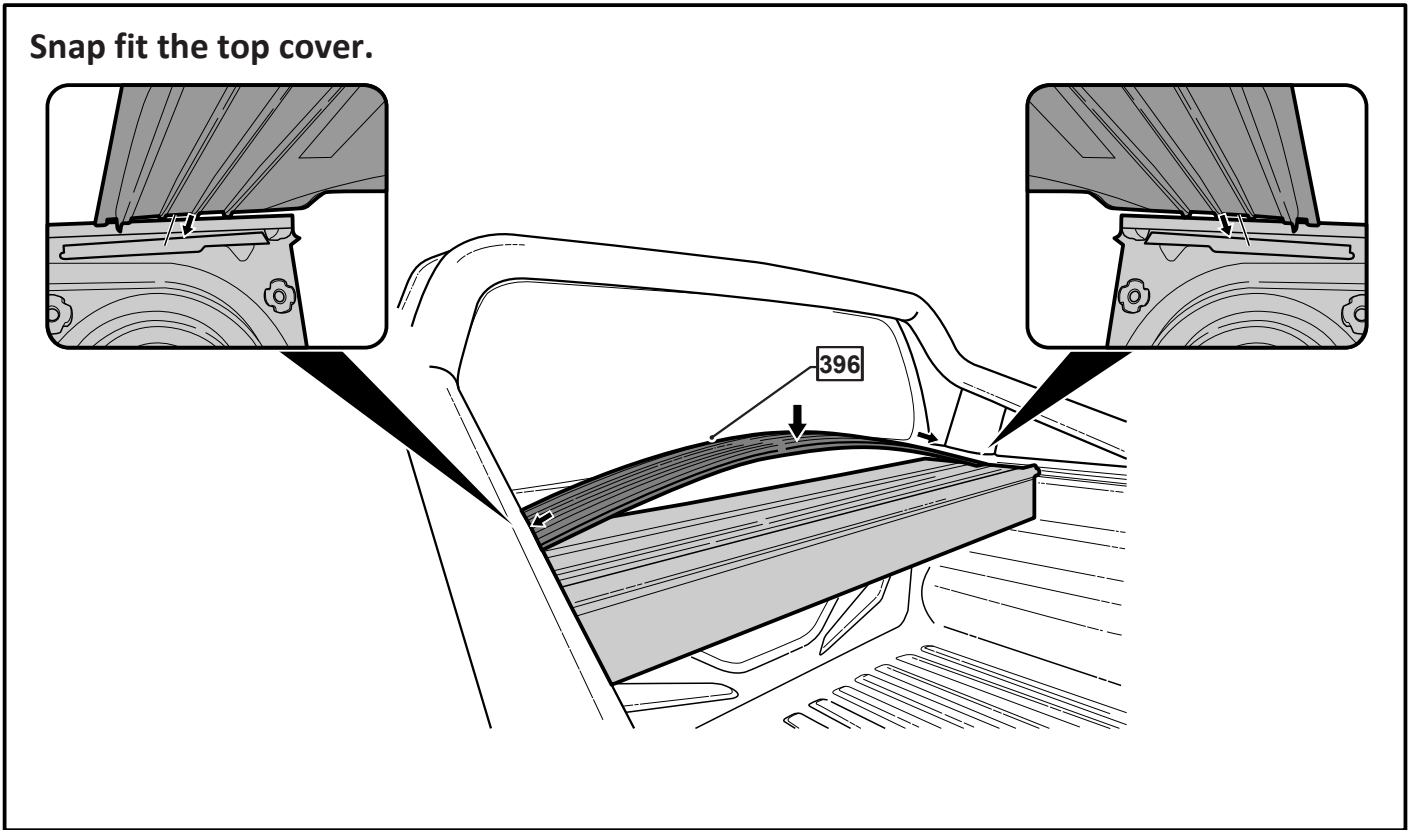
– Step 32

Remove the tail light to check for obstructions before drilling

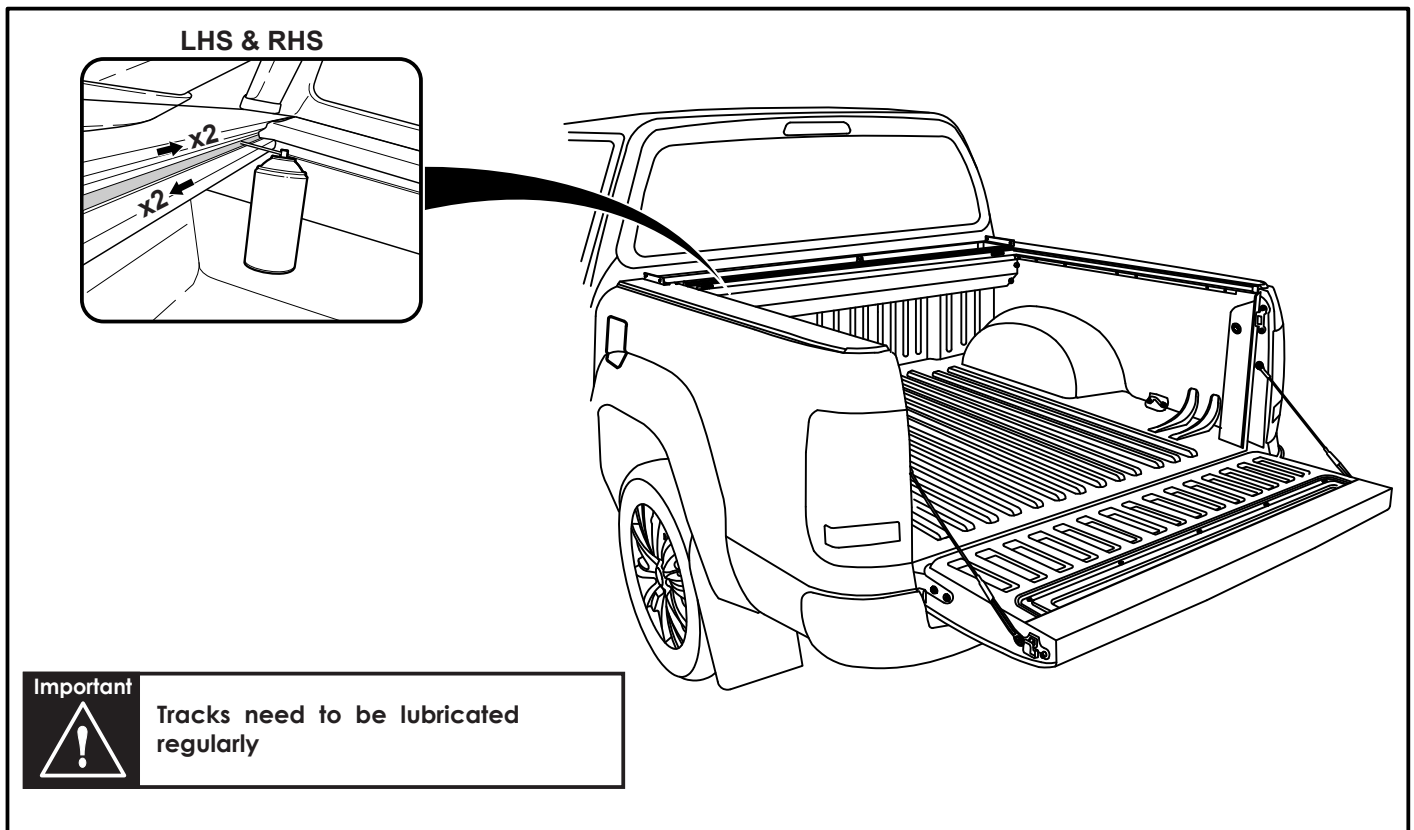


– Step 33

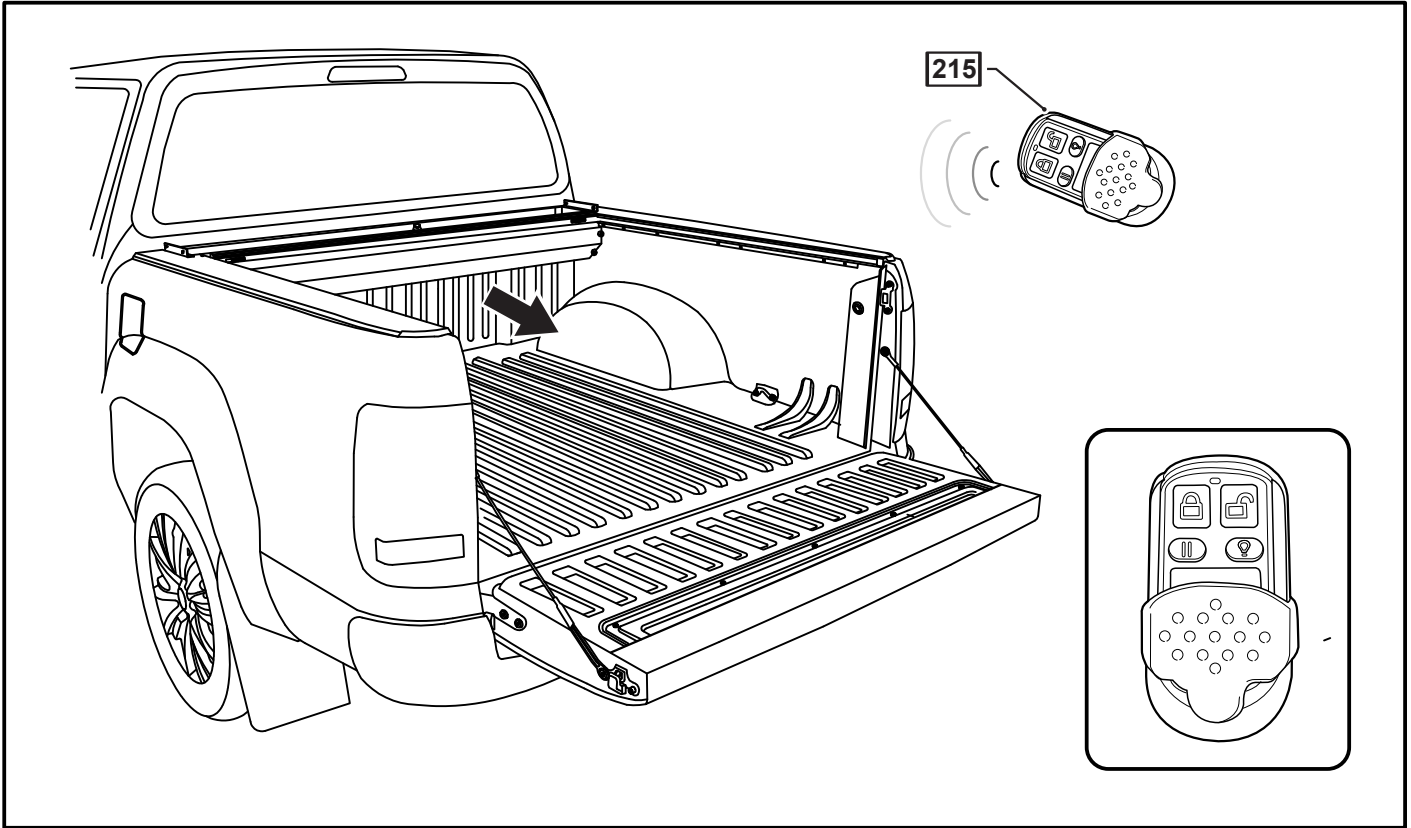
Snap fit the top cover.



– Step 34



– Step 35



– Step 36

**Important**



You may open tailgate when Roll R Cover is in closed position, however you **MUST NOT** close the tailgate when Roll R Cover curtain is in the fully closed position.

## WARNINGS!

[www.hsputelids.com](http://www.hsputelids.com)

 <b>NO STANDING</b>	<b>ENSURE</b>  <b>LOAD IS SECURE</b>	 <b>CHECK GLIDES</b> <b>OIL REGULARLY</b>	 <b>6Nm</b> <b>CHECK CLAMPS</b> <b>AND TIGHTEN</b>	 <b>kg</b> <b>DO NOT PLACE</b> <b>LOAD ON COVER</b>	<b>CHECK DRAIN</b>  <b>CLEAN</b> <b>CANISTER</b>	 <b>MECHANICAL</b> <b>HAZARD</b>	<b>NO PEOPLE OR</b>  <b>ANIMALS UNDER</b> <b>ROLL TOP</b>
------------------------	--	---	---	--	---	--	--

E. & O.E. This document is copyright and must not be used except as permitted below or under the Copyright Act 1968. You may reproduce and publish this document in whole or in part for your or your organisation's own personal or internal compliance, educational or non-commercial purposes. You must not alter or amend this document in any way. You must not reproduce or publish this document for commercial gain without the prior written consent of the copyright owner.