



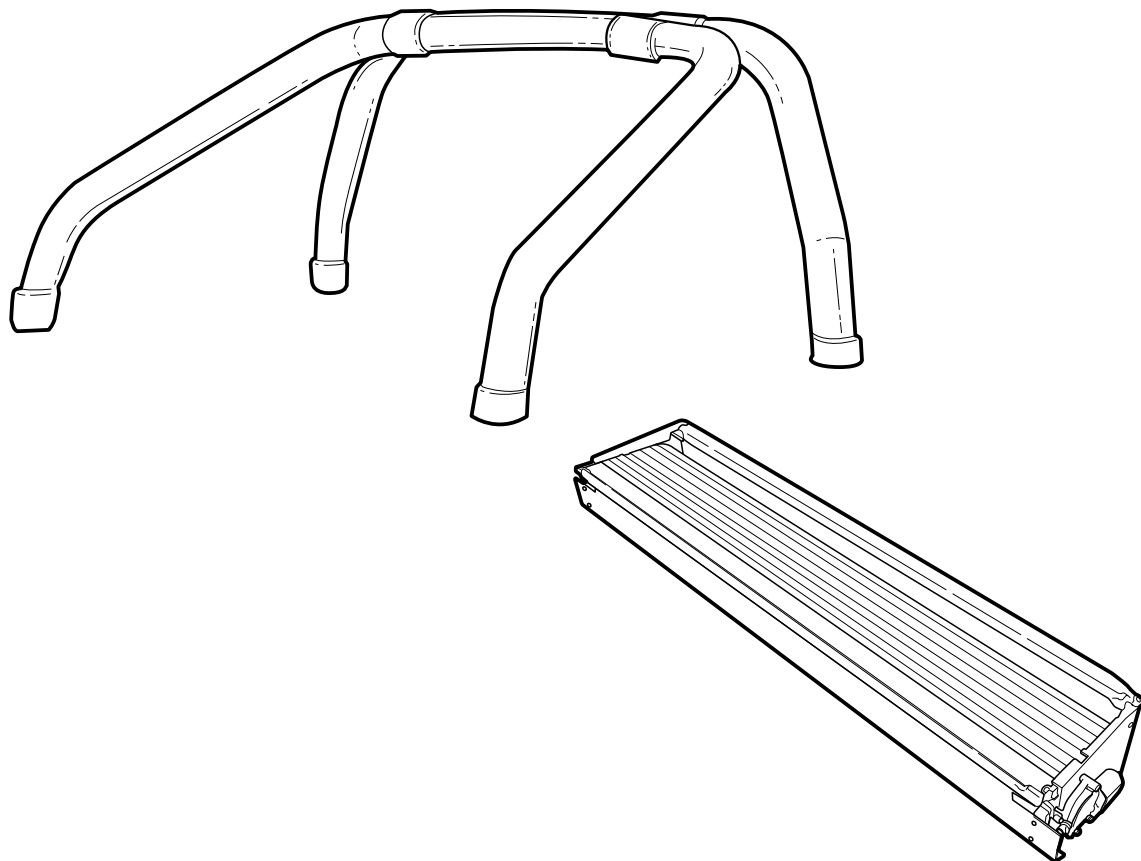
[WWW.HSPUTELIDS.COM](http://WWW.HSPUTELIDS.COM)

Part No: C52R

Fitting Time: 180 minutes

**ROLL.Я.COVER**

To suit Holden RG colorado Space Cab with sports bars 2016+



Roll-R-Cover  
Fitting Instructions

## – General Notes

- Read through the fitting instructions before installation of accessory.
- Always install the Roll R Cover Wiring Kit following the workshop manual and fitting instructions provided. Failure to do so may cause damage to the vehicle or the accessory.
- Ensure all recyclable components and packaging are discarded and recycled following local recycling regulations.
- It is always recommended that the Roll R Cover Wiring Kit is fitted by a qualified automotive technician.
- Safely store and protect any removed vehicle components.

## – Safety Notes

- Check that all work practices comply with safety standards.
- Please wear appropriate clothing and use safety equipment.



## – Fitting Time



180 minutes

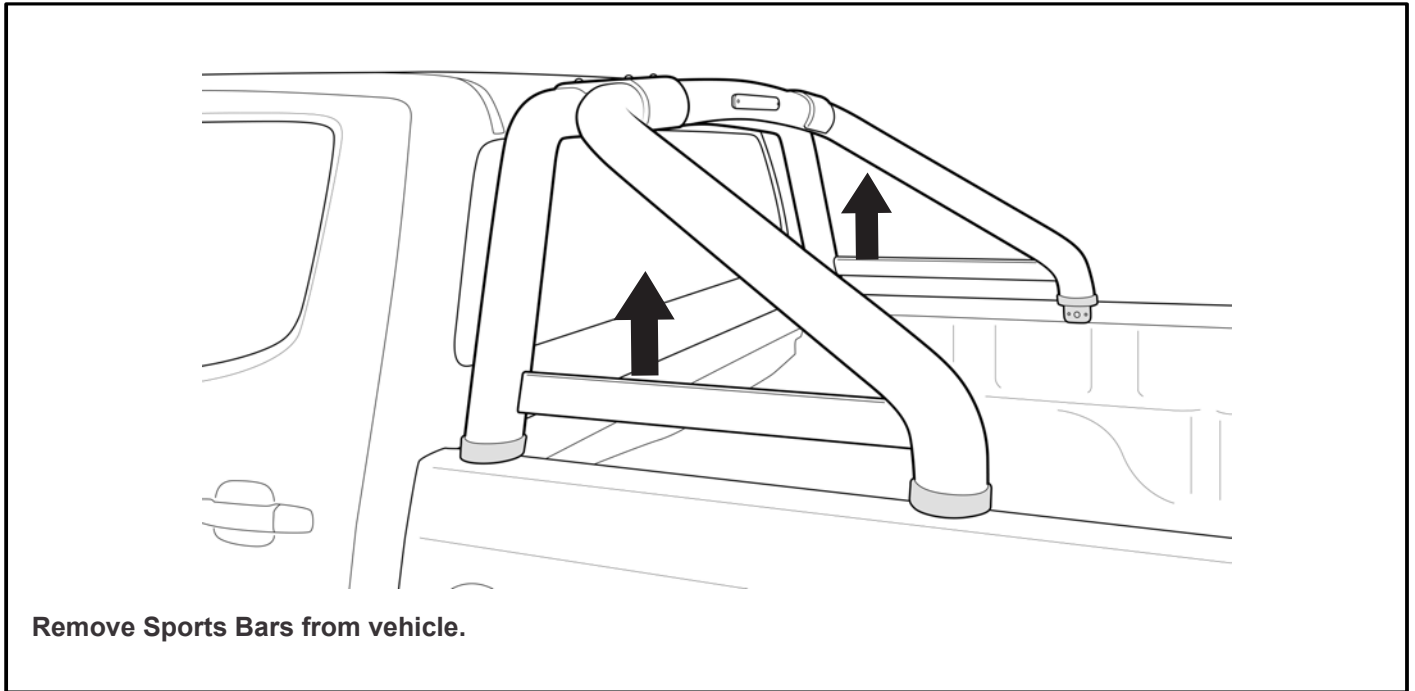
## – Parts Supplied

C52R		EXTRA CAB HOLDEN COLORADO RG - ROLL R COVER WITH SPORTS BAR MOUNTING KIT		
PART DESCRIPTION	PART NUMBER	QUANTITY/LENGTH	CHECK	
C52R FITTING INSTRUCTIONS	366*	1		
LUBRICANT PUMP SPRAY	47*	1		
REMOTE	215*	2		
PRIMER STICK	44*	1		
CABLE TIE 4.8X300	217*	10		
ROLL R LOOM	216*	1		
C5R CANISTER AND CURTAIN	268*	1		
C52R RAIL RIGHTHAND	301*	1		
C52R RAIL LEFTHAND	302*	1		
M8 NYLOC NUT	28*	4		
M8 FLAT WASHER	34	2		
C(1) GASKET	229*	2		
C(2) GASKET	230*	2		
BLACK NITRILE FOAM 6MMX25MMX1.6M	391	1		
C42R BRACKET	43	4		
HOSE 600MM	11*	4		
COMPLETE CANISTER COVER	398	1		
OPERATION LEAFLET	66	1		
MAINTENANCE LEAFLET	67	1		
ADJUSTMENT PLATES	31	2		
BLACK PUTTY	3*	8		

# The following steps are for vehicles fitted with a Sportsbar (kit will only work with OE Sportsbar).

## – Step 1

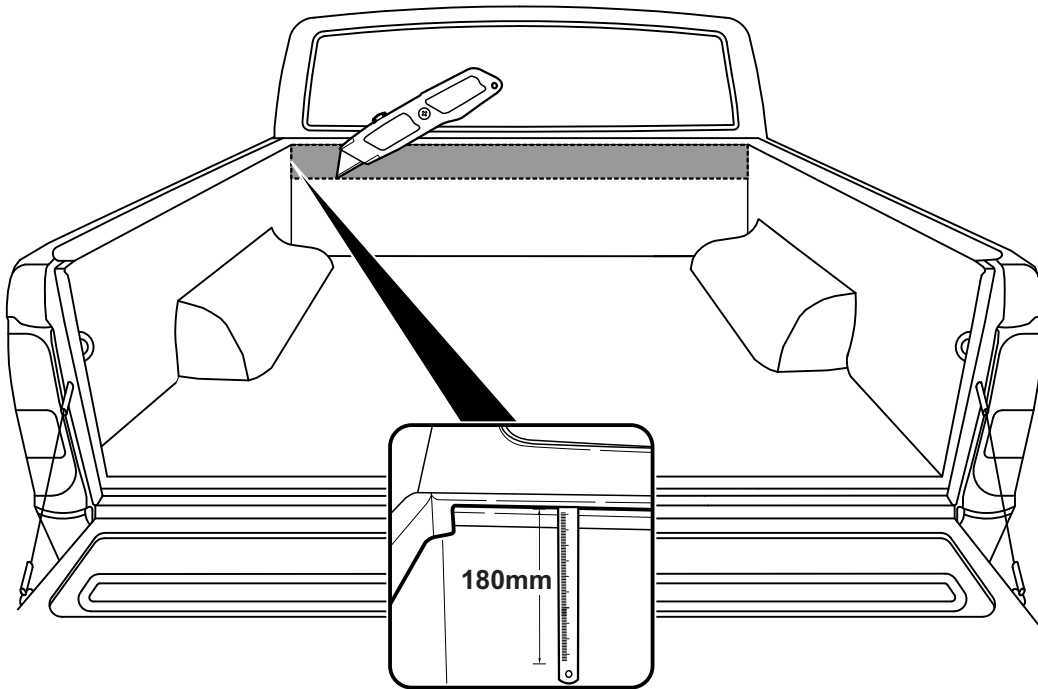
---



**The following steps are for vehicles with bed liners.  
If there are no bed liners installed move to Step 4**

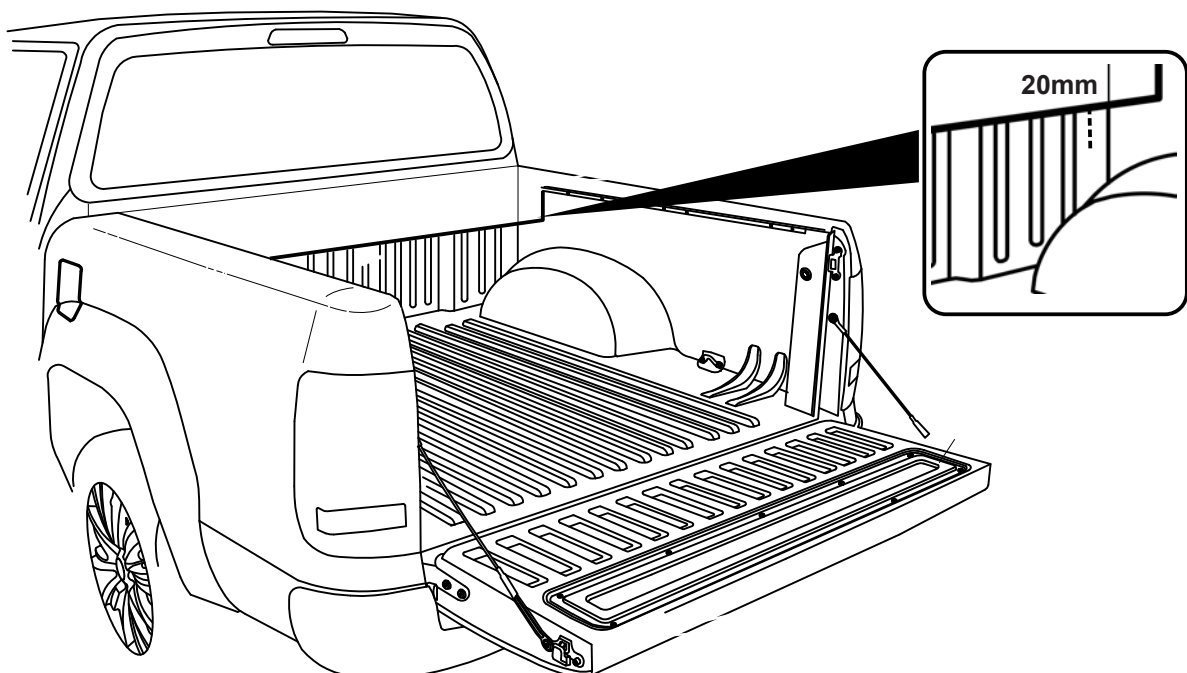
**– Step 2**

Trim front of bed liner by 180mm from the top of the ute bed as shown.



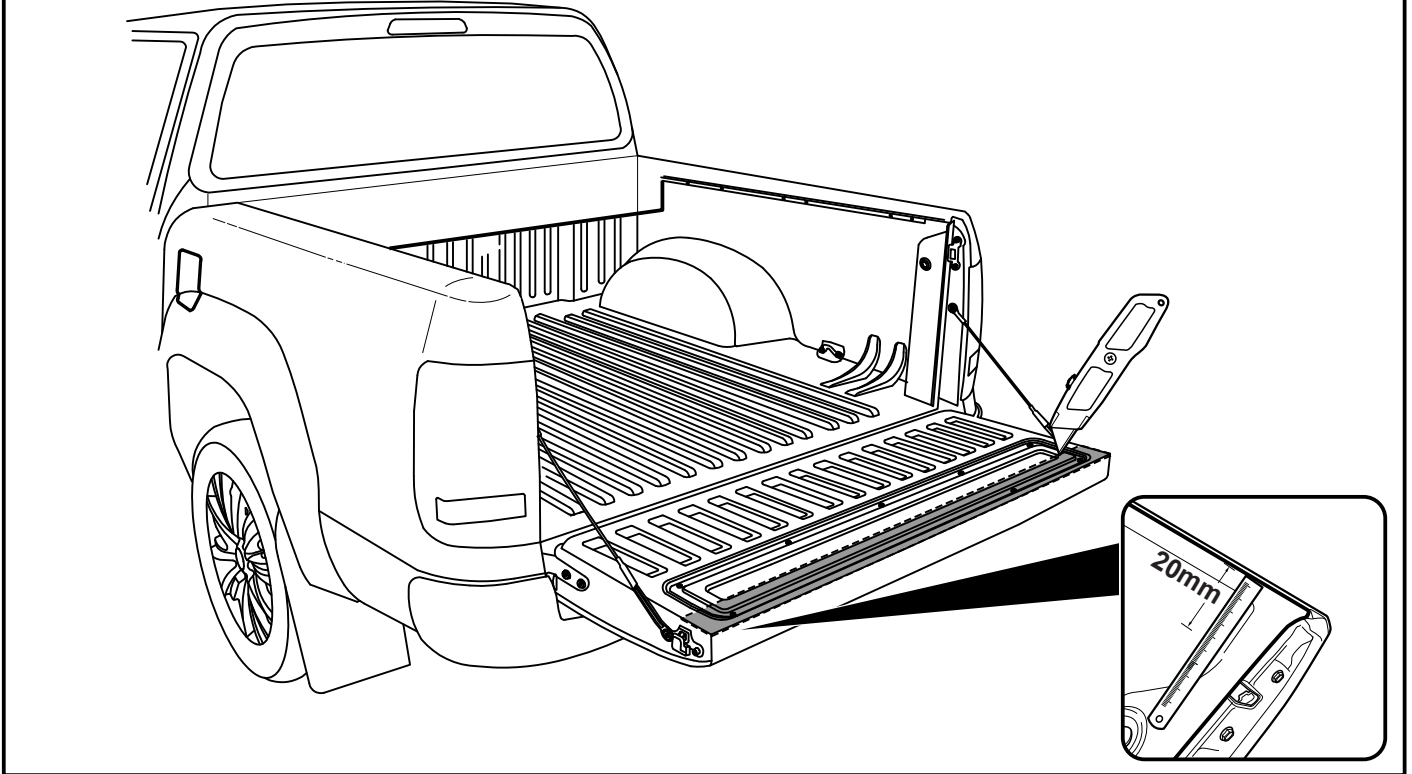
**– Step 3**

Cut a 20mm split for bed liner to flex.



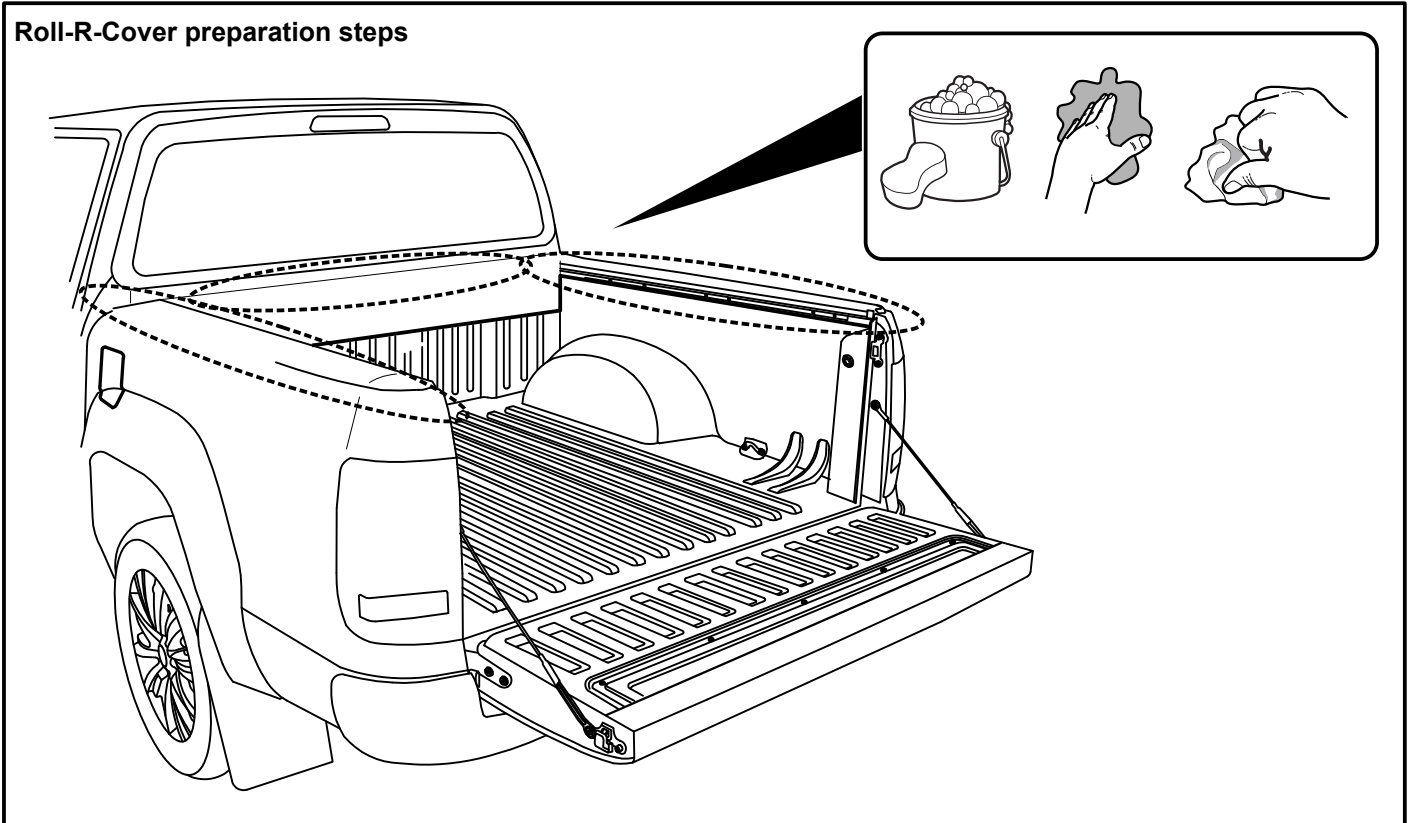
– Step 4

Measure 20mm down from top of tailgate and trim tailgate liner.



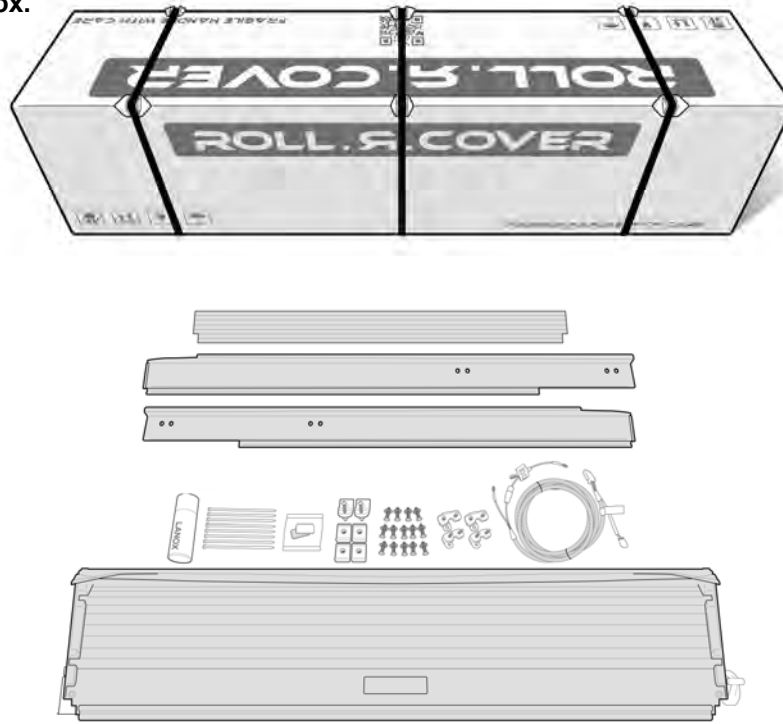
– Step 5

Roll-R-Cover preparation steps



– Step 6

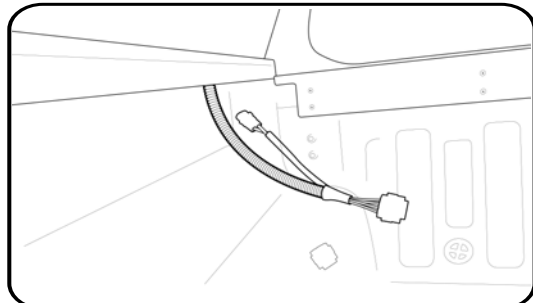
Carefully unpack the box.



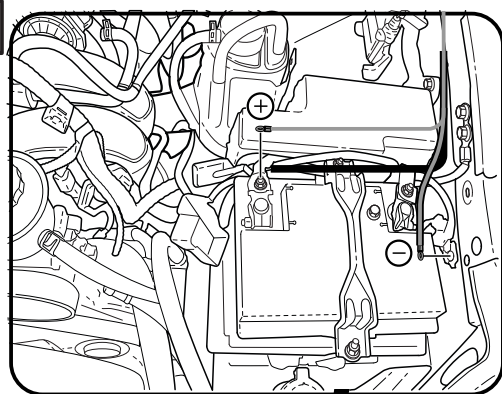
– Step 7

Wiring Harness steps

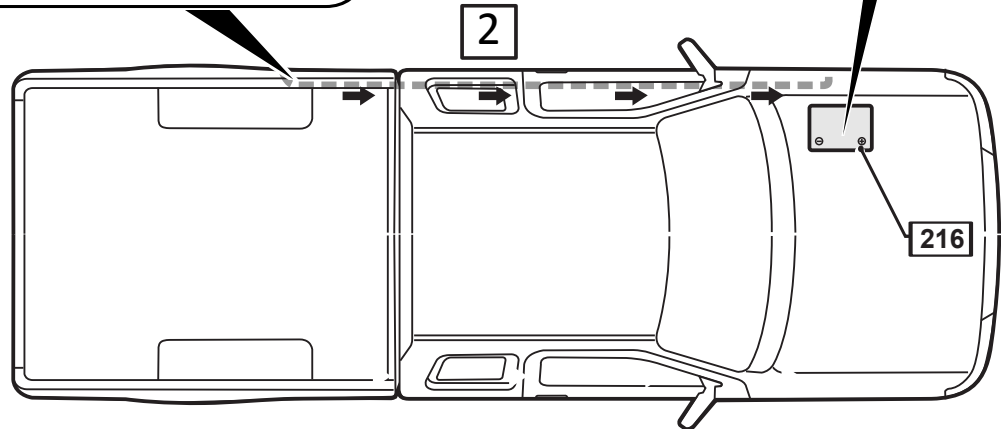
1 Feed through the cavity



3

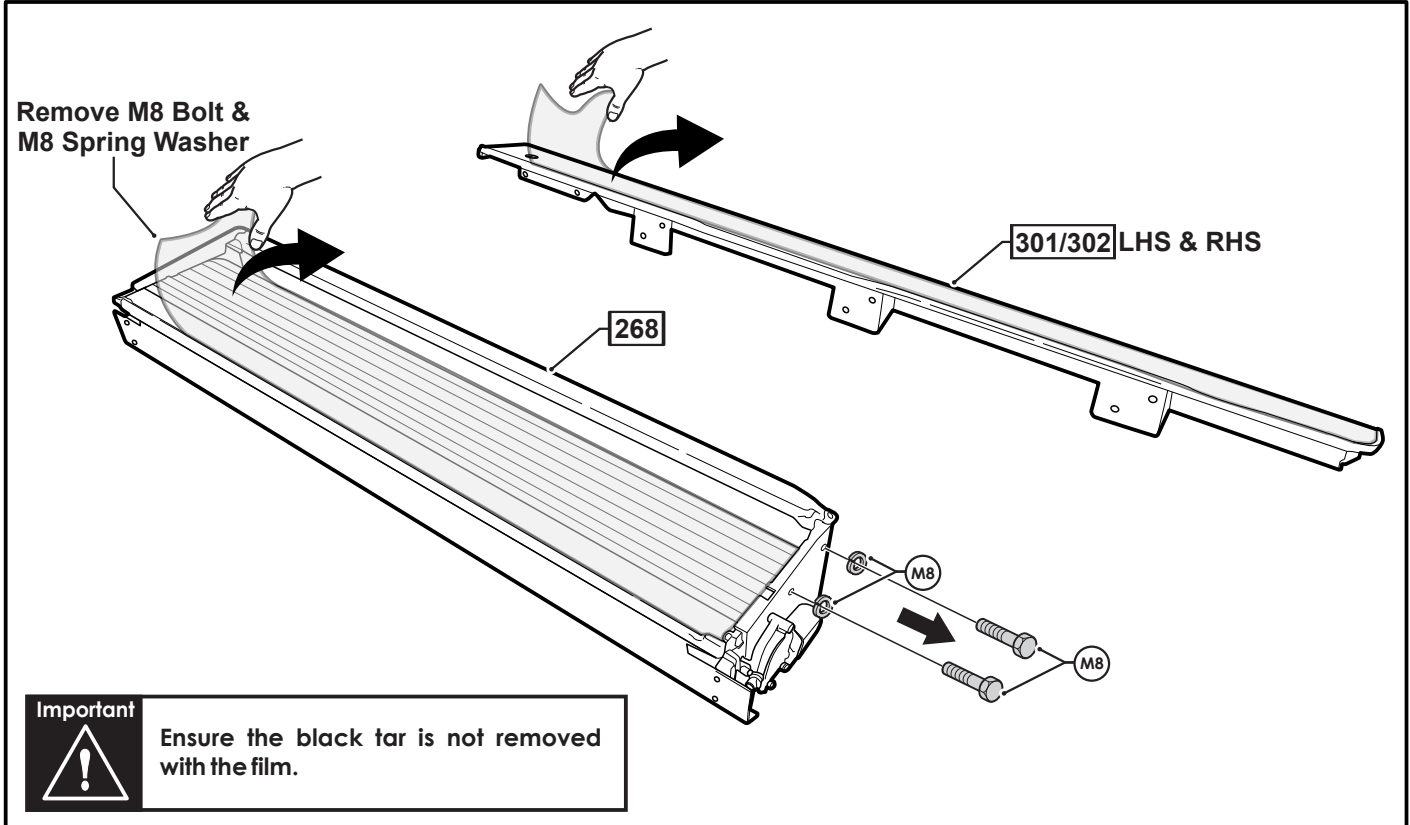


2

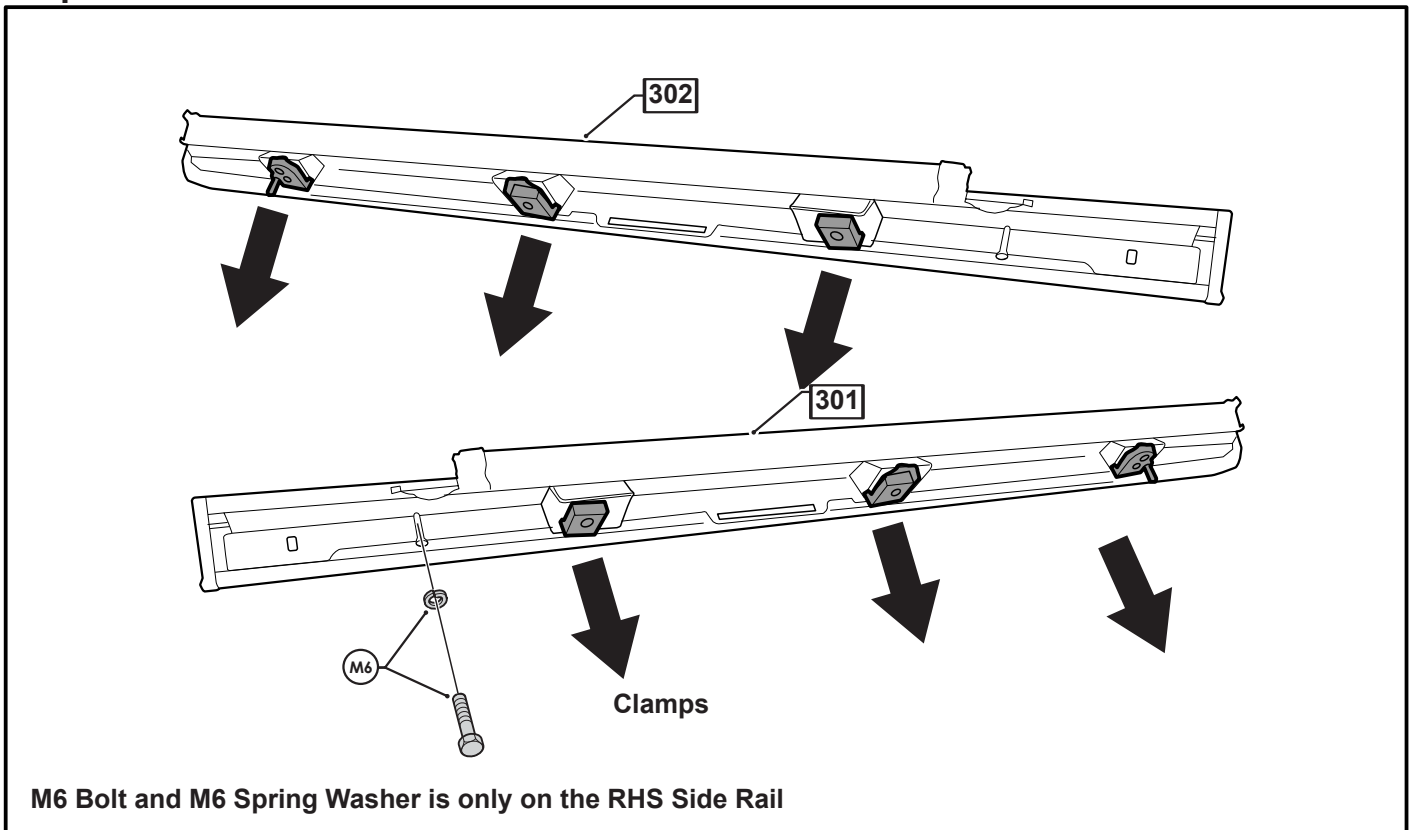


Run the wiring from the front corner cavity to the battery over the chassis rail. Making sure to keep away from hot obstructions and cable tie every 400mm.

– Step 8

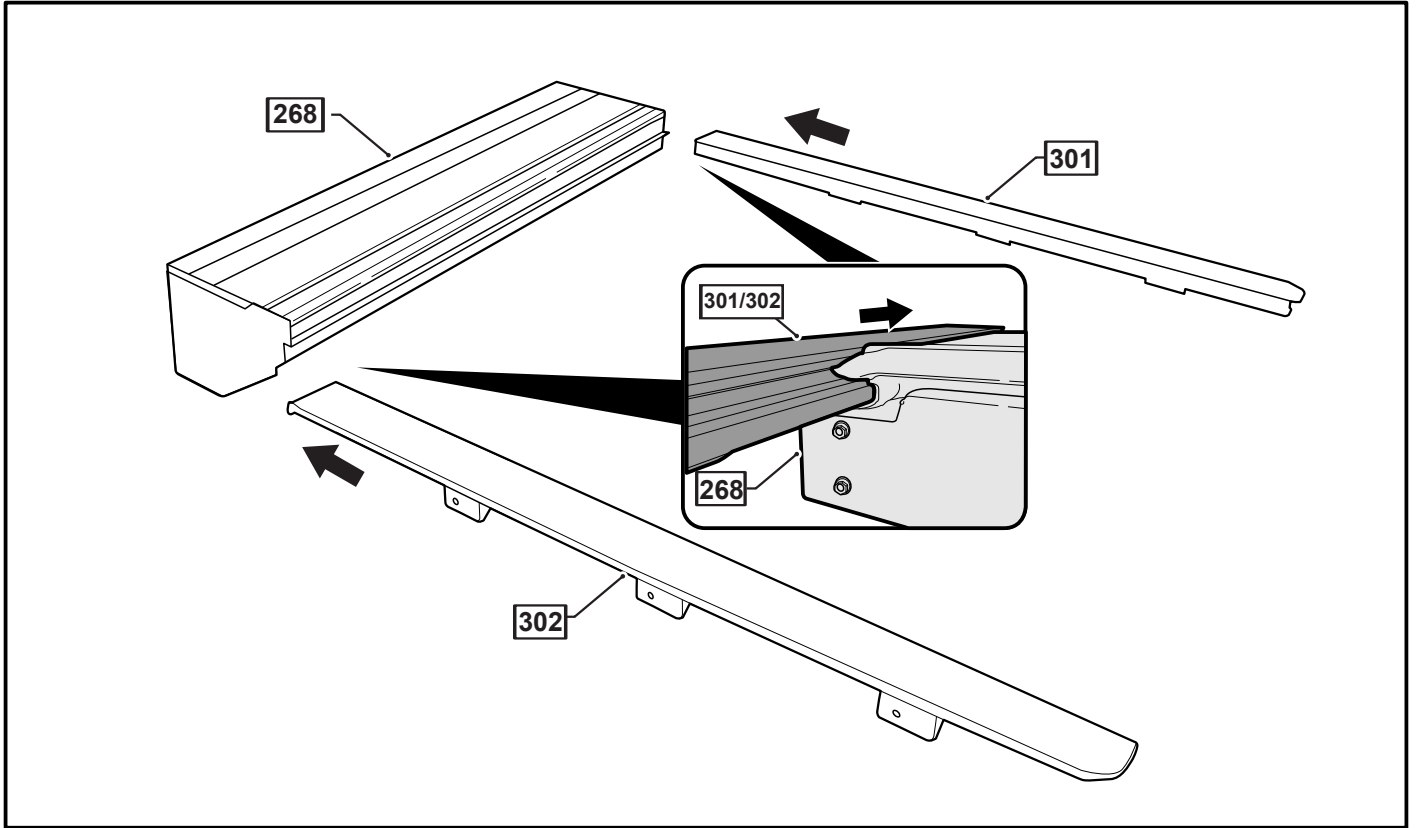


– Step 9

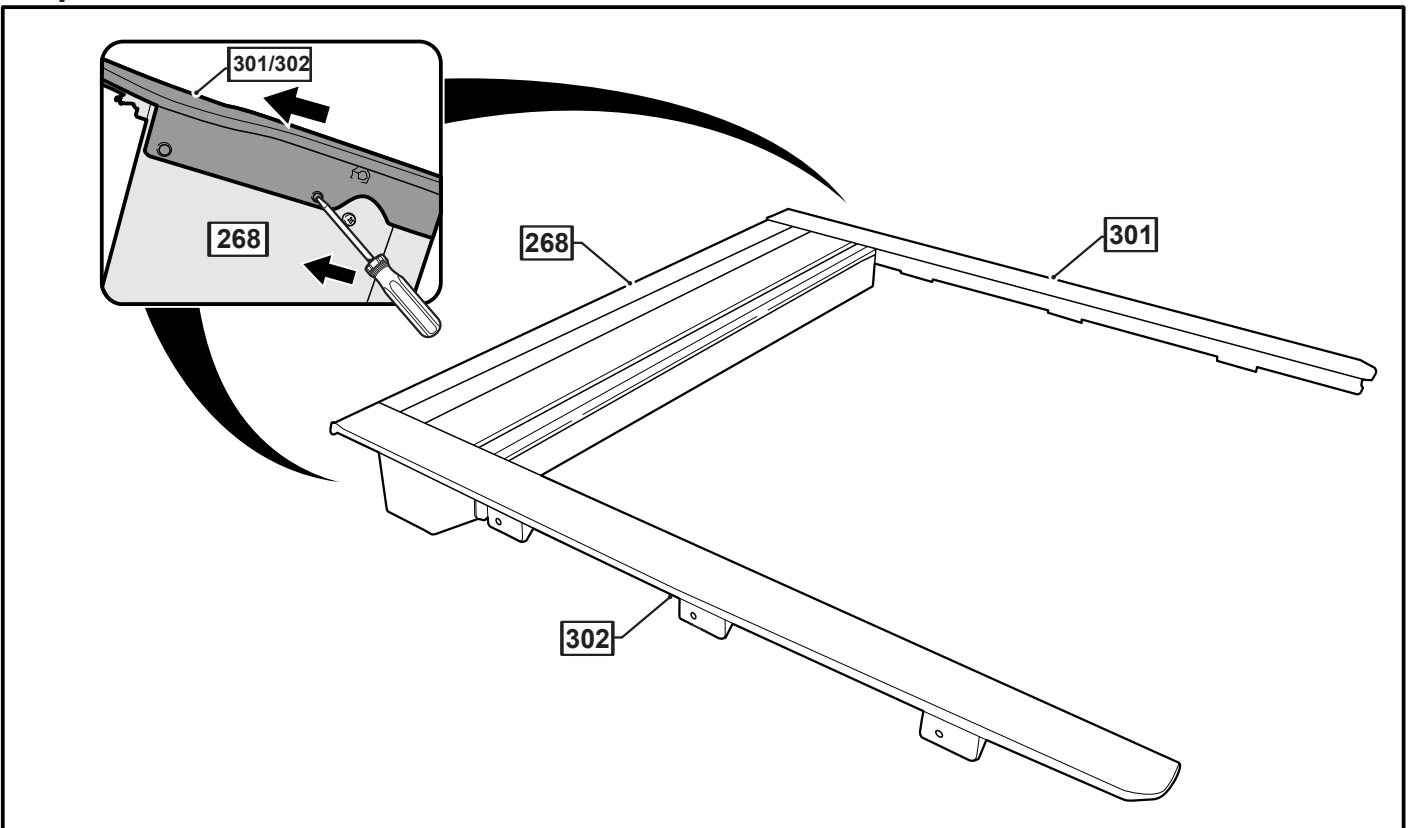




– Step 10

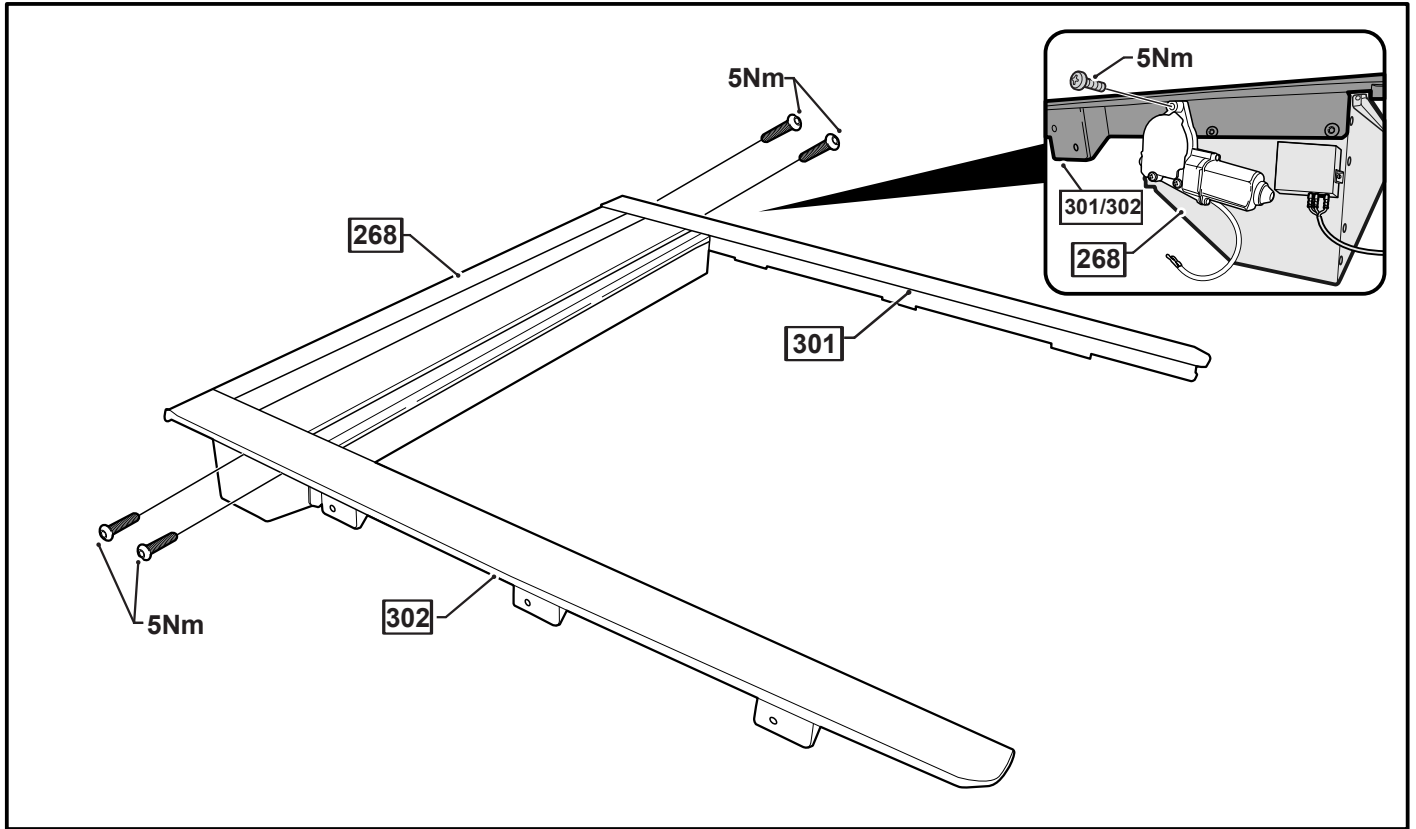


– Step 11



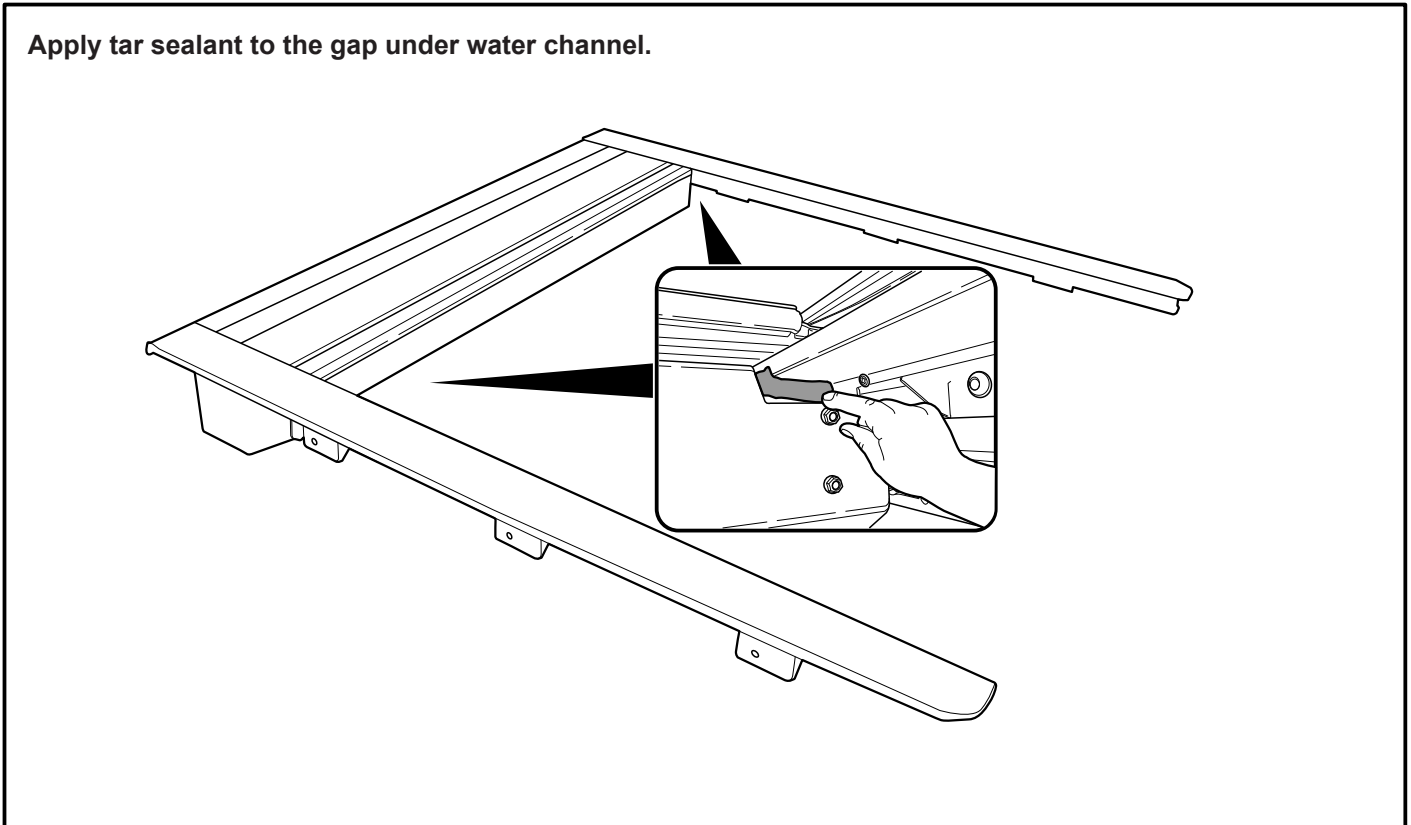


– Step 12



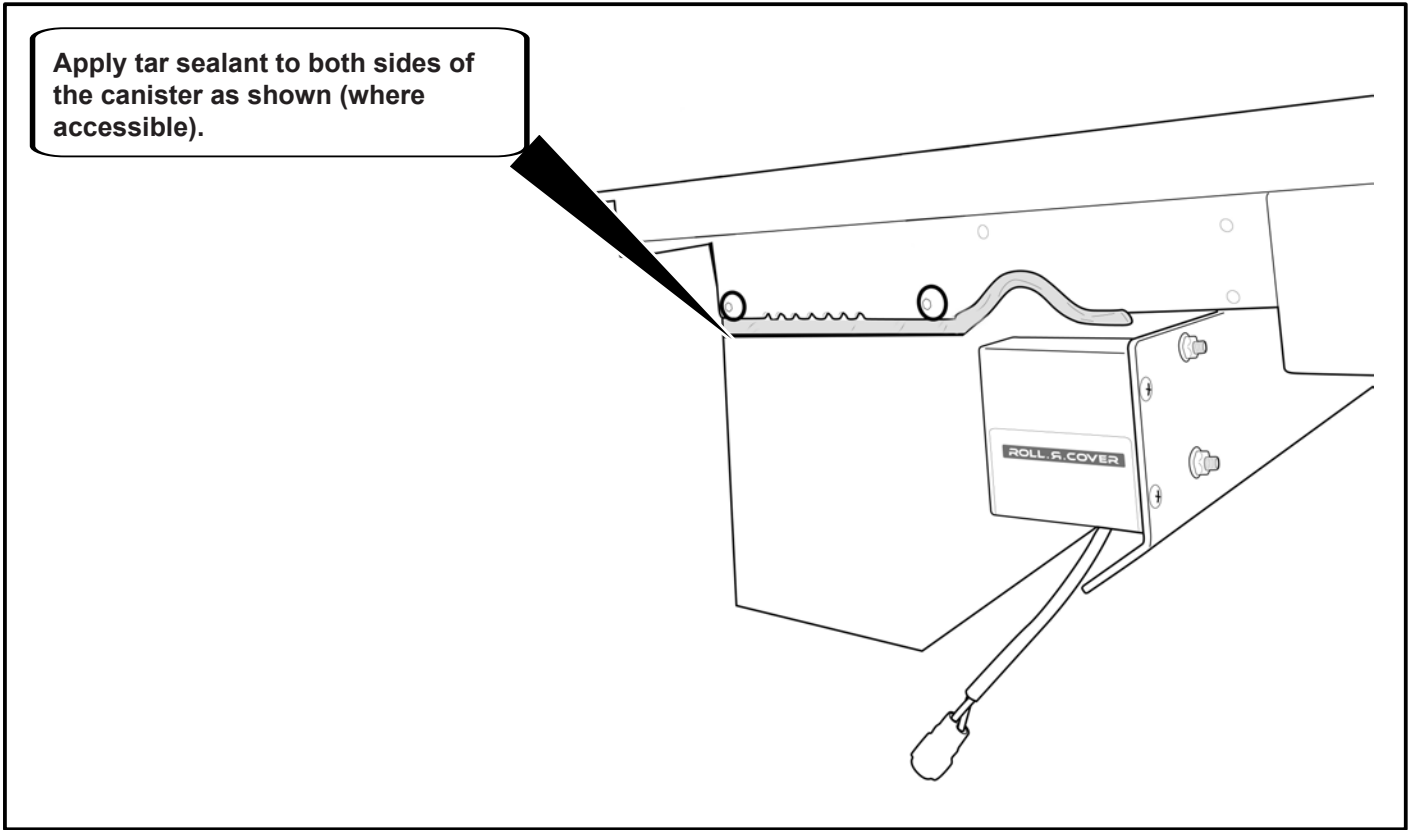
– Step 13

Apply tar sealant to the gap under water channel.



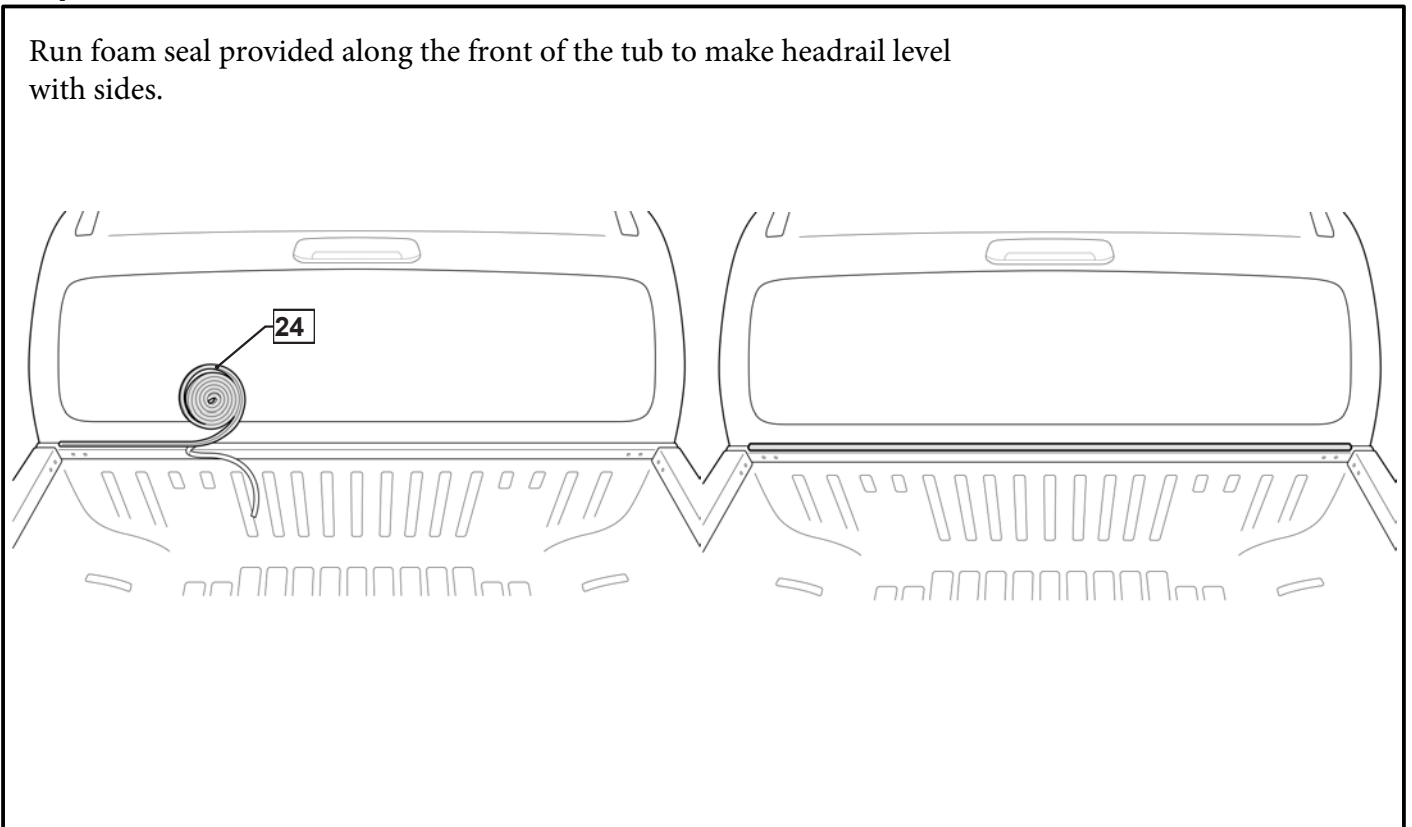
– Step 14

Apply tar sealant to both sides of the canister as shown (where accessible).

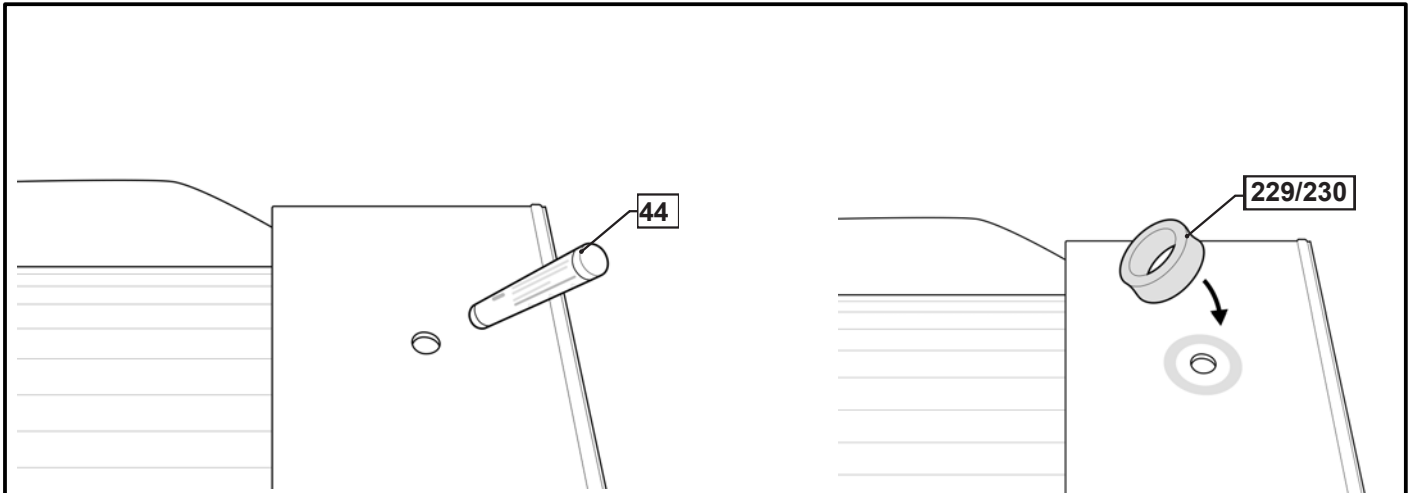


– Step 15

Run foam seal provided along the front of the tub to make headrail level with sides.



– Step 16

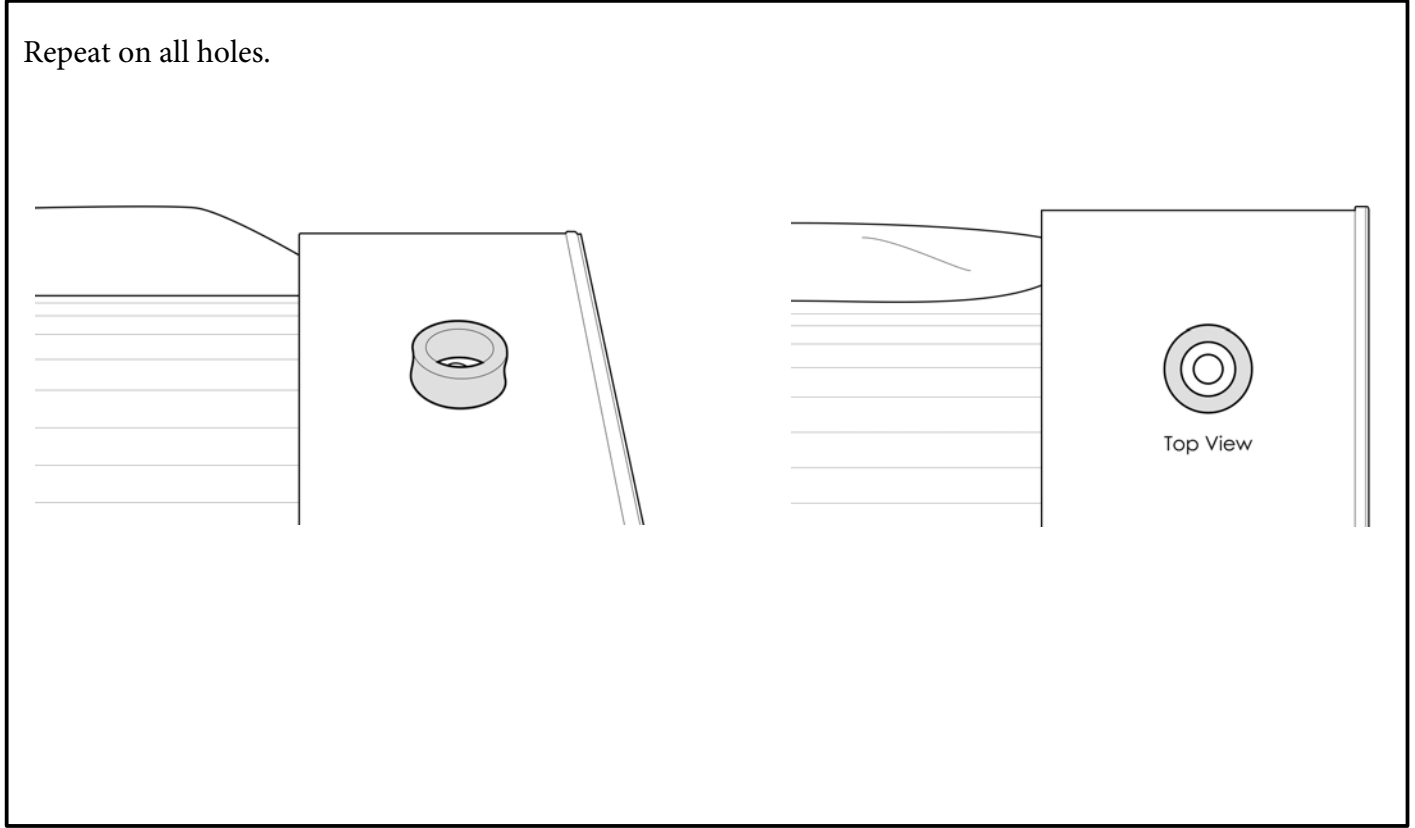


Apply 3M primer provided around side rail holes.

Peel away backing from foam sealant and stick to side rail. Front and rear gaskets are not identical.

– Step 17

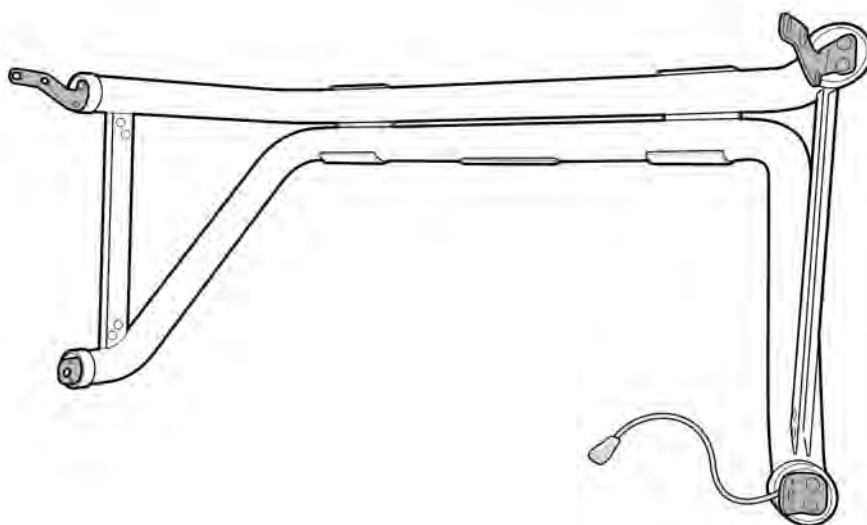
Repeat on all holes.



Top View

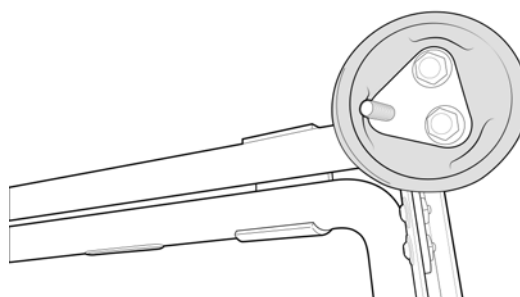
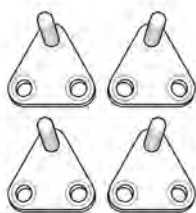
## -Step 18-

Remove all factory brackets from sports bars. Repeat on all four legs.



## -Step 19-

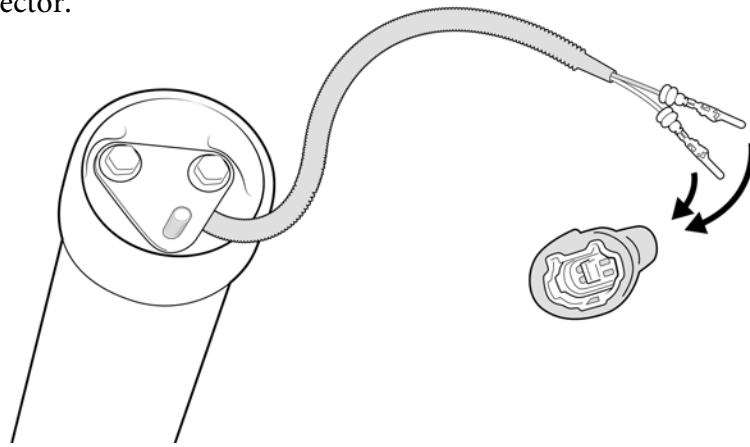
Fit Sports bar brackets using factory bolts



Note - Left hand rear bracket has provision for brake light wire.

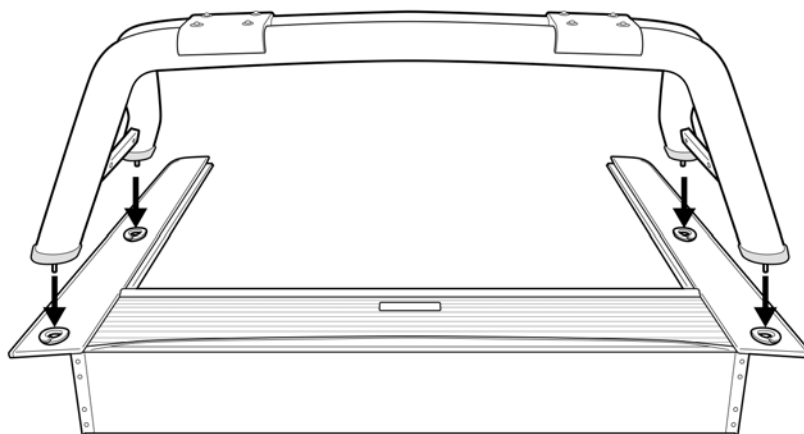
**– Step 20**

Remove plug from connector.



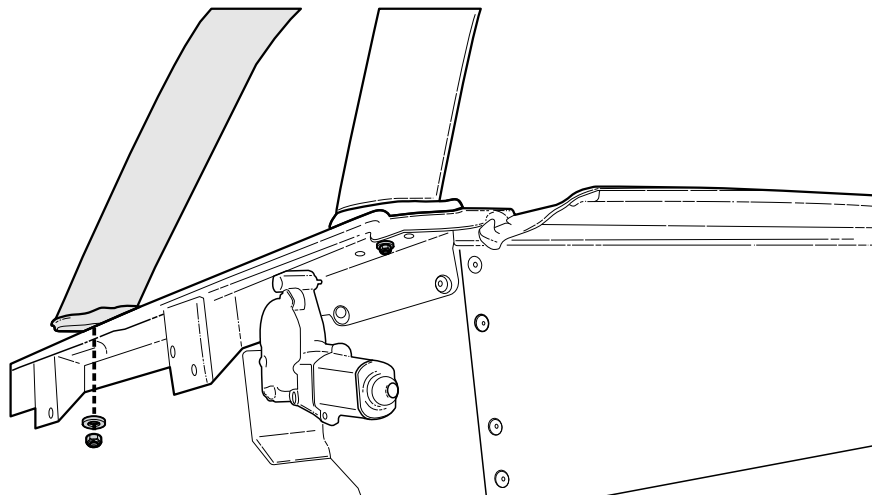
**– Step 21**

Place Sportsbar on Roll R cover



## – Step 22

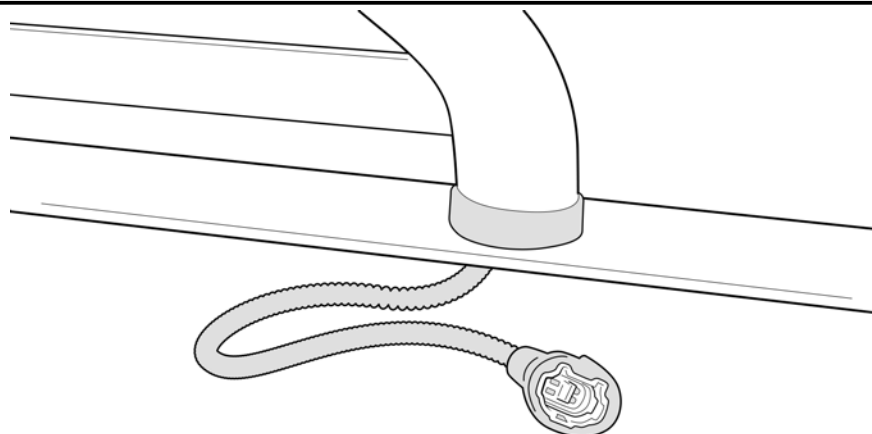
Place flat washer and tighten with the nylock nut provided. Repeat on all four legs.



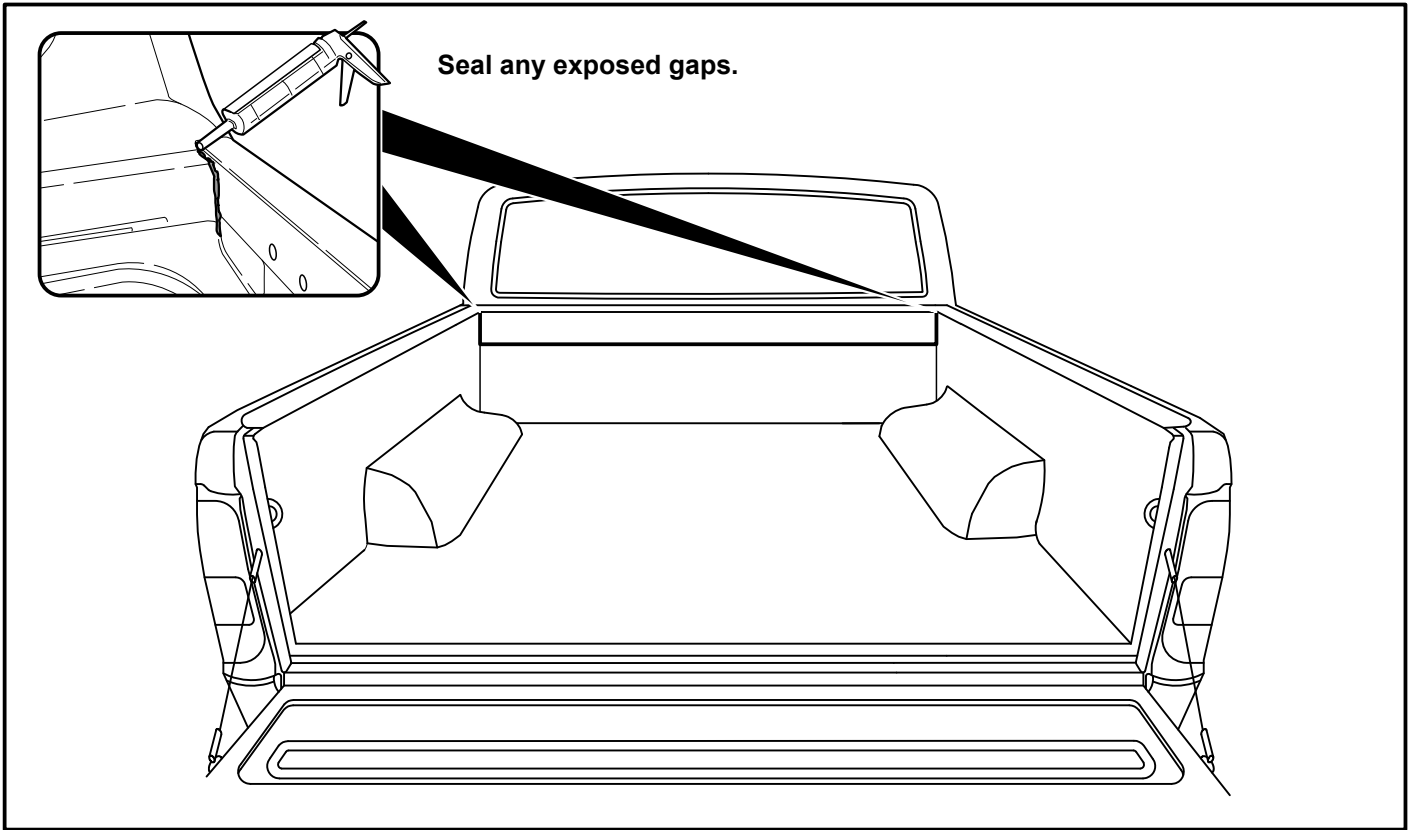
Note - Do not overtighten

## – Step 23

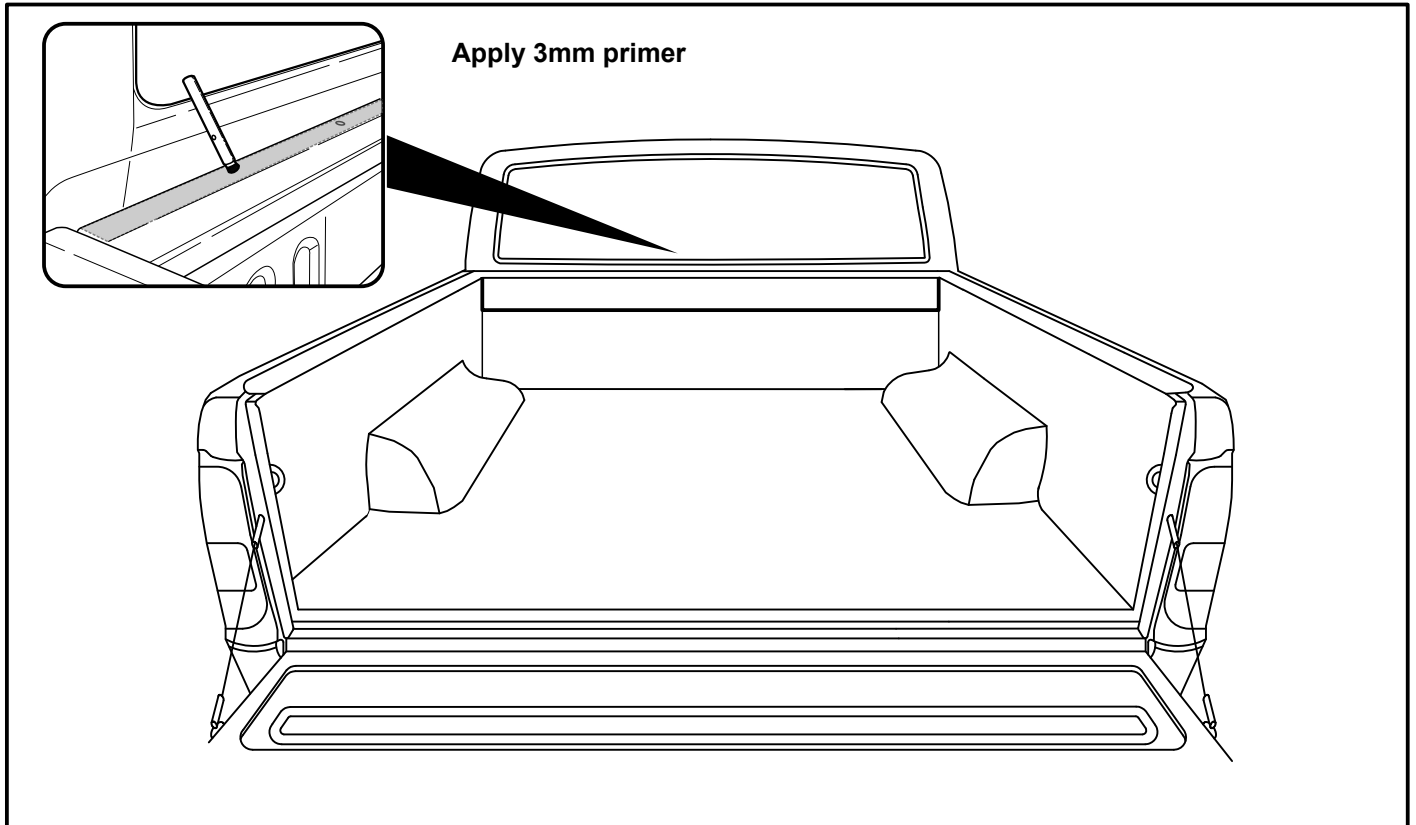
Connect plug to connector.



— Step 24 —



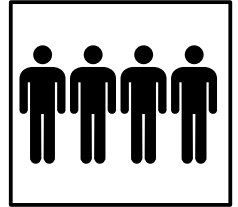
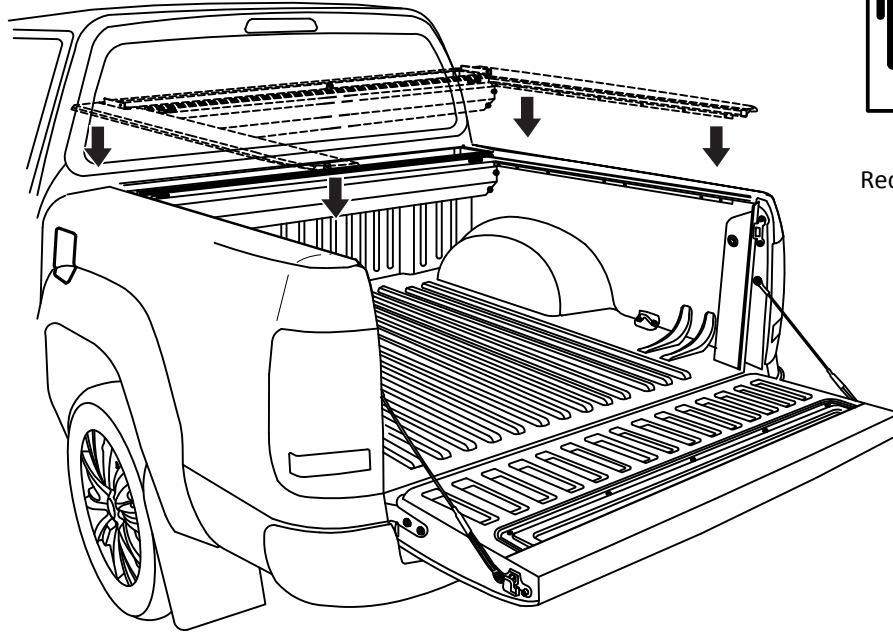
— Step 25 —





– Step 26

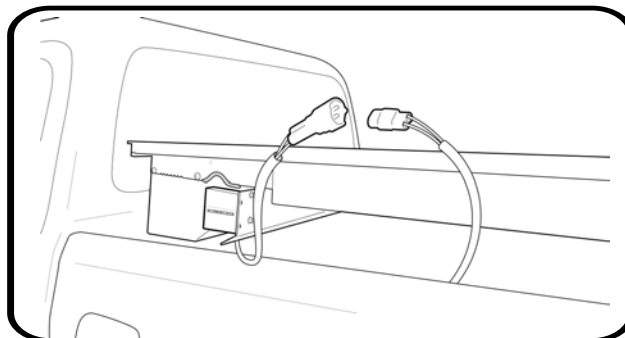
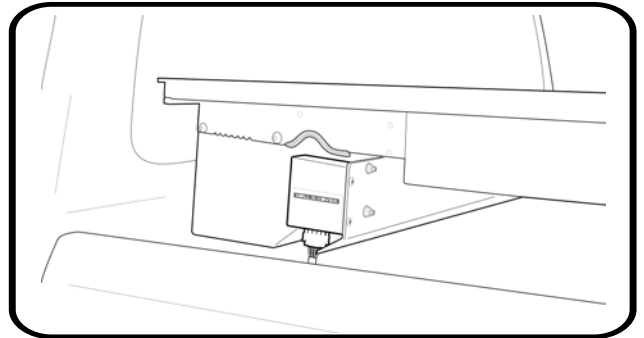
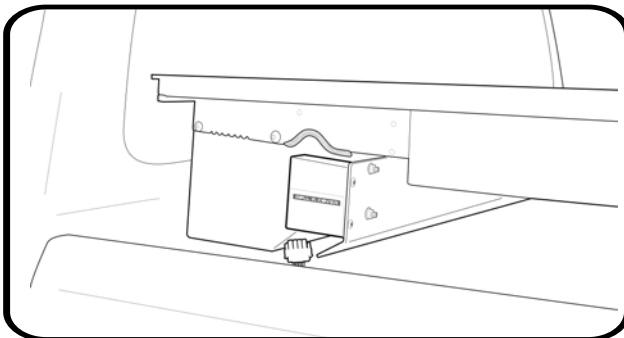
Installing the Roll-R-Cover



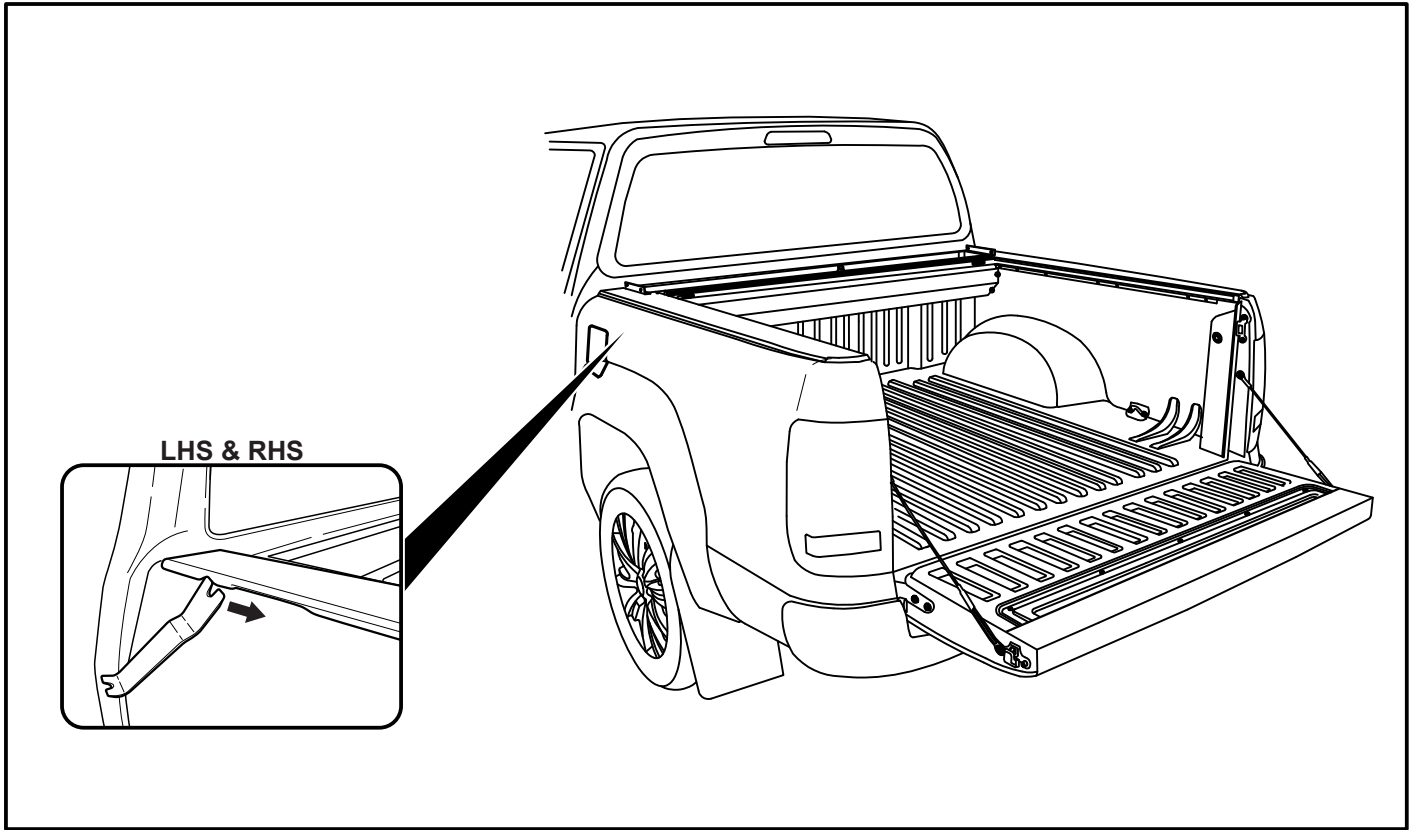
4 People  
Recommended for lift

– Step 27

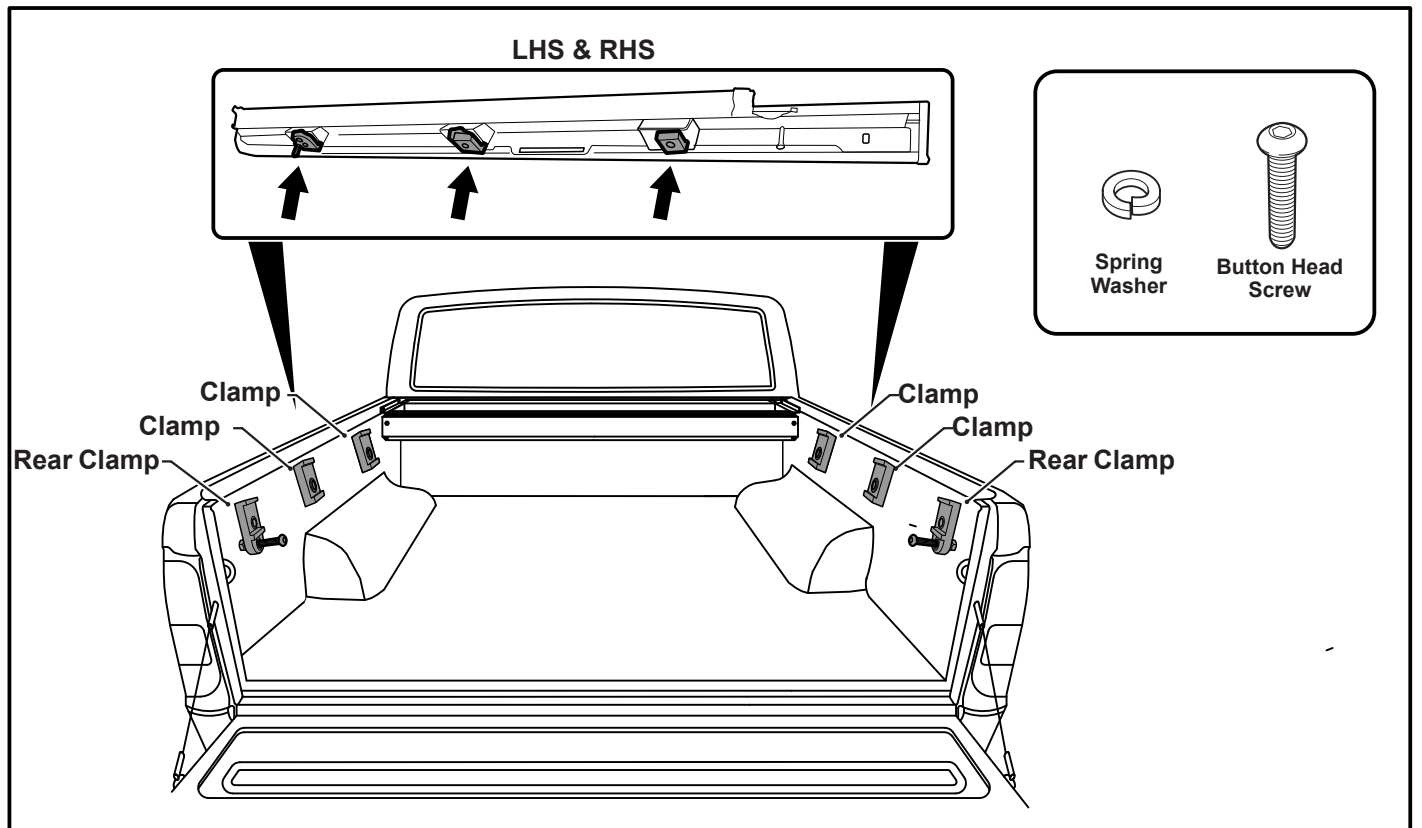
Before dropping the Roll R cover into place on the tub, connect all relevant connections or plugs to the receiver and motor plug connection.



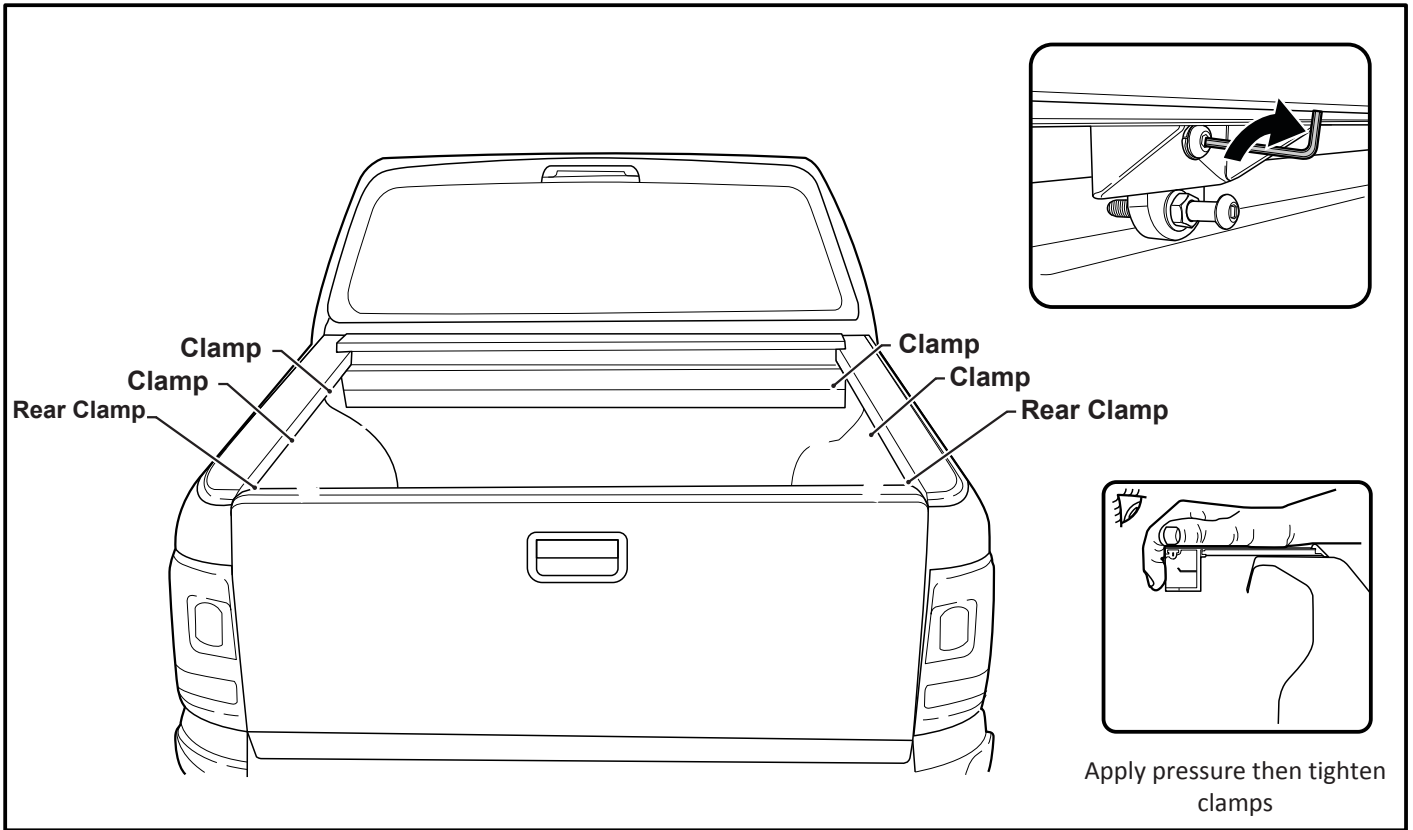
– Step 28



– Step 29

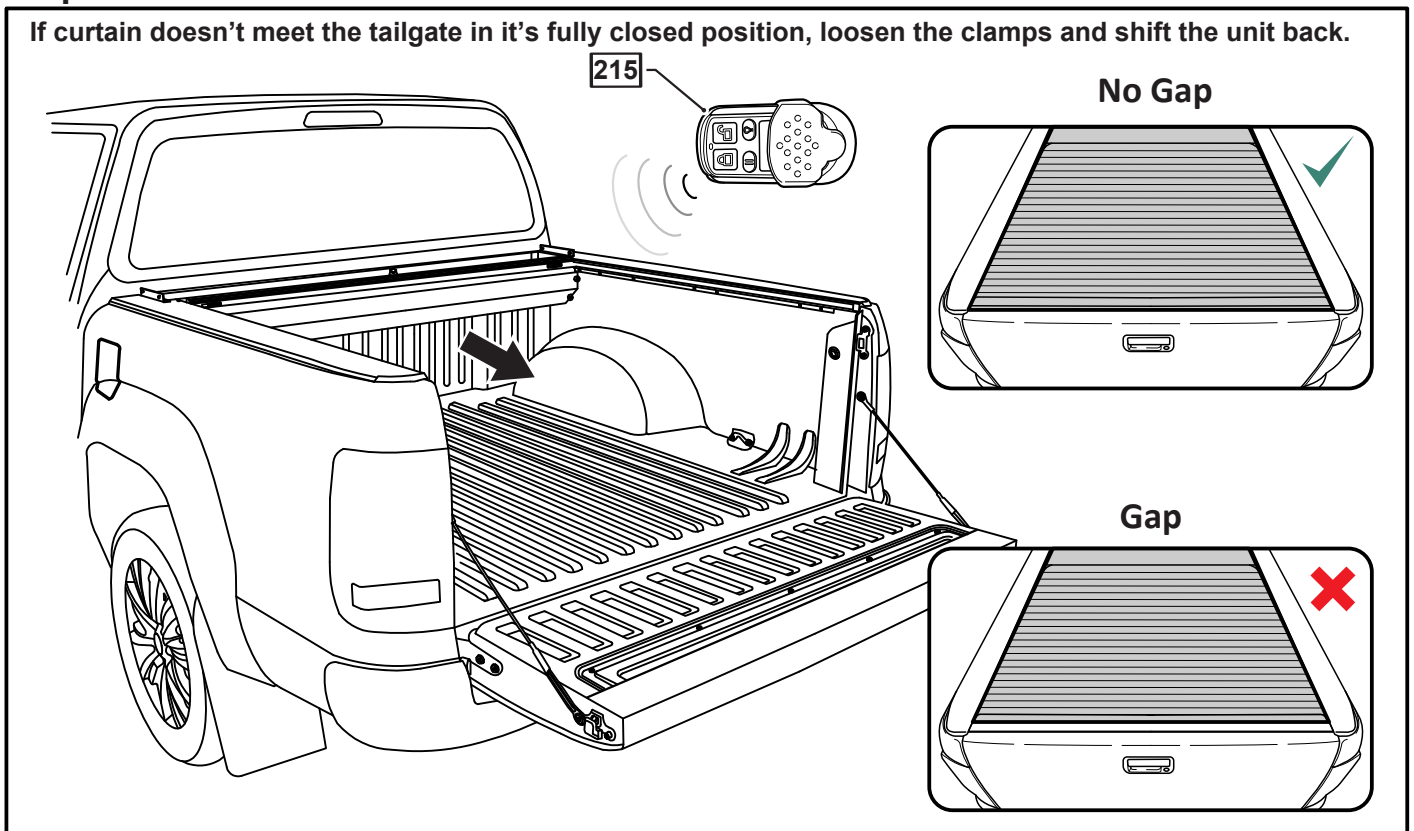


– Step 30

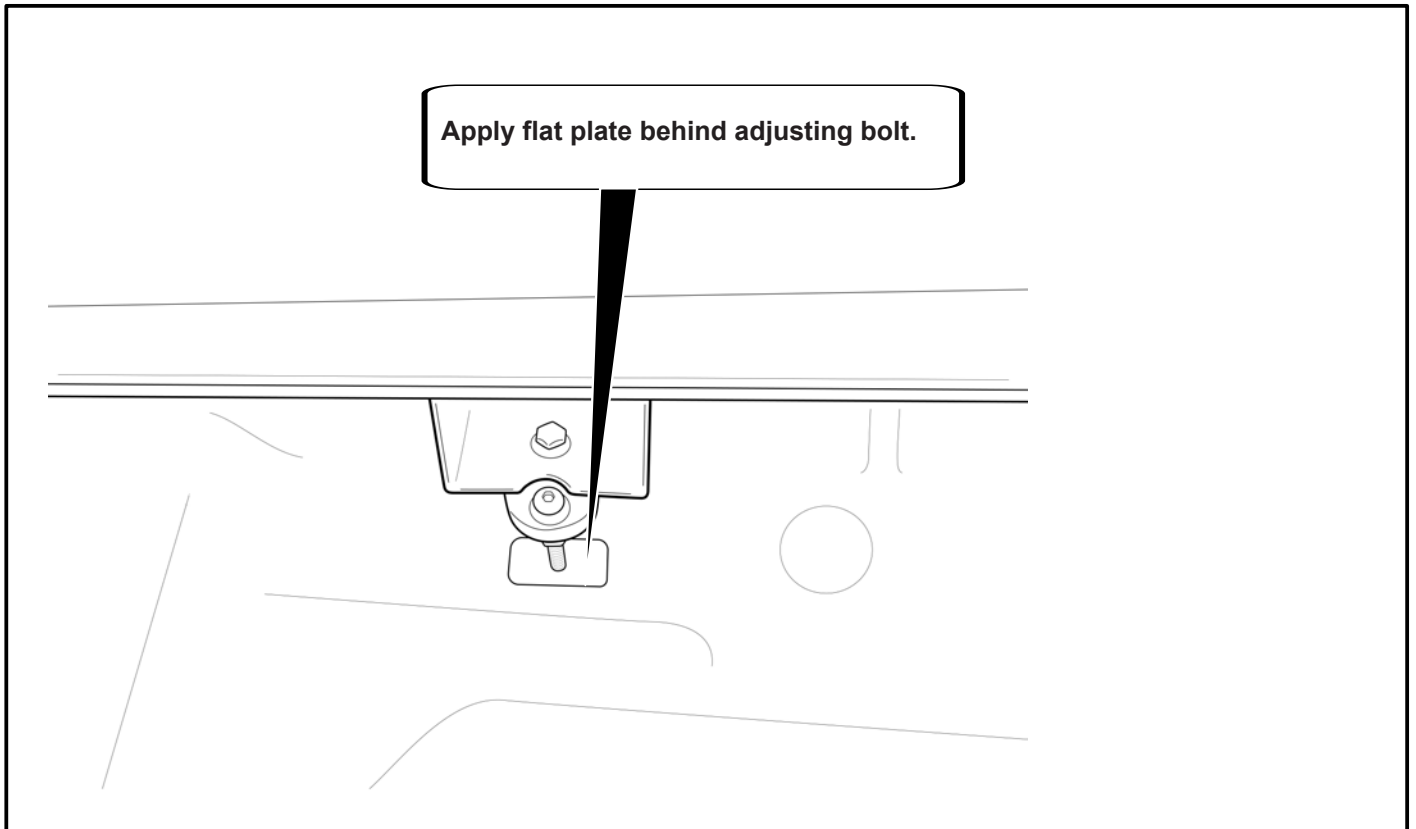


– Step 31

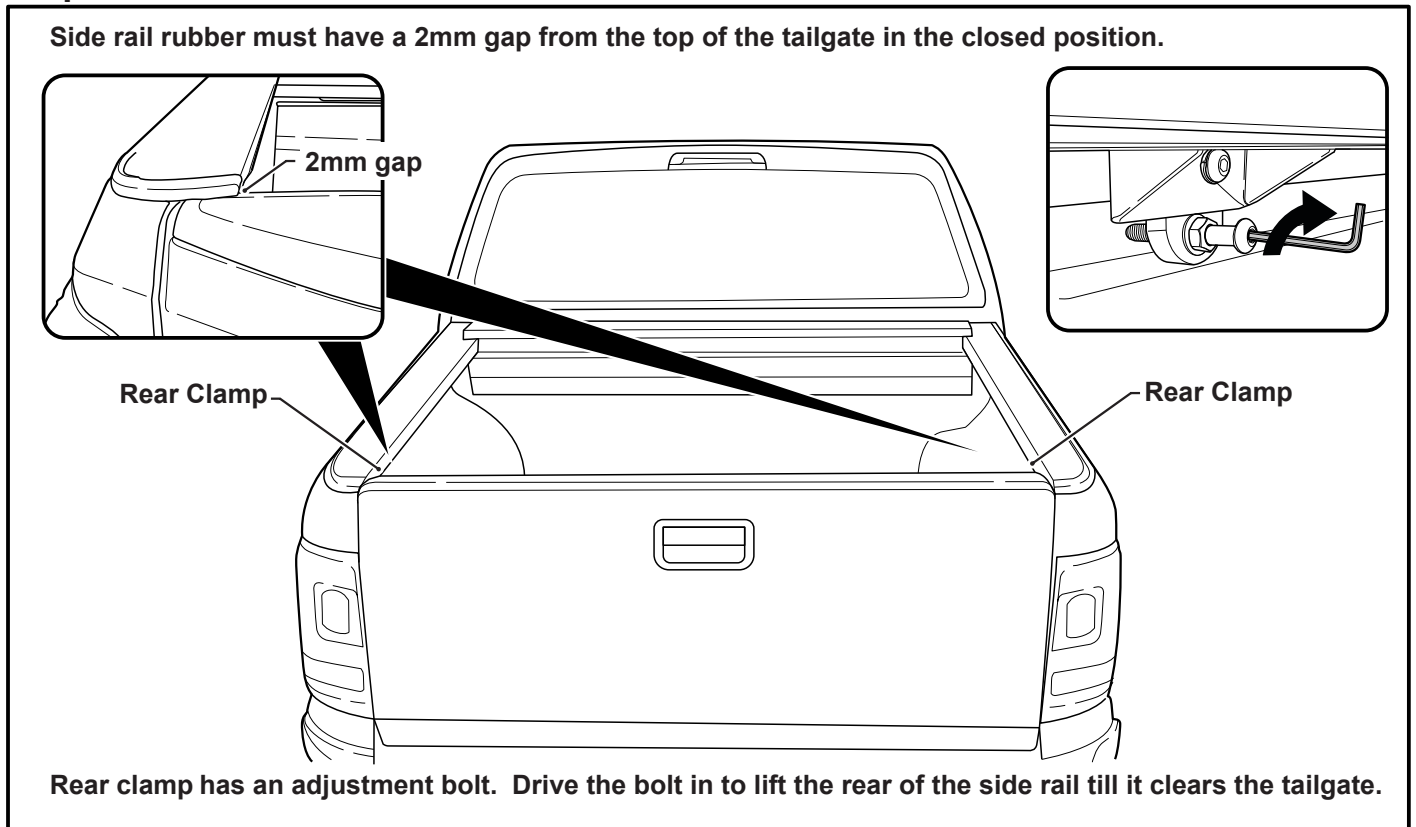
If curtain doesn't meet the tailgate in it's fully closed position, loosen the clamps and shift the unit back.



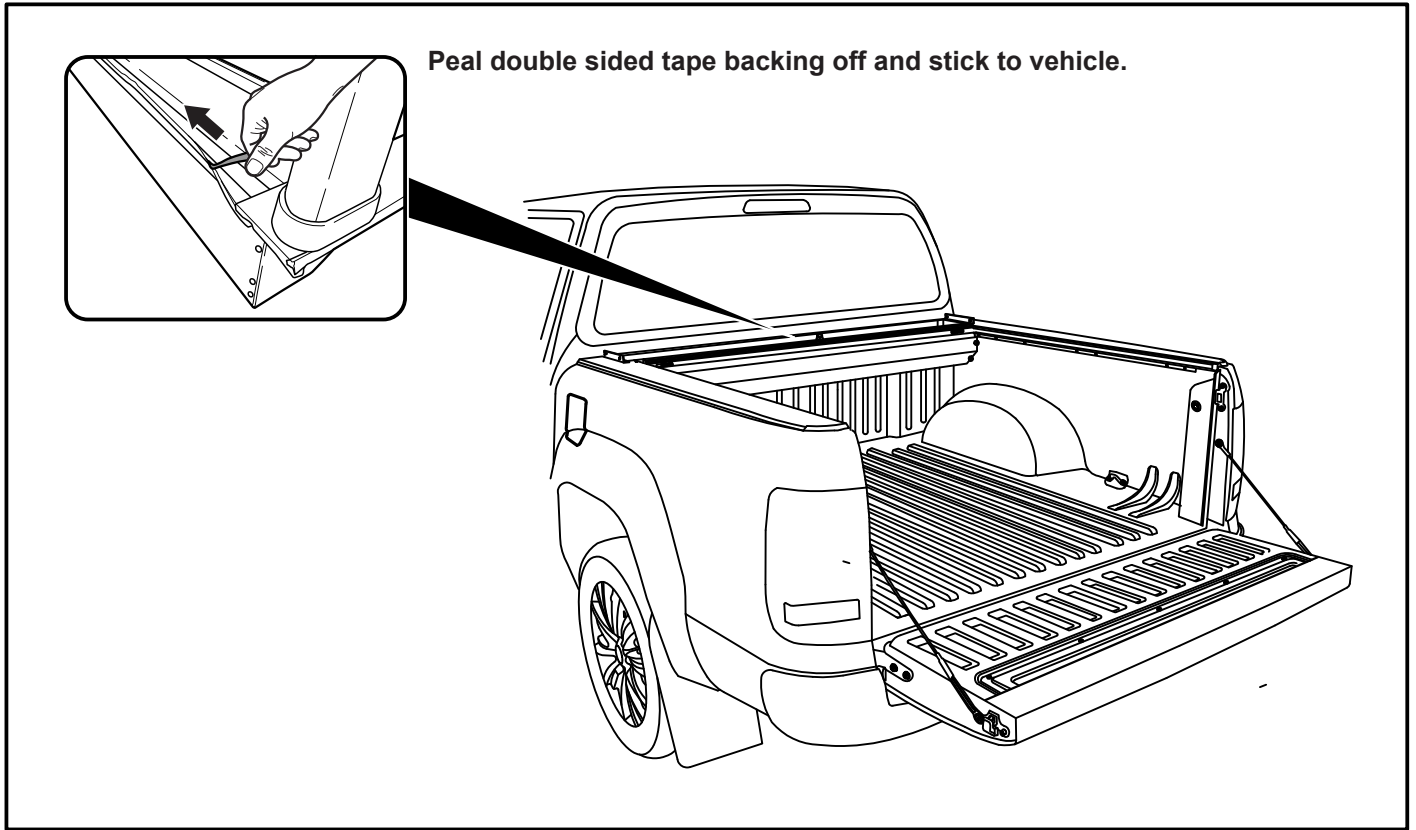
– Step 32



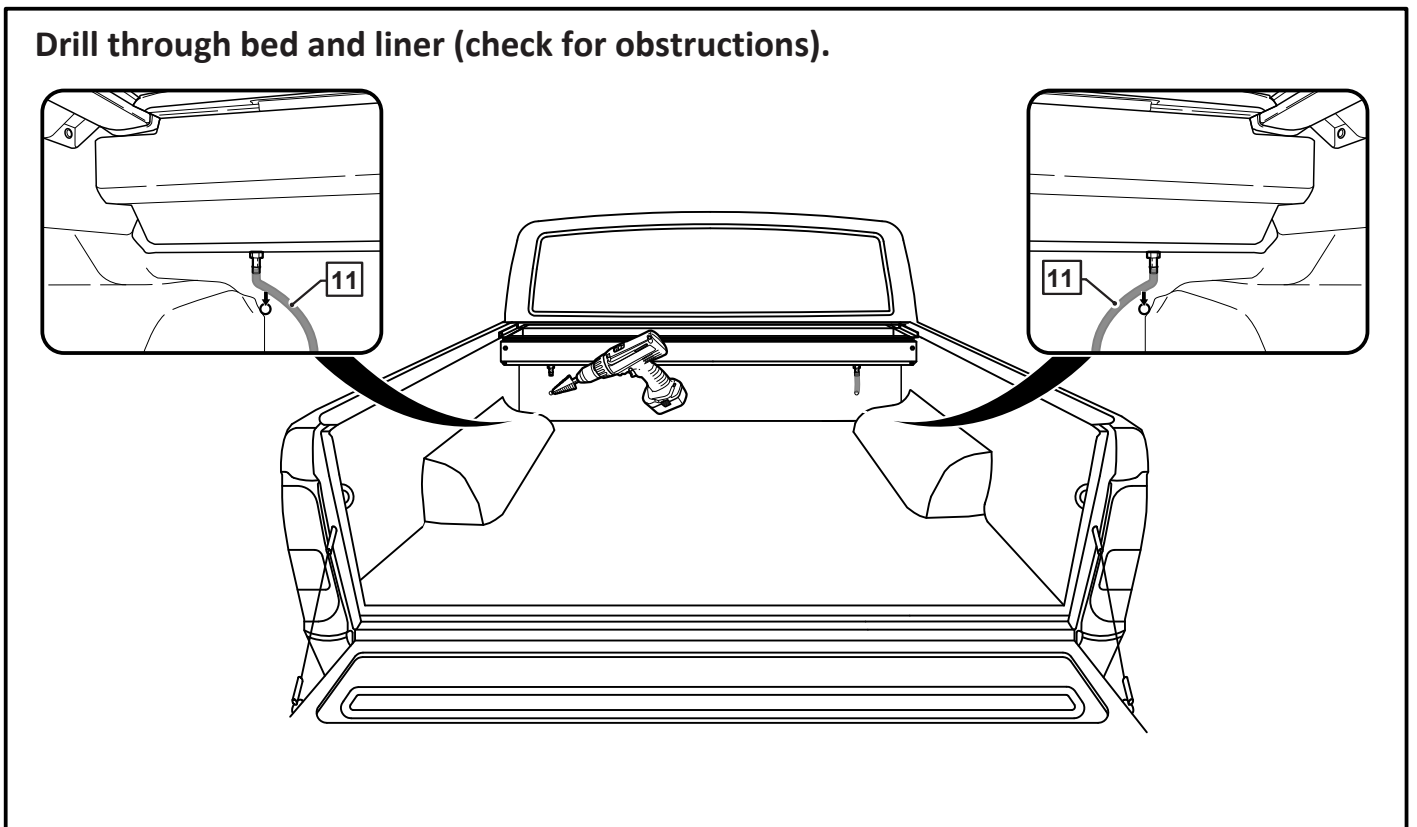
– Step 33



– Step 34

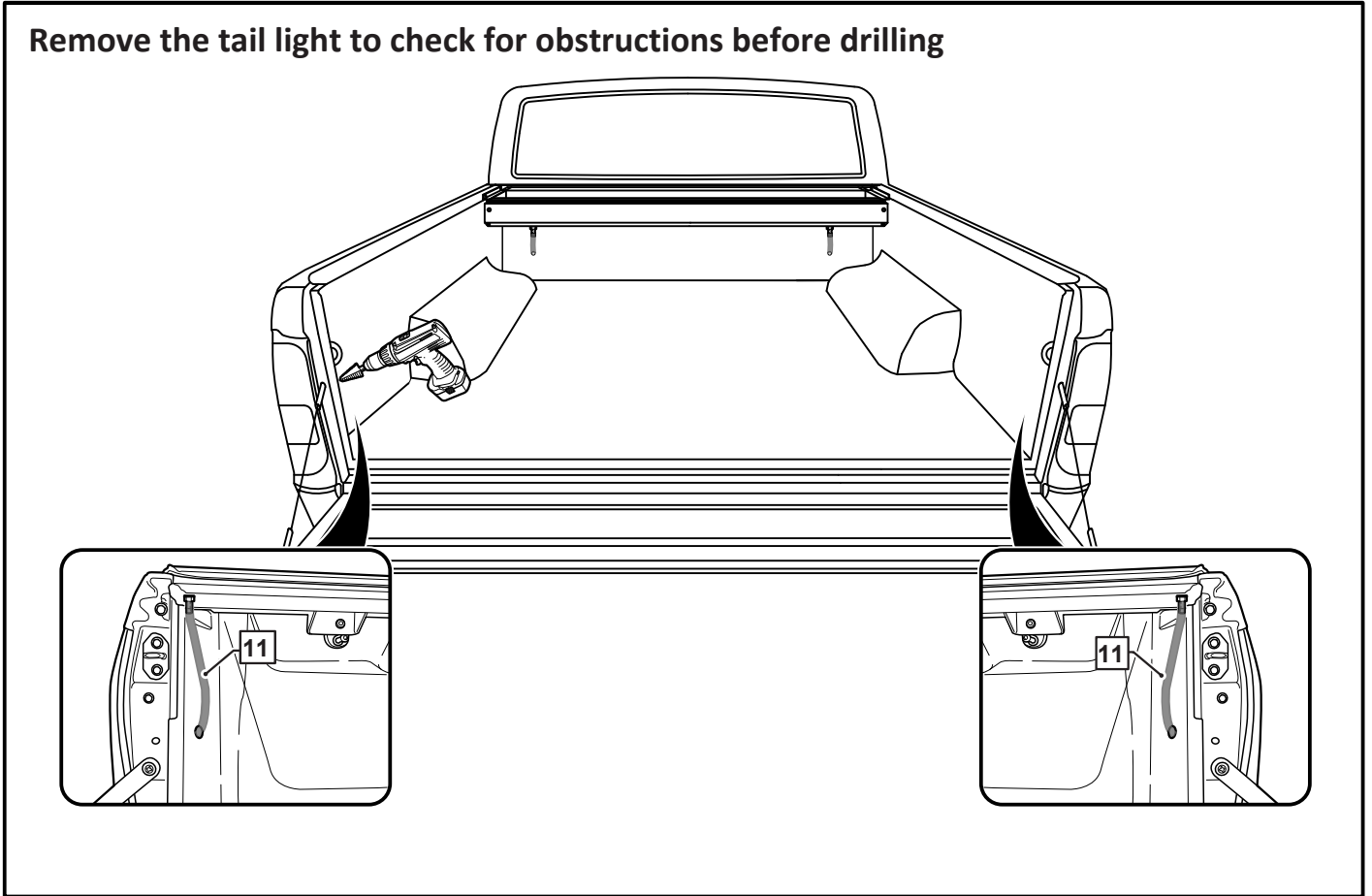


– Step 35



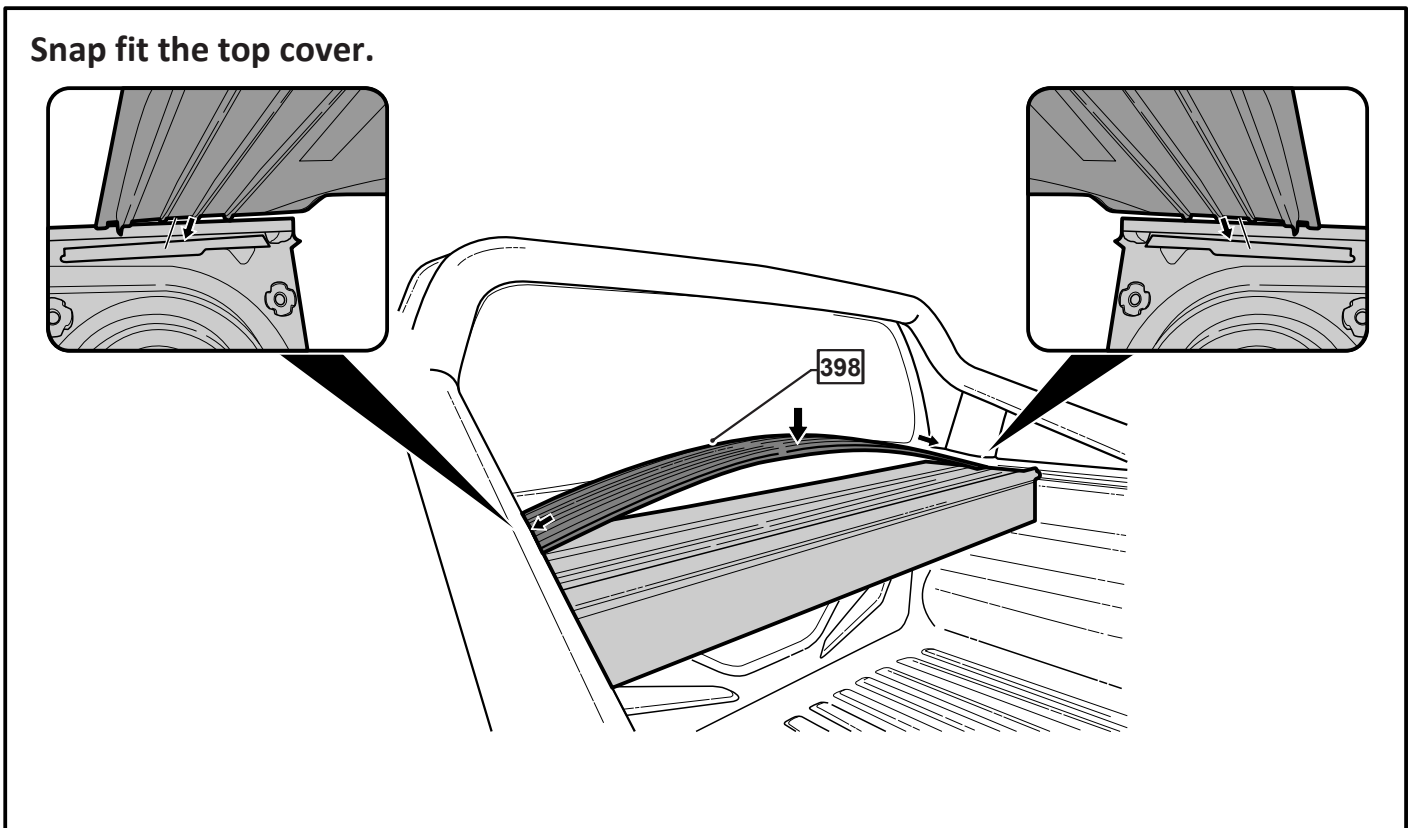
– Step 36

Remove the tail light to check for obstructions before drilling

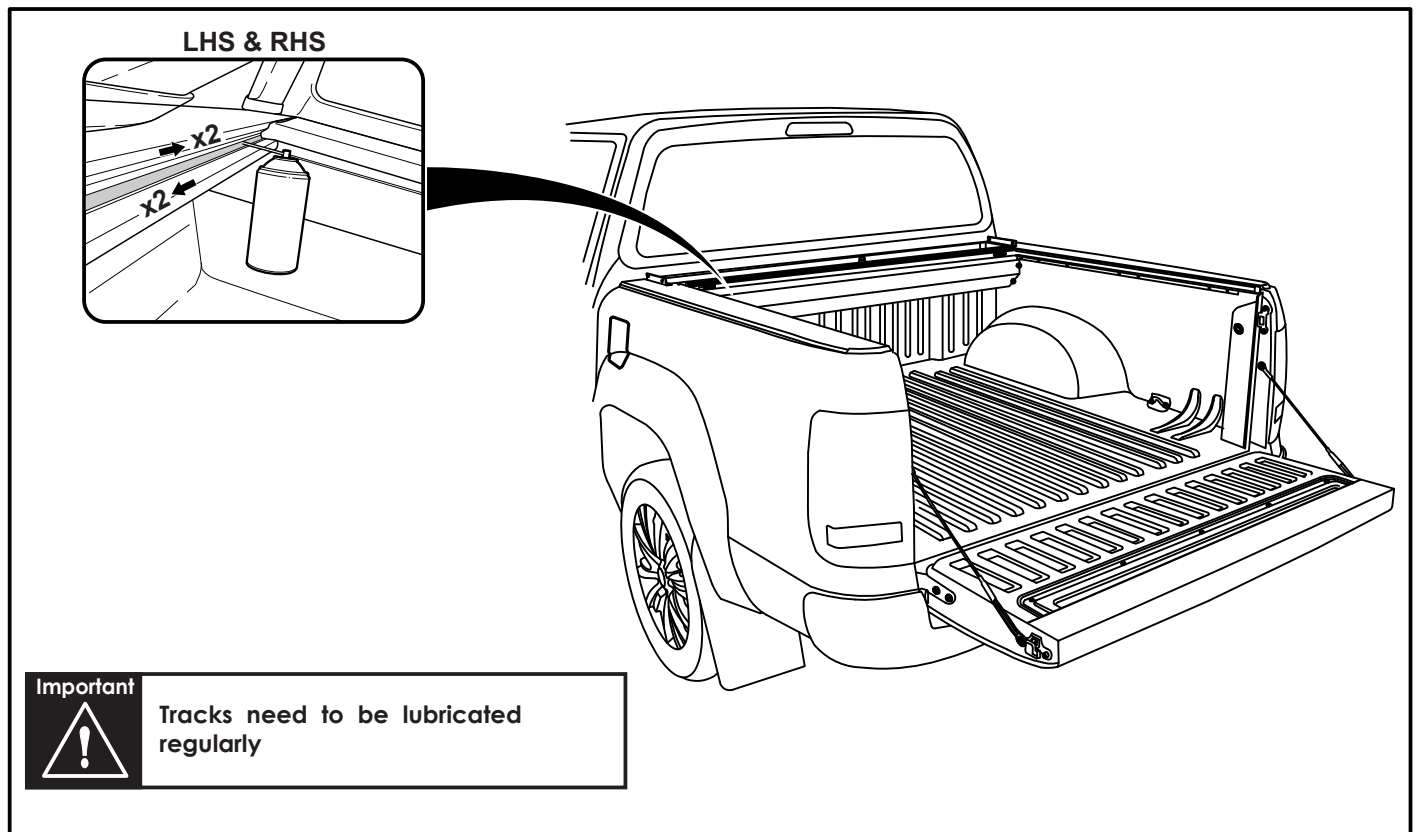


– Step 37

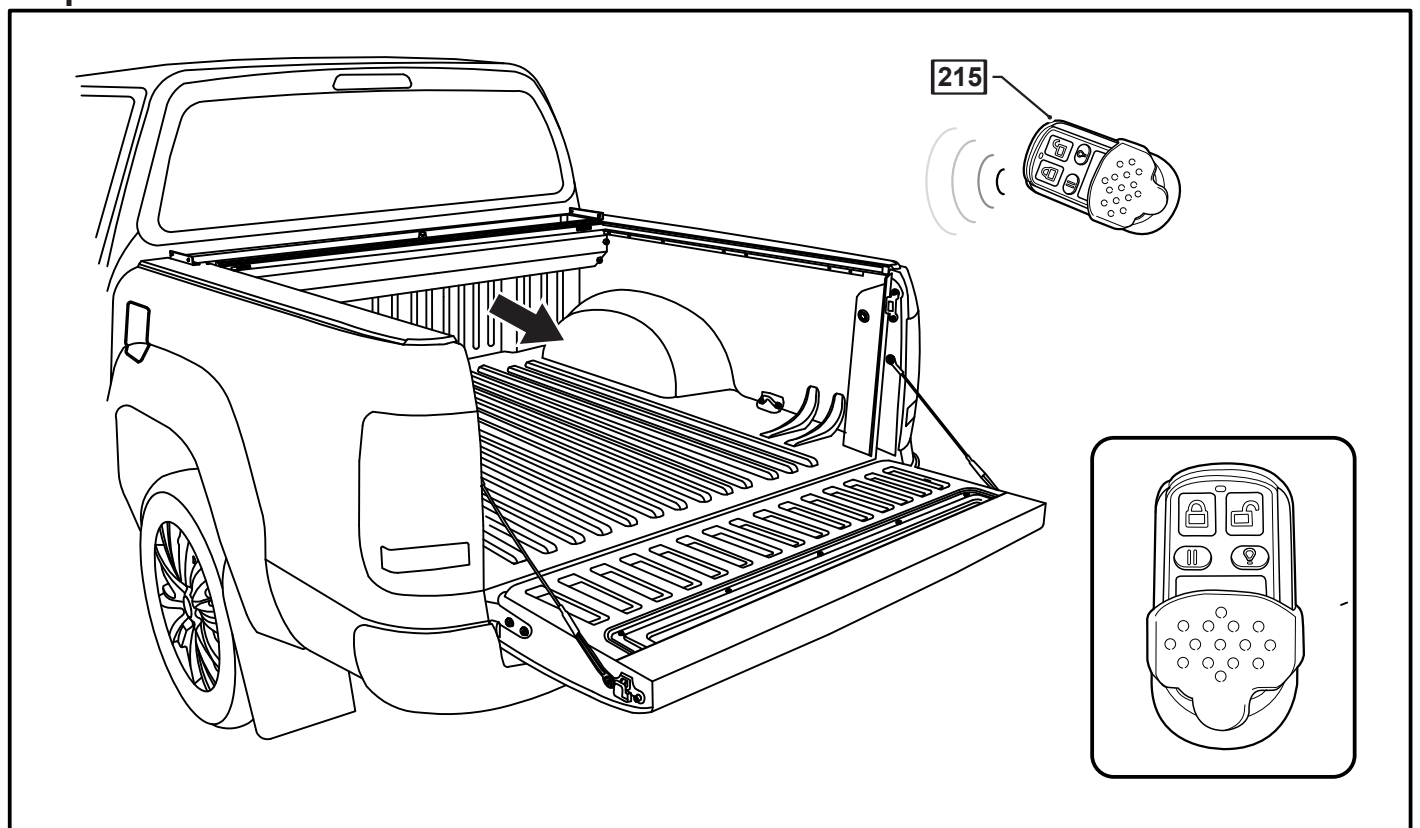
Snap fit the top cover.



– Step 38



– Step 39





Important



You may open tailgate when Roll R Cover is in closed position, however you **MUST NOT** close the tailgate when Roll R Cover curtain is in the fully closed position.

**WARNINGS!** [www.hsputelids.com](http://www.hsputelids.com)

 NO STANDING	 ENSURE LOAD IS SECURE	 OIL CHECK GLIDES OIL REGULARLY	 6Nm CHECK CLAMPS AND TIGHTEN	 kg DO NOT PLACE LOAD ON COVER	 CHECK DRAIN CLEAN CANISTER	 MECHANICAL HAZARD	 NO PEOPLE OR ANIMALS UNDER ROLL TOP
-----------------	------------------------------------	--	--	---	--------------------------------------	--------------------------	---

E. & O.E. This document is copyright and must not be used except as permitted below or under the Copyright Act 1968. You may reproduce and publish this document in whole or in part for your or your organisation's own personal or internal compliance, educational or non-commercial purposes. You must not alter or amend this document in any way. You must not reproduce or publish this document for commercial gain without the prior written consent of the copyright owner.