



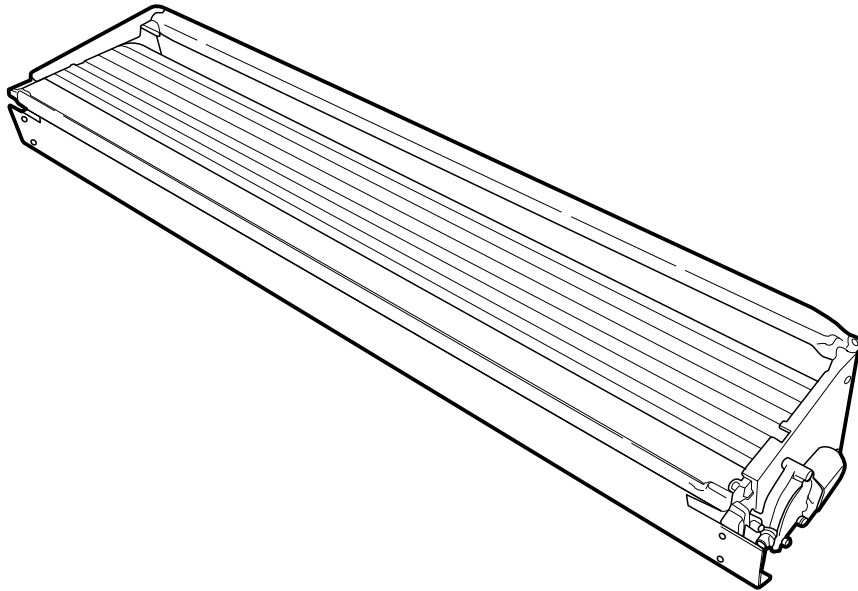
WWW.HSPUTELIDS.COM

Part No: H5R

Fitting Time: 180 minutes

ROLL.Я.COVER

To suit Toyota Hilux Revo Space Cab



Roll-R-Cover

Fitting Instructions

– General Notes

- Read through the fitting instructions before installation of accessory.
- Always install the Roll R Cover Wiring Kit following the workshop manual and fitting instructions provided. Failure to do so may cause damage to the vehicle or the accessory.
- Ensure all recyclable components and packaging are discarded and recycled following local recycling regulations.
- It is always recommended that the Roll R Cover Wiring Kit is fitted by a qualified automotive technician.
- Safely store and protect any removed vehicle components.

– Safety Notes

- Check that all work practices comply with safety standards.
- Please wear appropriate clothing and use safety equipment.



– Fitting Time



180 minutes

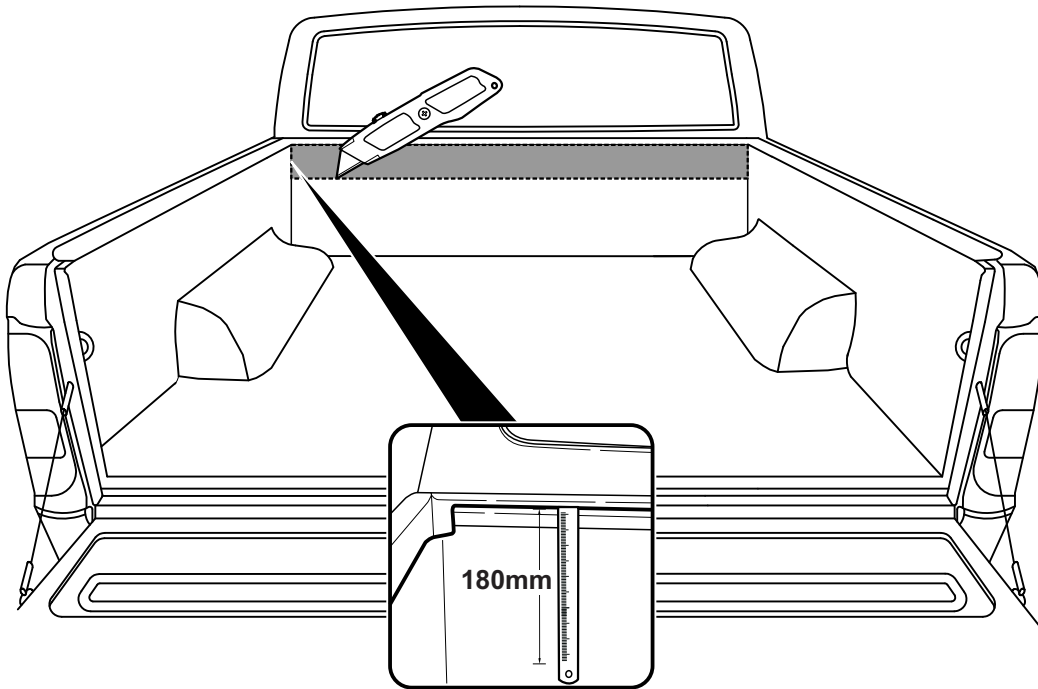
– Parts Supplied

H5R	EXTRA CAB TOYOTA HILUX SR5 (A DECK) - ROLL R COVER		
PART DESCRIPTION	PART NUMBER	QUANTITY/LENGTH	CHECK
H5R FITTING INSTRUCTIONS	370*	1	
LUBRICANT PUMP SPRAY	47*	1	
REMOTE	215*	2	
PRIMER STICK	44*	1	
CABLE TIE 4.8X300MM	217*	10	
ROLL R LOOM	216*	1	
H5R CANISTER AND CURTAIN	271*	1	
H5R RAIL RIGHTHAND	309*	1	
H5R RAIL LEFTHAND	310*	1	
HOSE 600MM	11*	4	
COMPLETE CANISTER COVER	399	1	
OPERATION LEAFLET	66	1	
MAINTENANCE LEAFLET	67	1	
ADJUSTMENT PLATES	31	2	
BLACK PUTTY	3*	8	

**The following steps are for vehicles with bed liners.
If there are no bed liners installed move to Step 5**

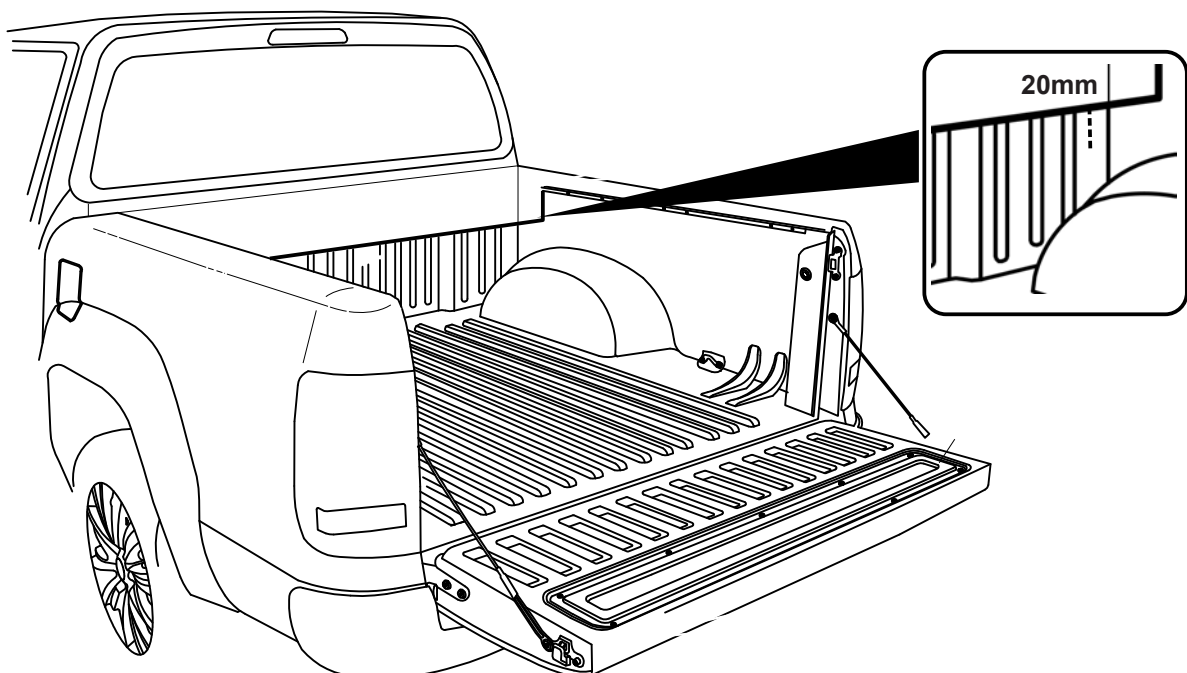
– Step 1

Trim front of bed liner by 180mm from the top of the ute bed as shown.



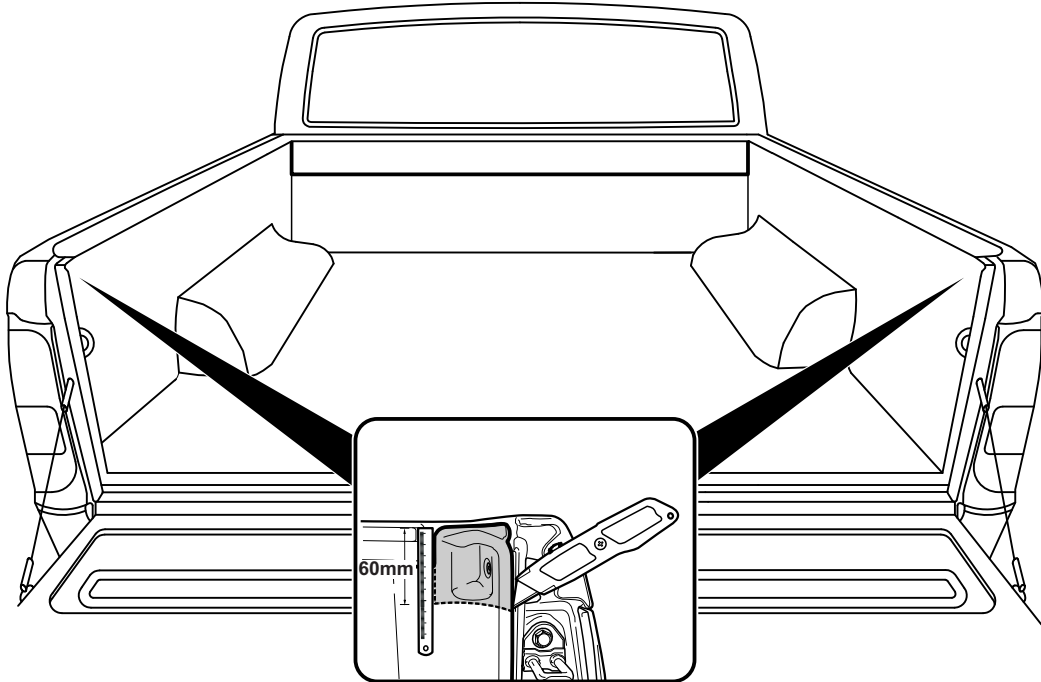
– Step 2

Cut a 20mm split for bed liner to flex.



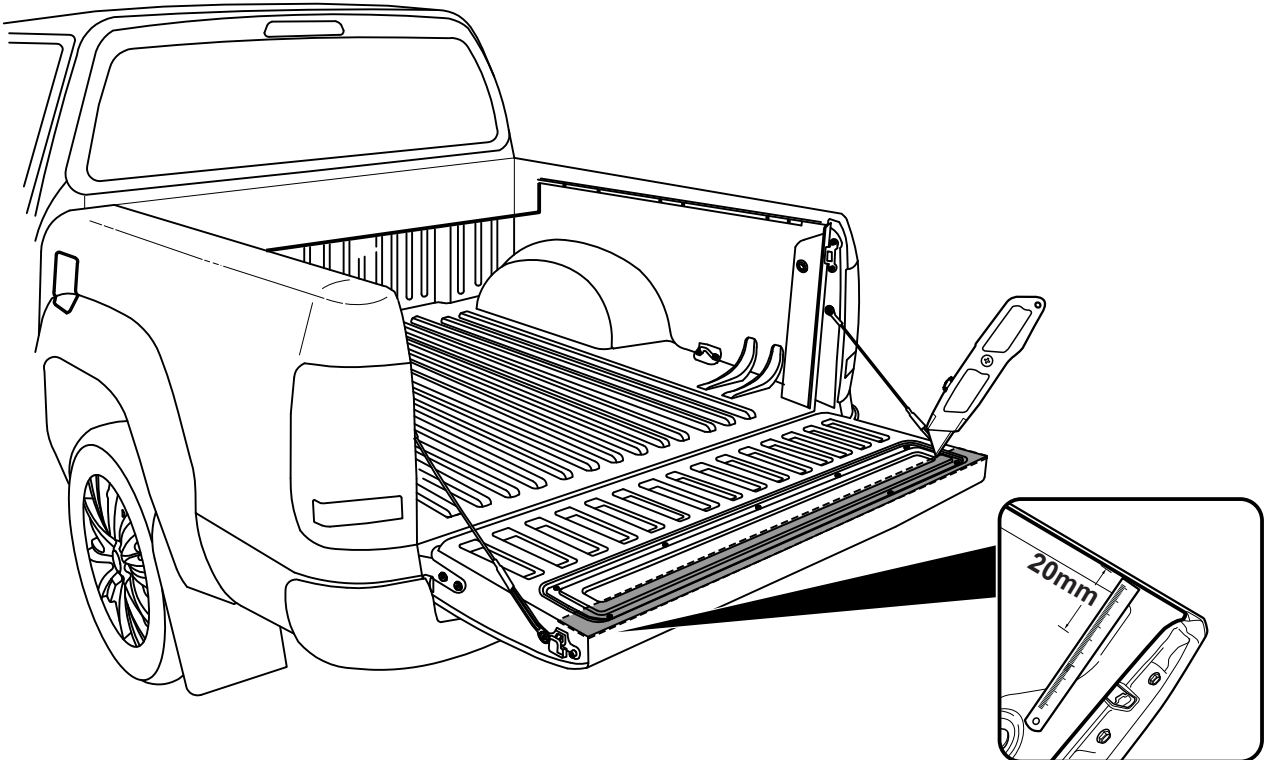
– Step 3

Measure 60mm from top of tub and trim liner.



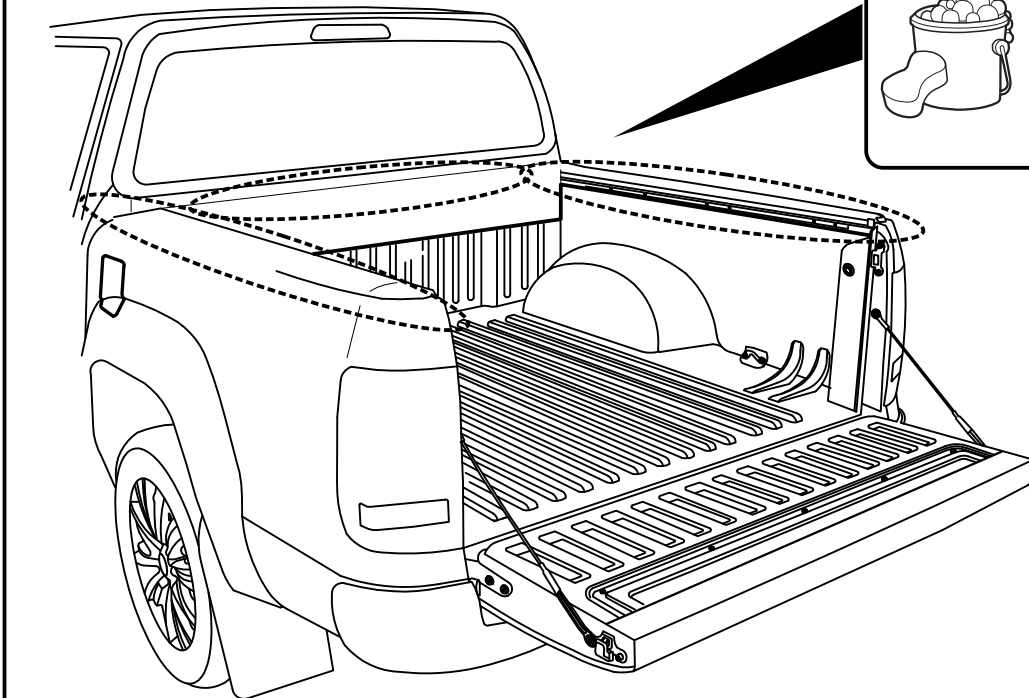
– Step 4

Measure 20mm down from top of tailgate and trim tailgate liner.



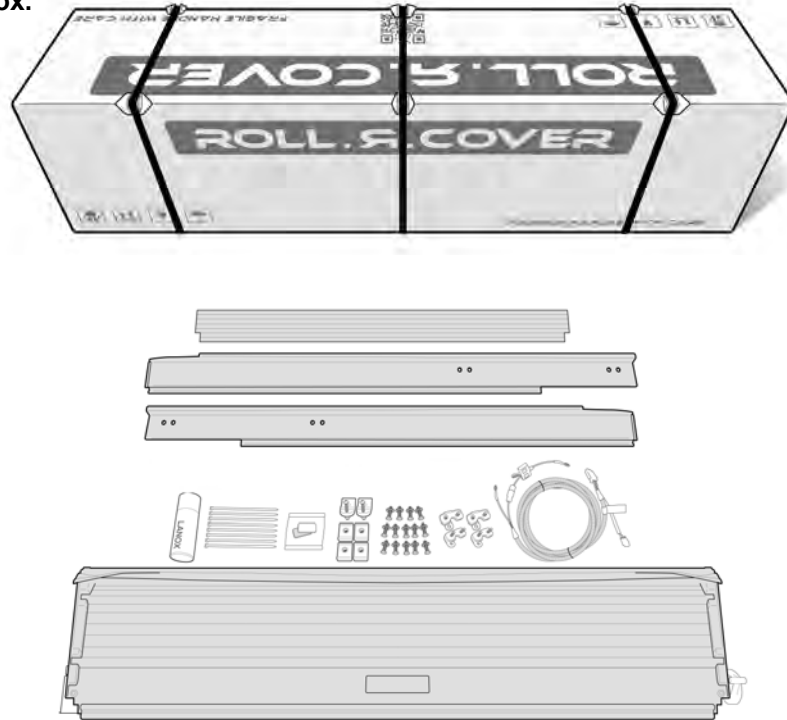
— Step 5 —

Roll-R-Cover preparation steps

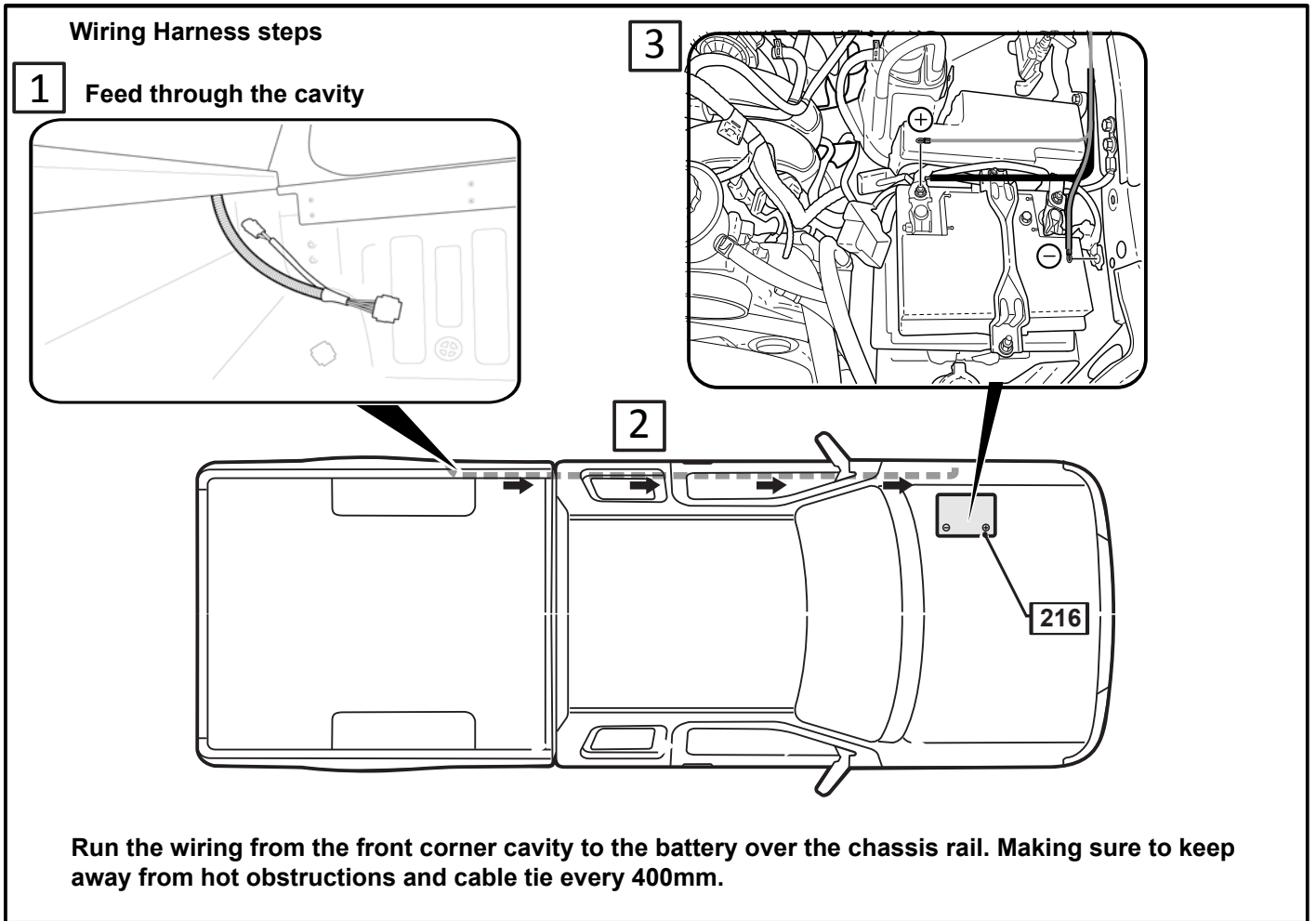


— Step 6 —

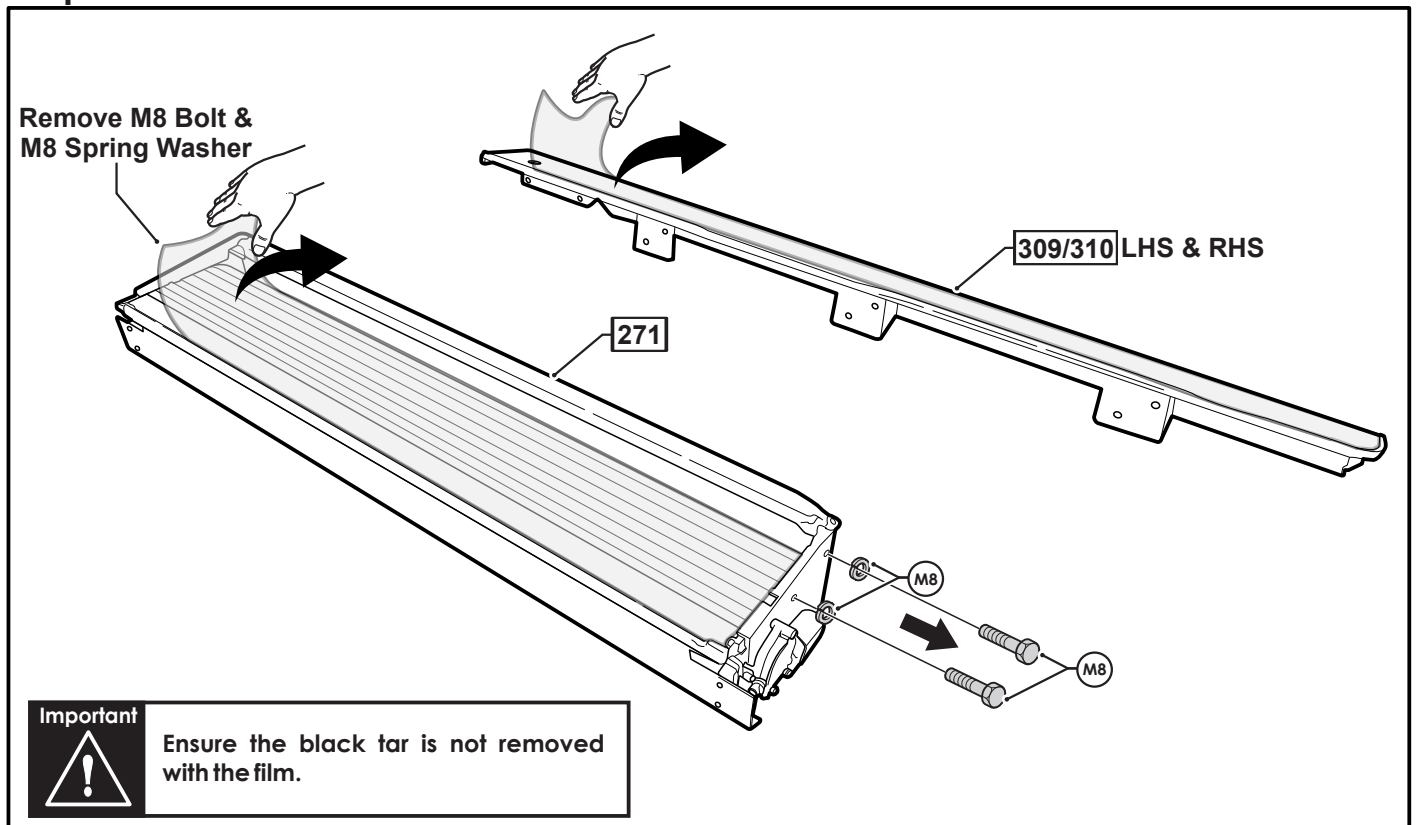
Carefully unpack the box.



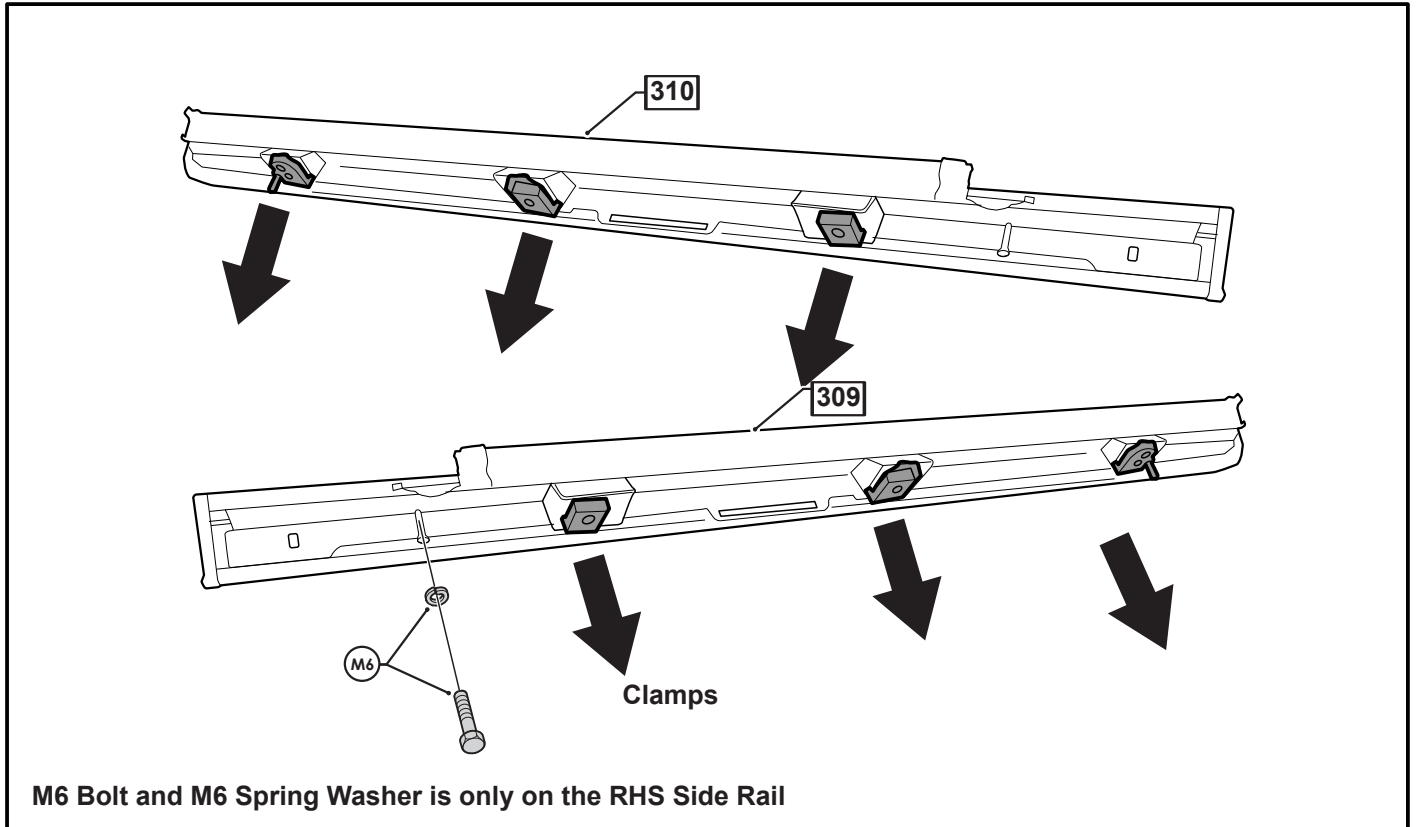
– Step 7



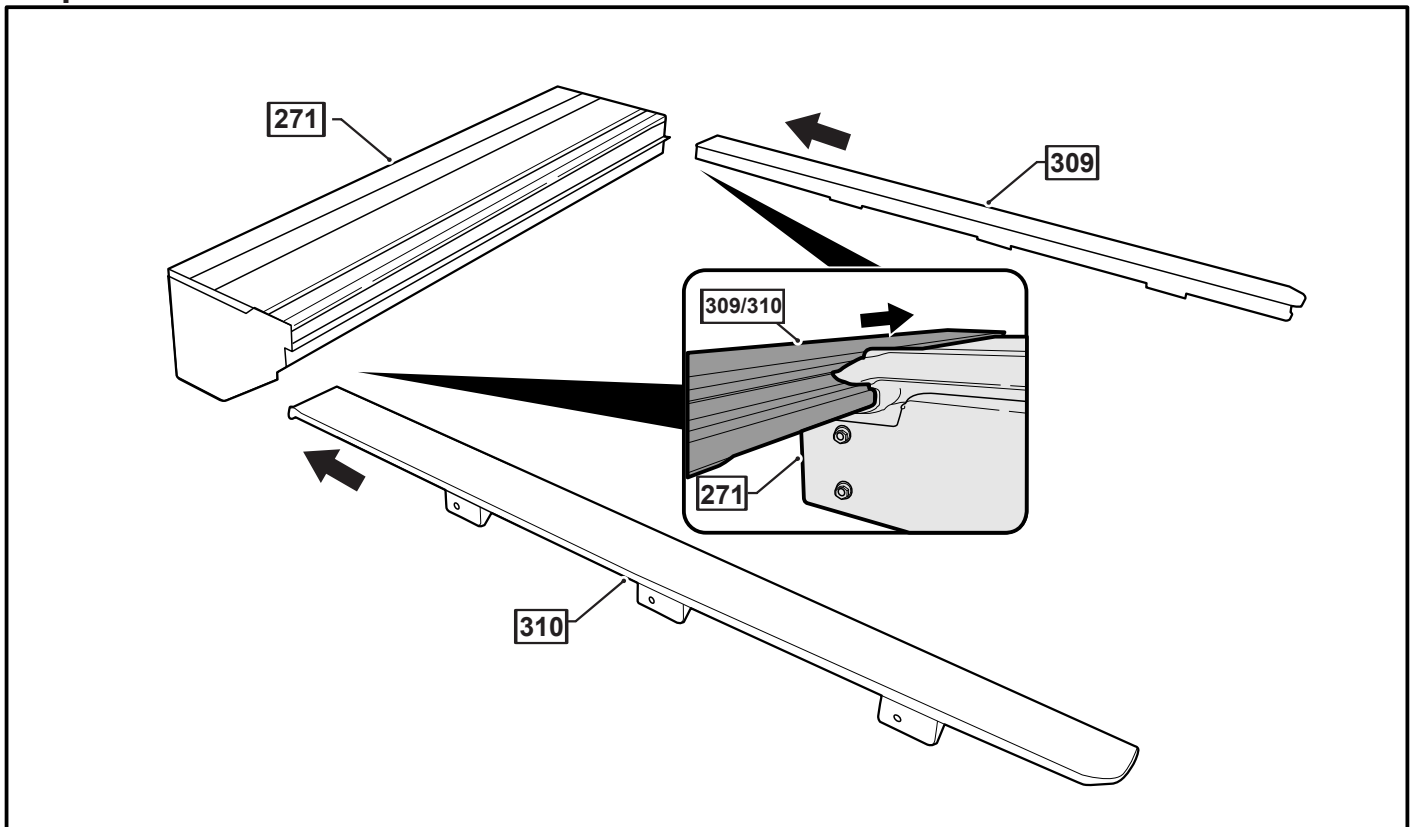
– Step 8



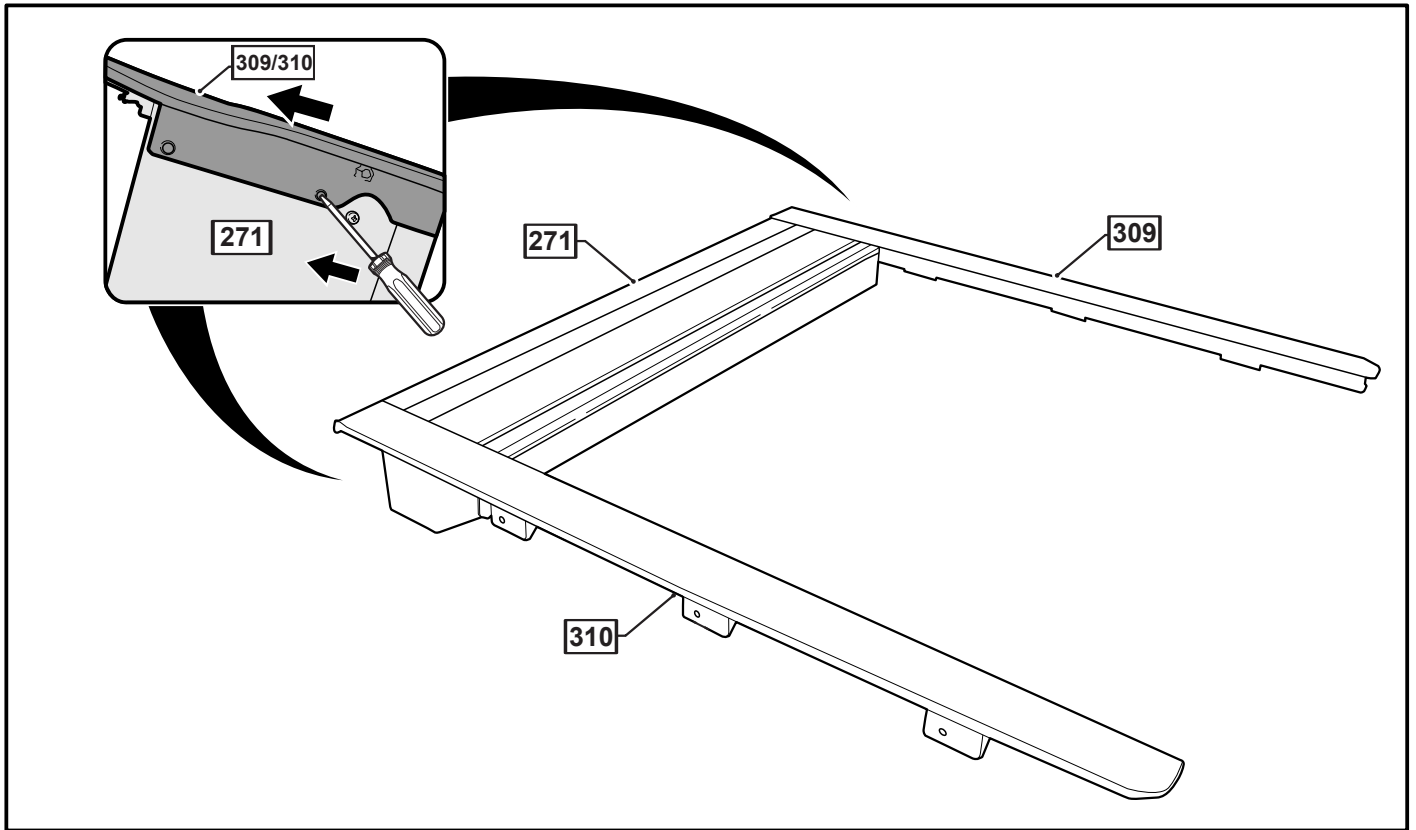
— Step 9 —



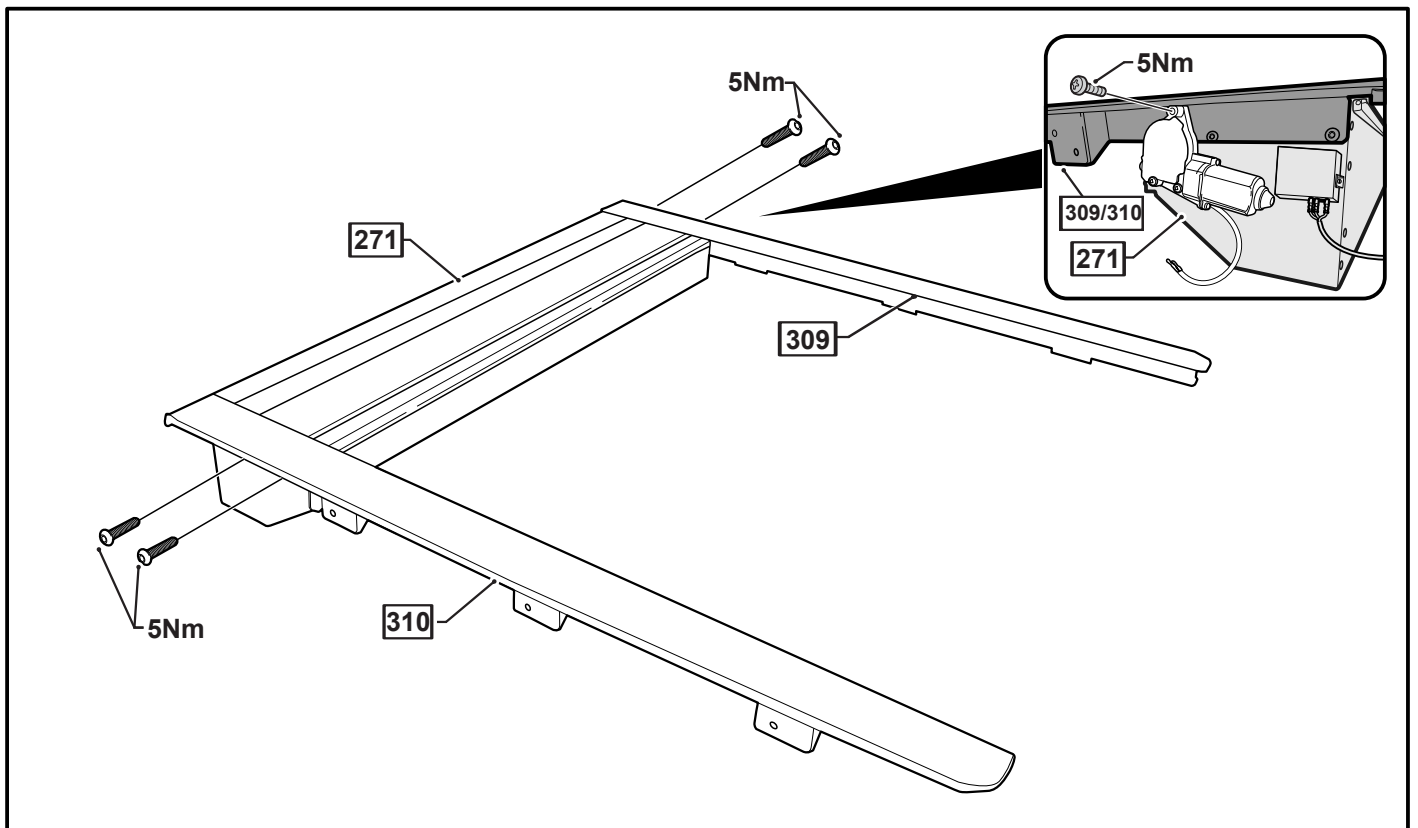
— Step 10 —



– Step 11

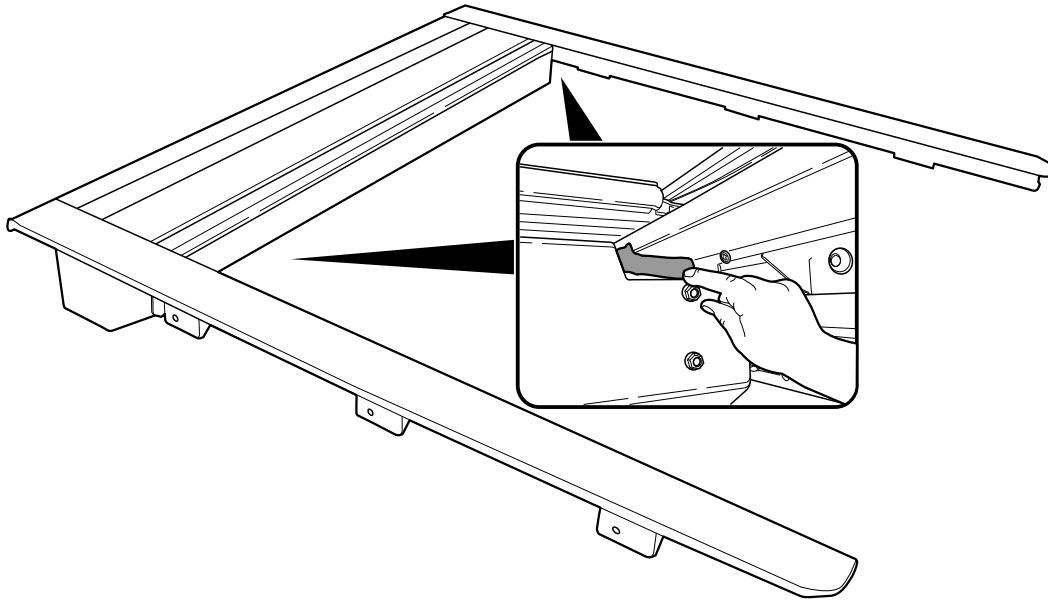


– Step 12



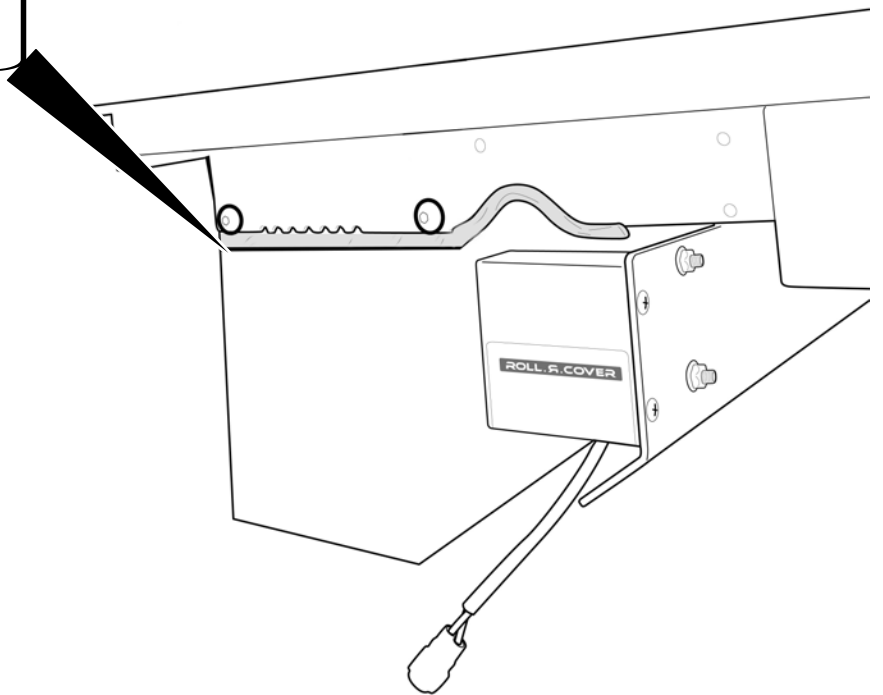
– Step 13

Apply tar sealant to the gap under water channel.

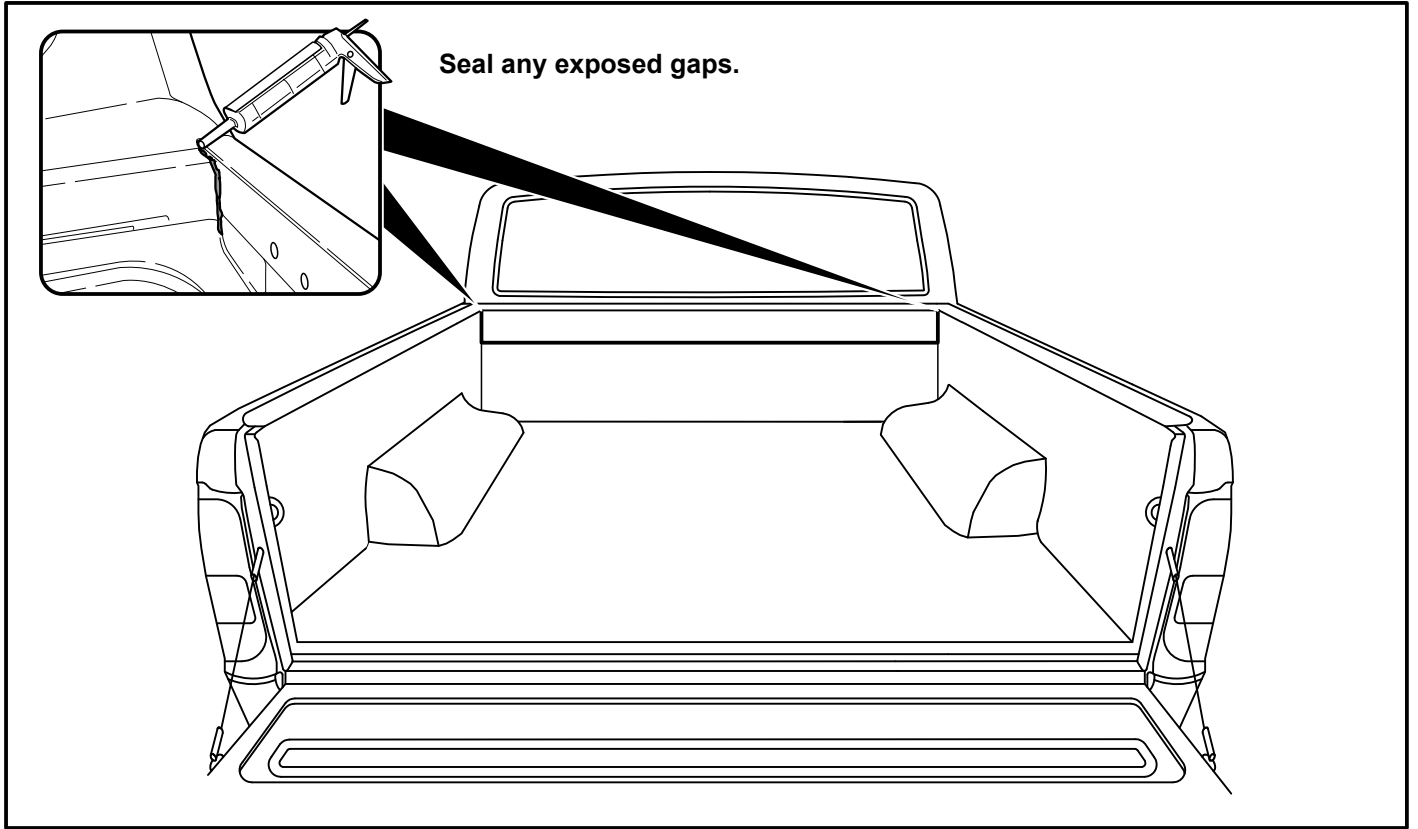


– Step 14

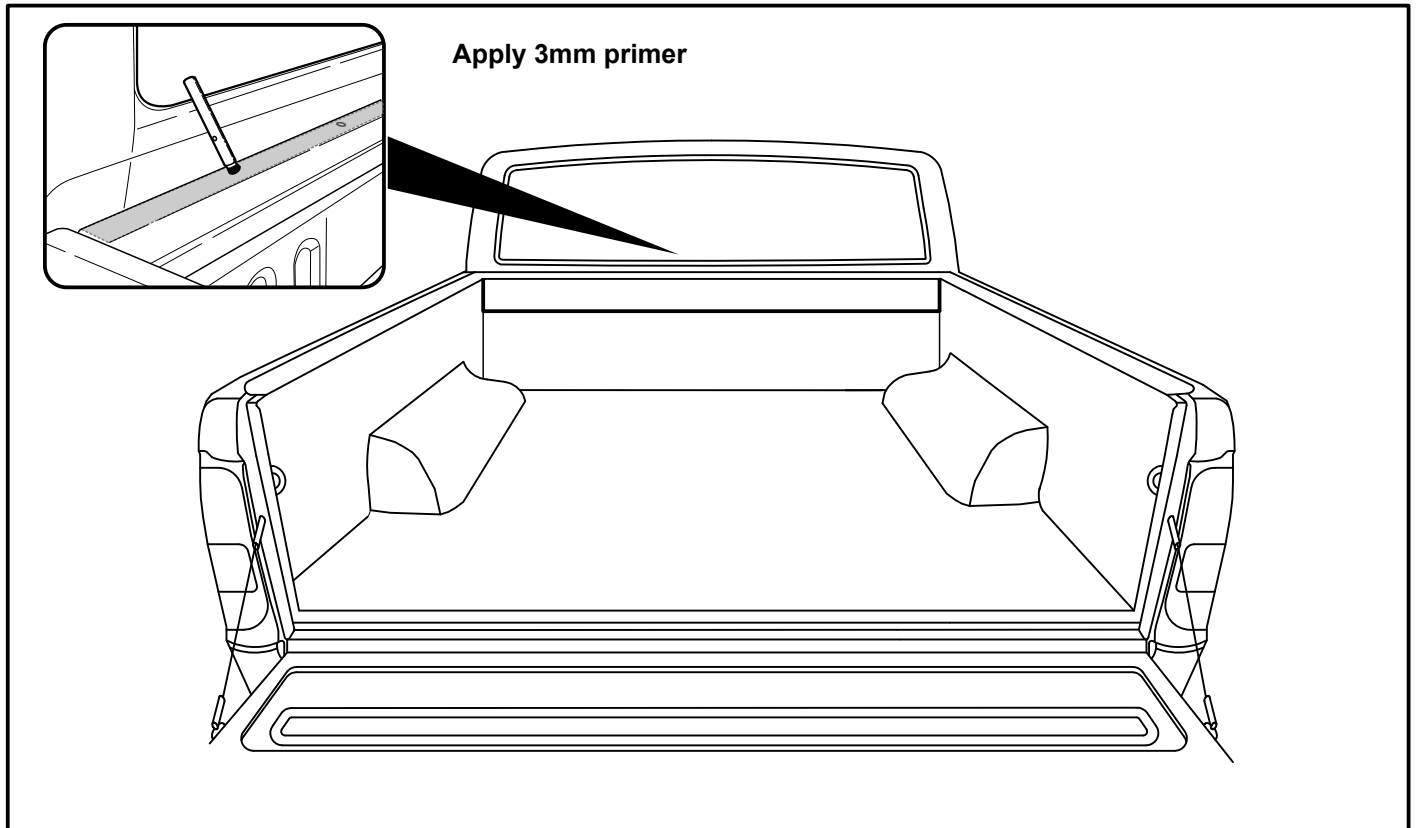
Apply tar sealant to both sides of the canister as shown (where accessible).



— Step 15 —

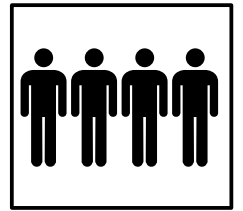
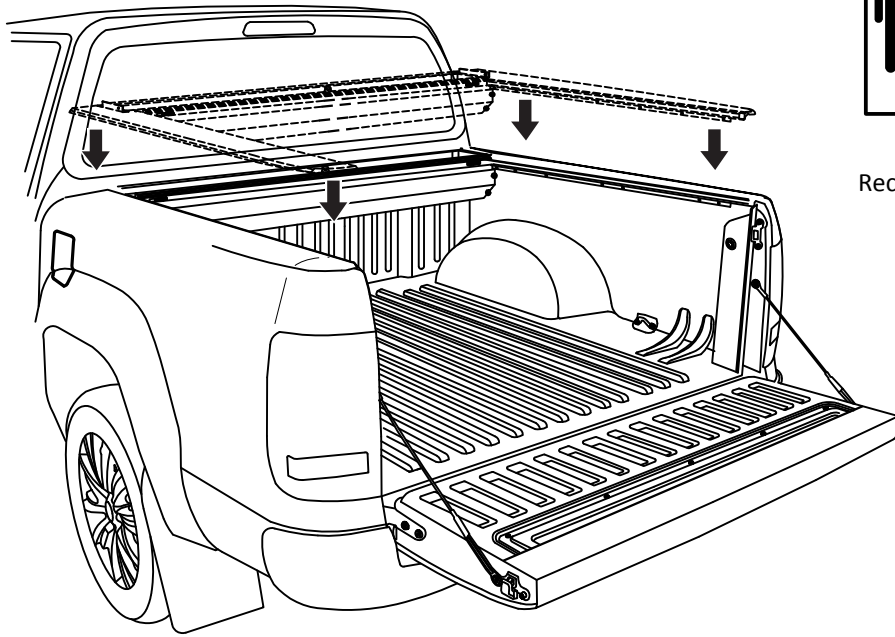


— Step 16 —



– Step 17

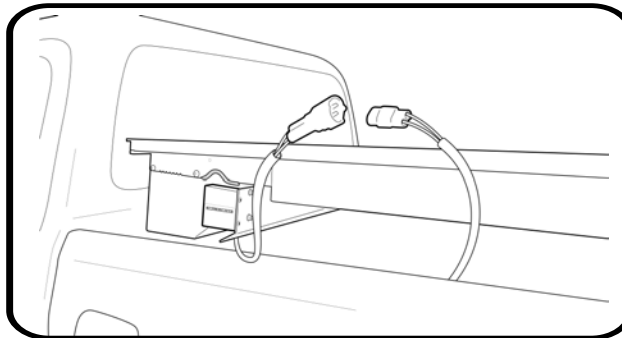
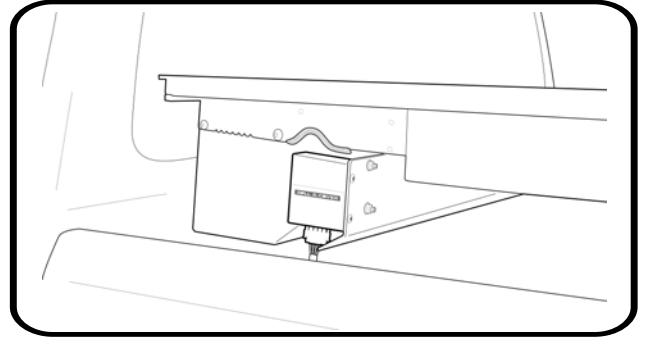
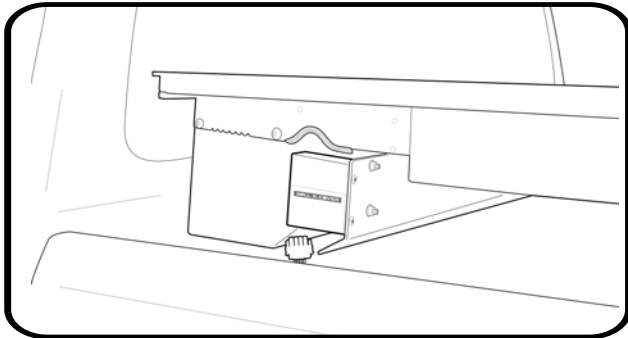
Installing the Roll-R-Cover



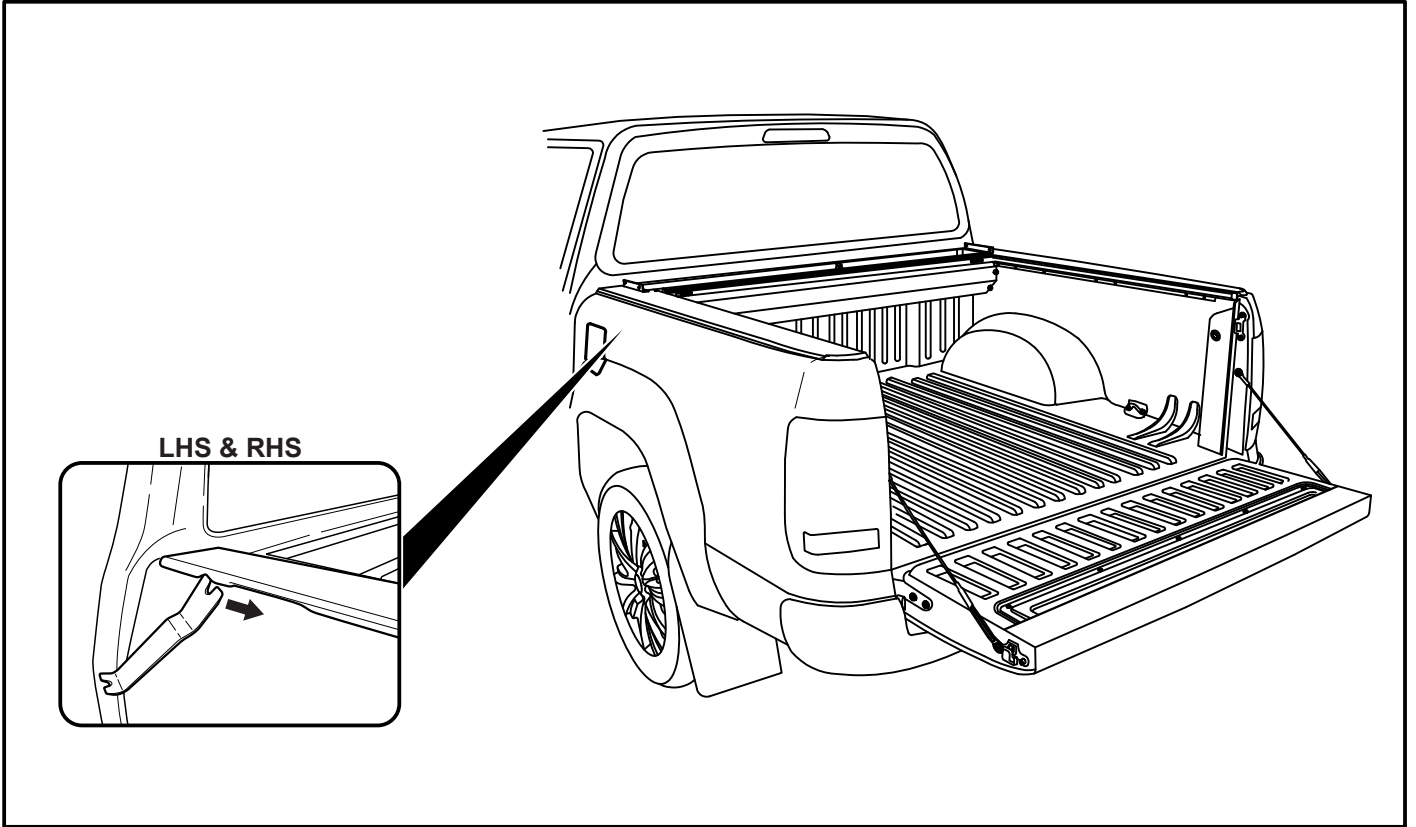
4 People
Recommended for lift

– Step 18

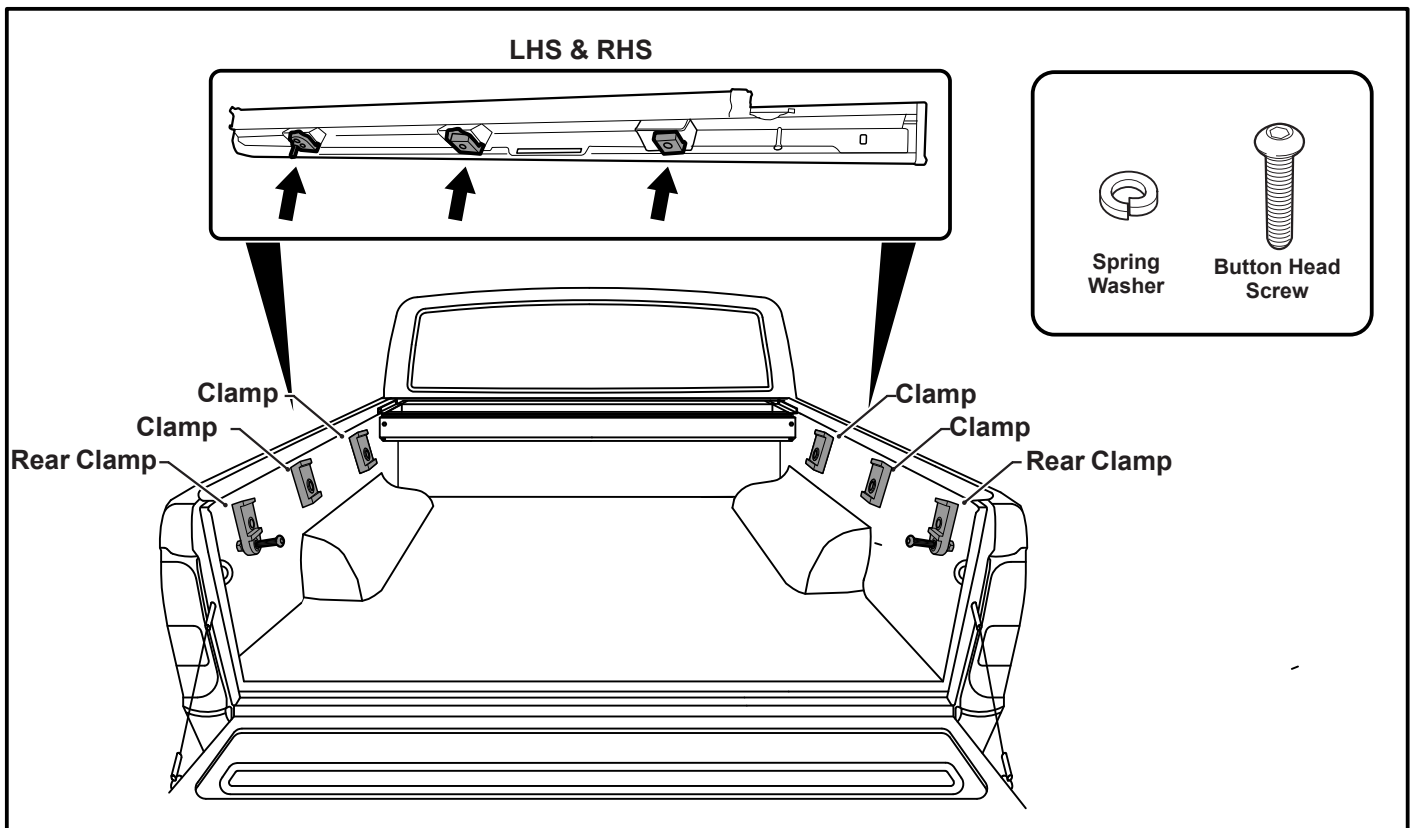
Before dropping the Roll R cover into place on the tub, connect all relevant connections or plugs to the receiver and motor plug connection.



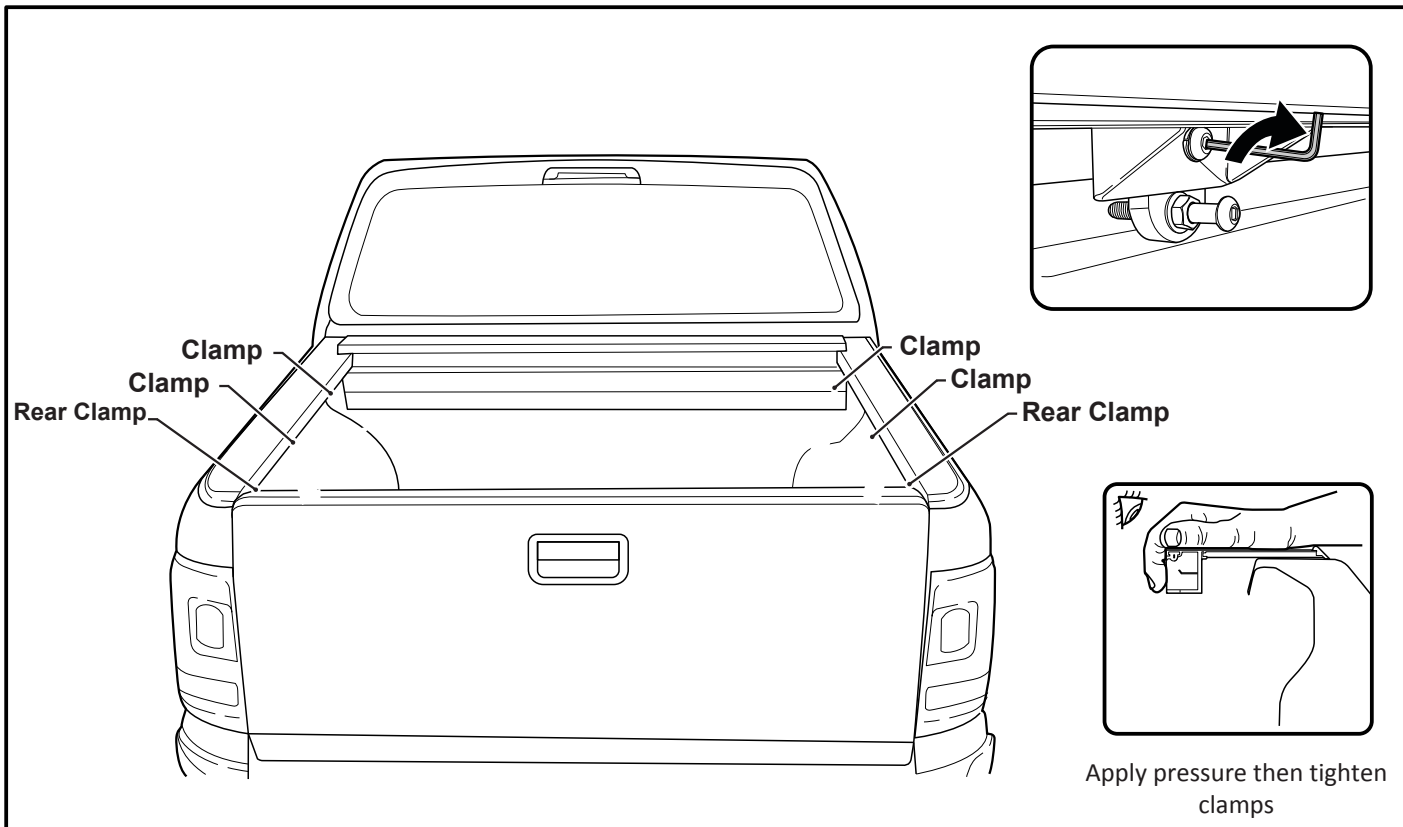
– Step 19



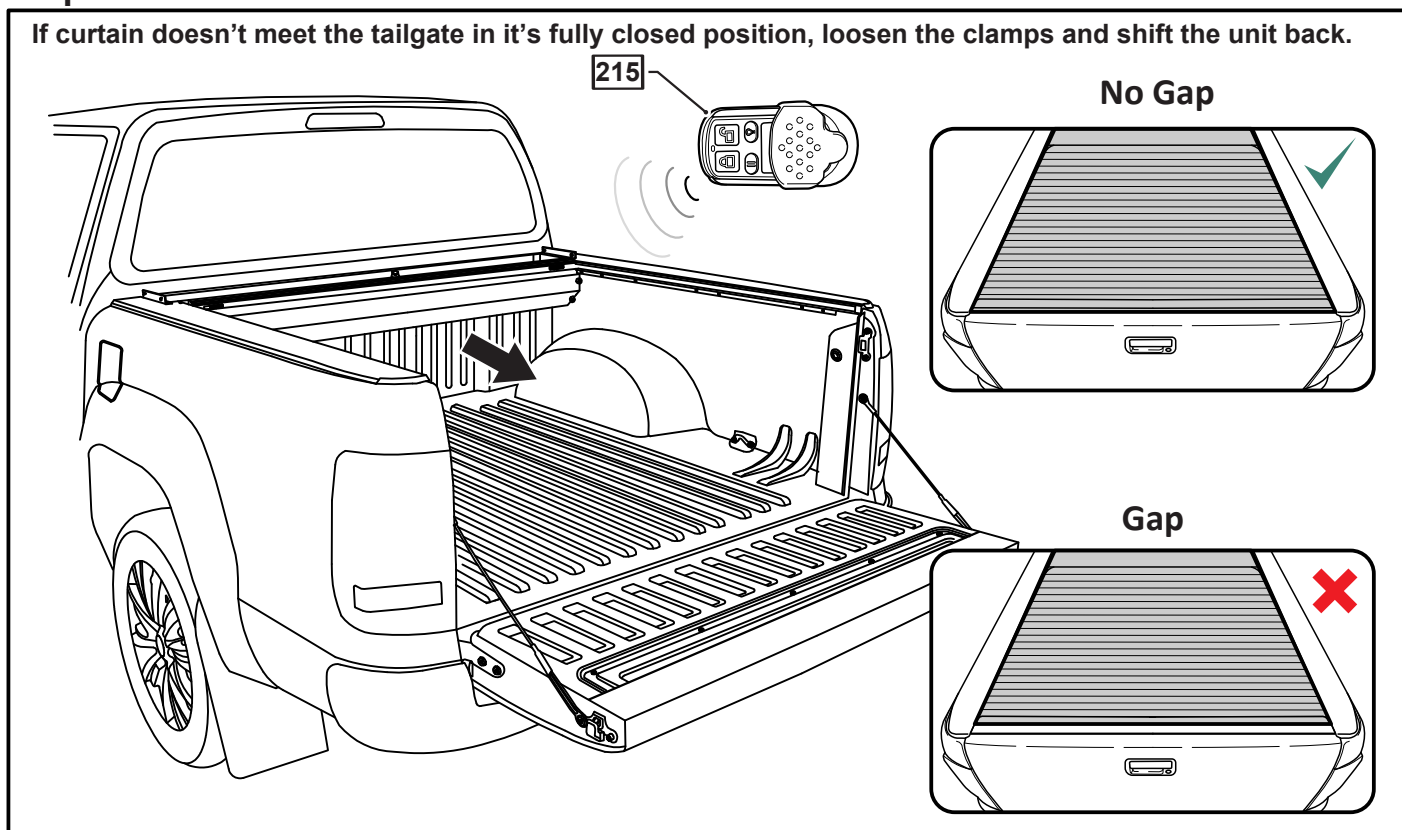
– Step 20



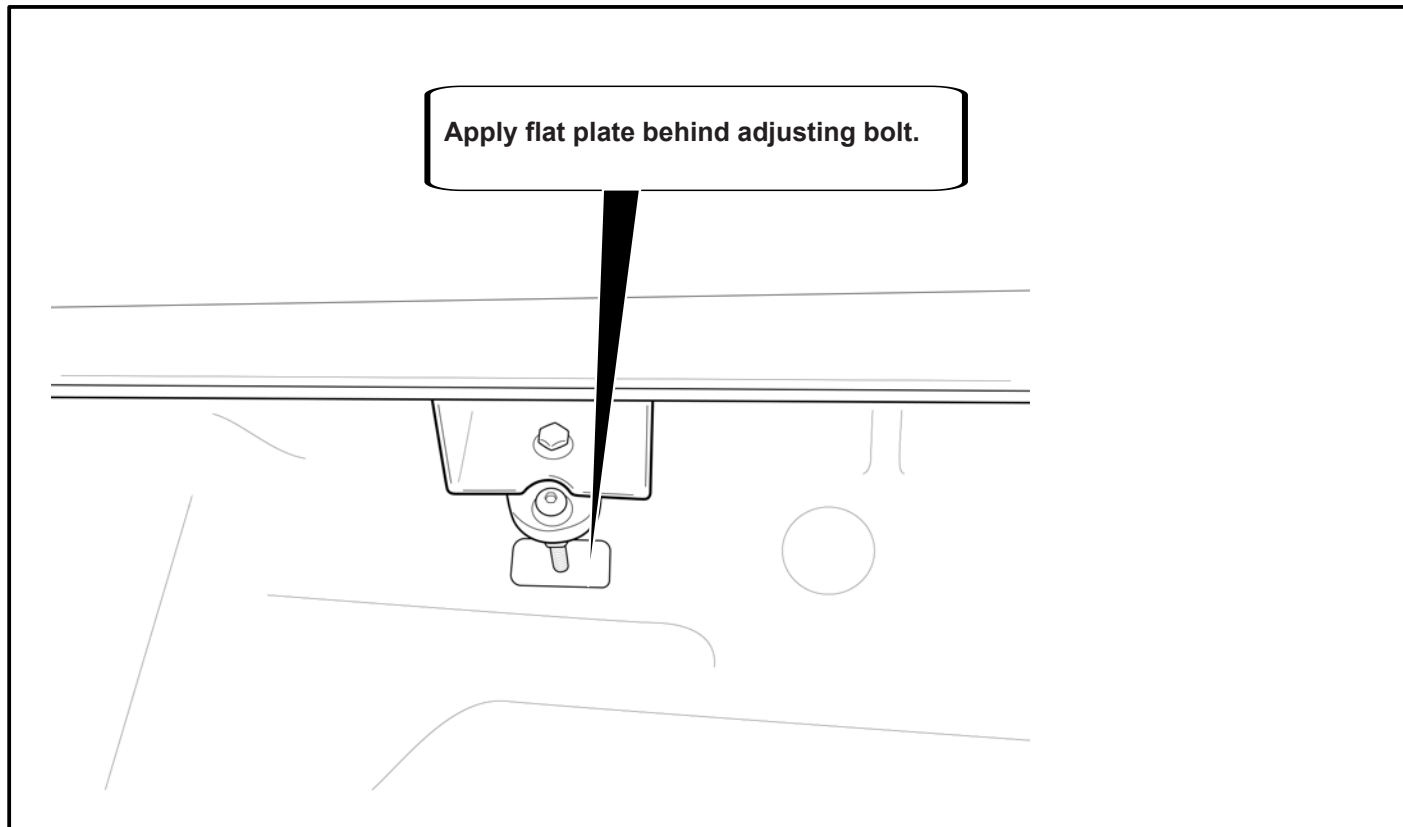
– Step 21



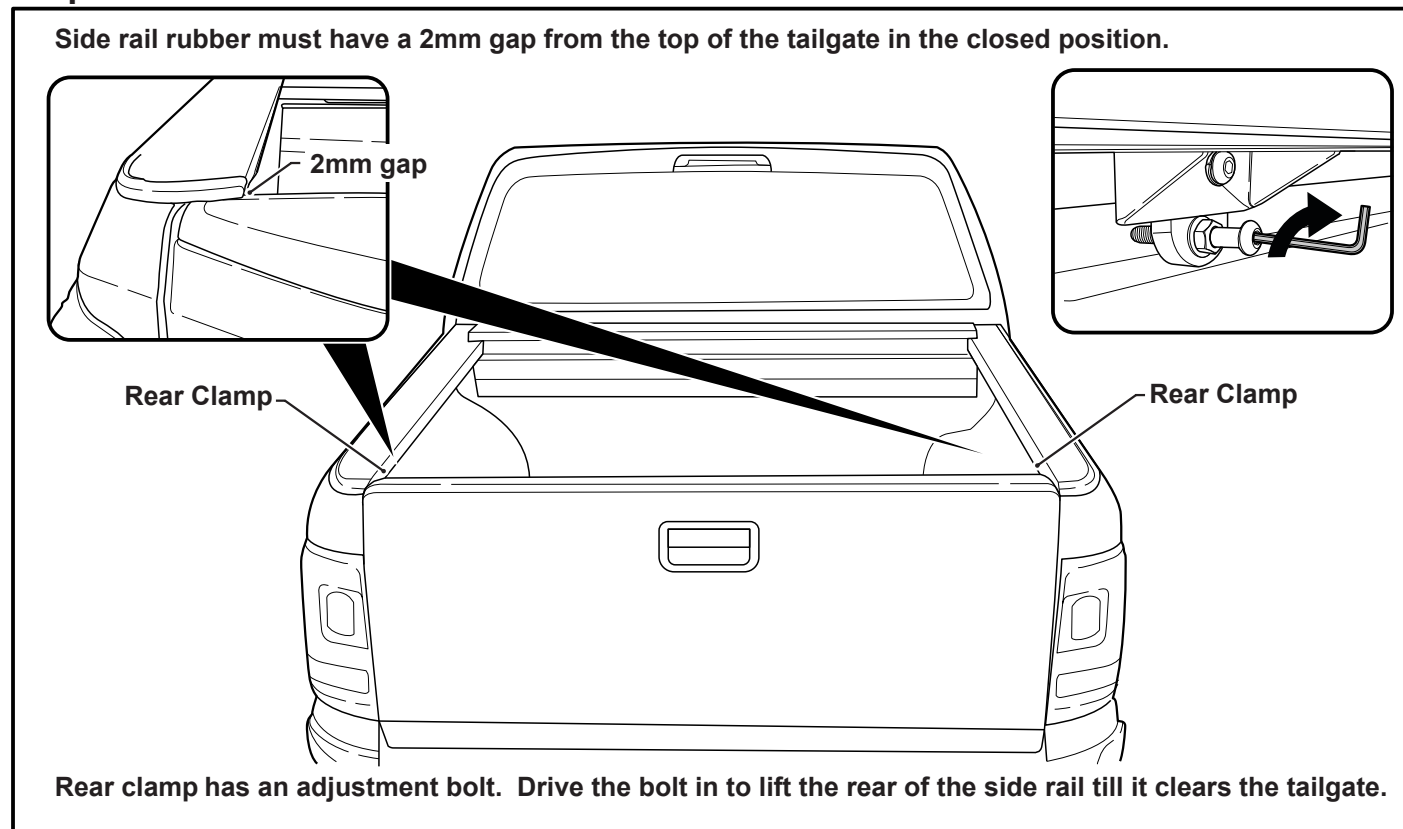
– Step 22



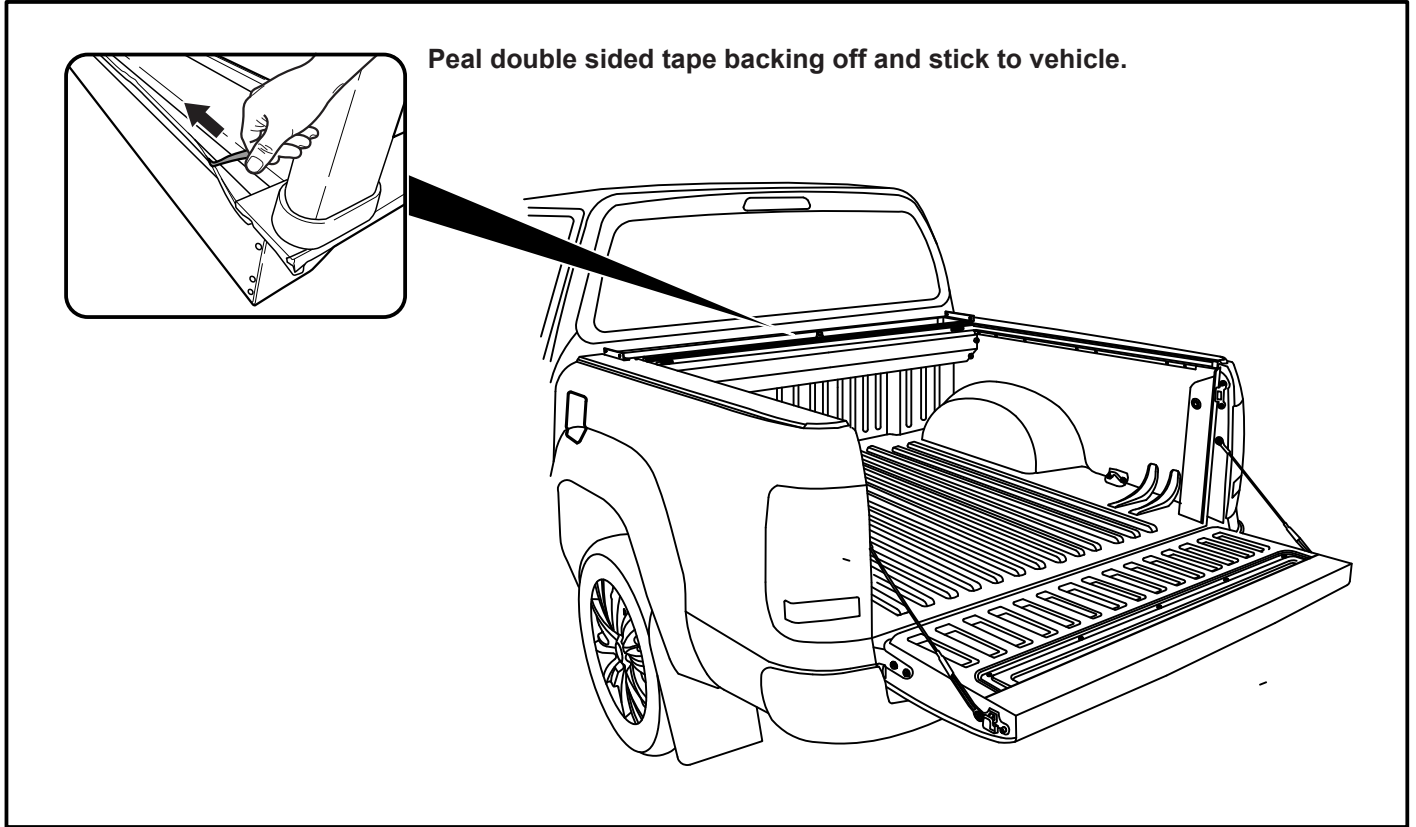
– Step 23



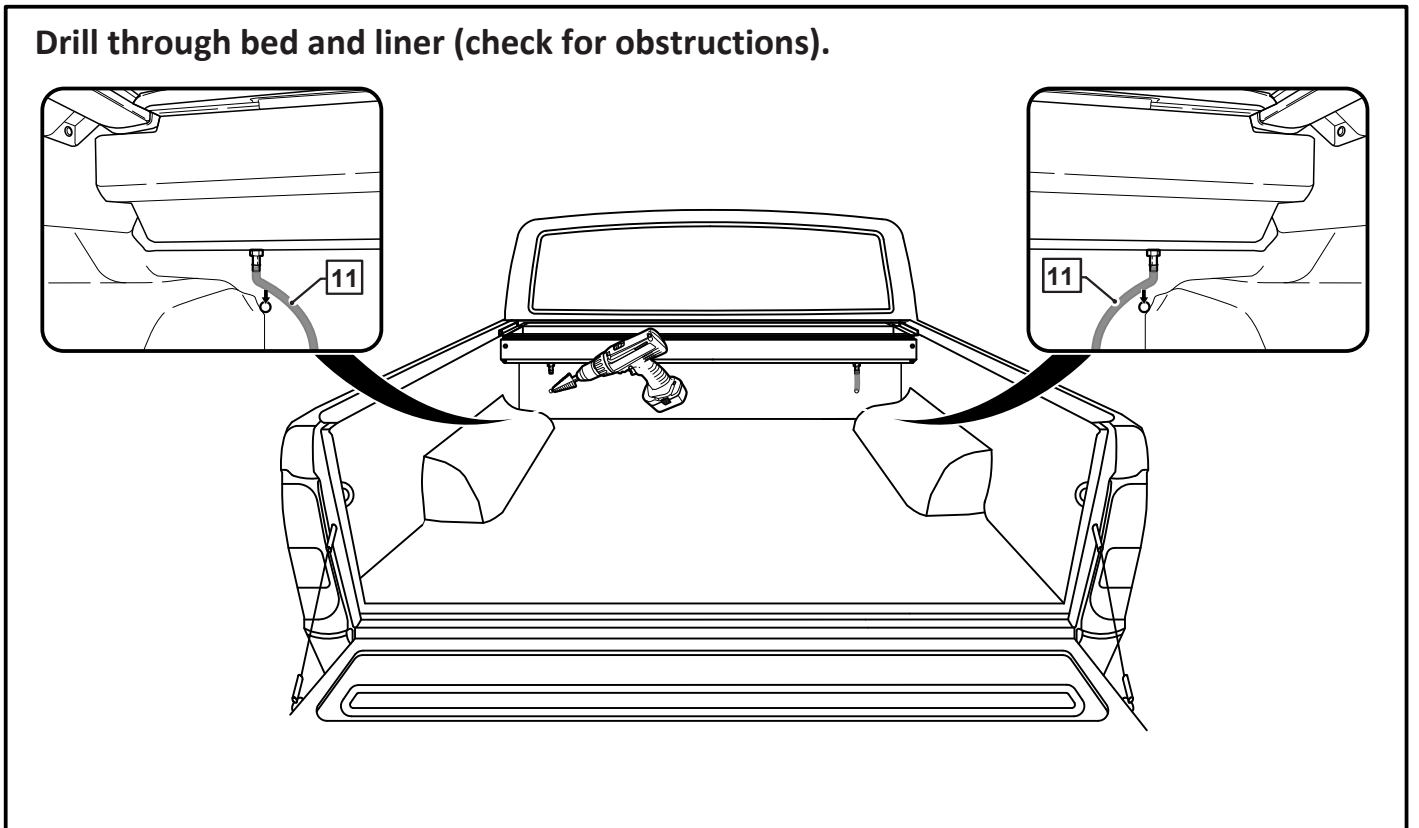
– Step 24



– Step 25

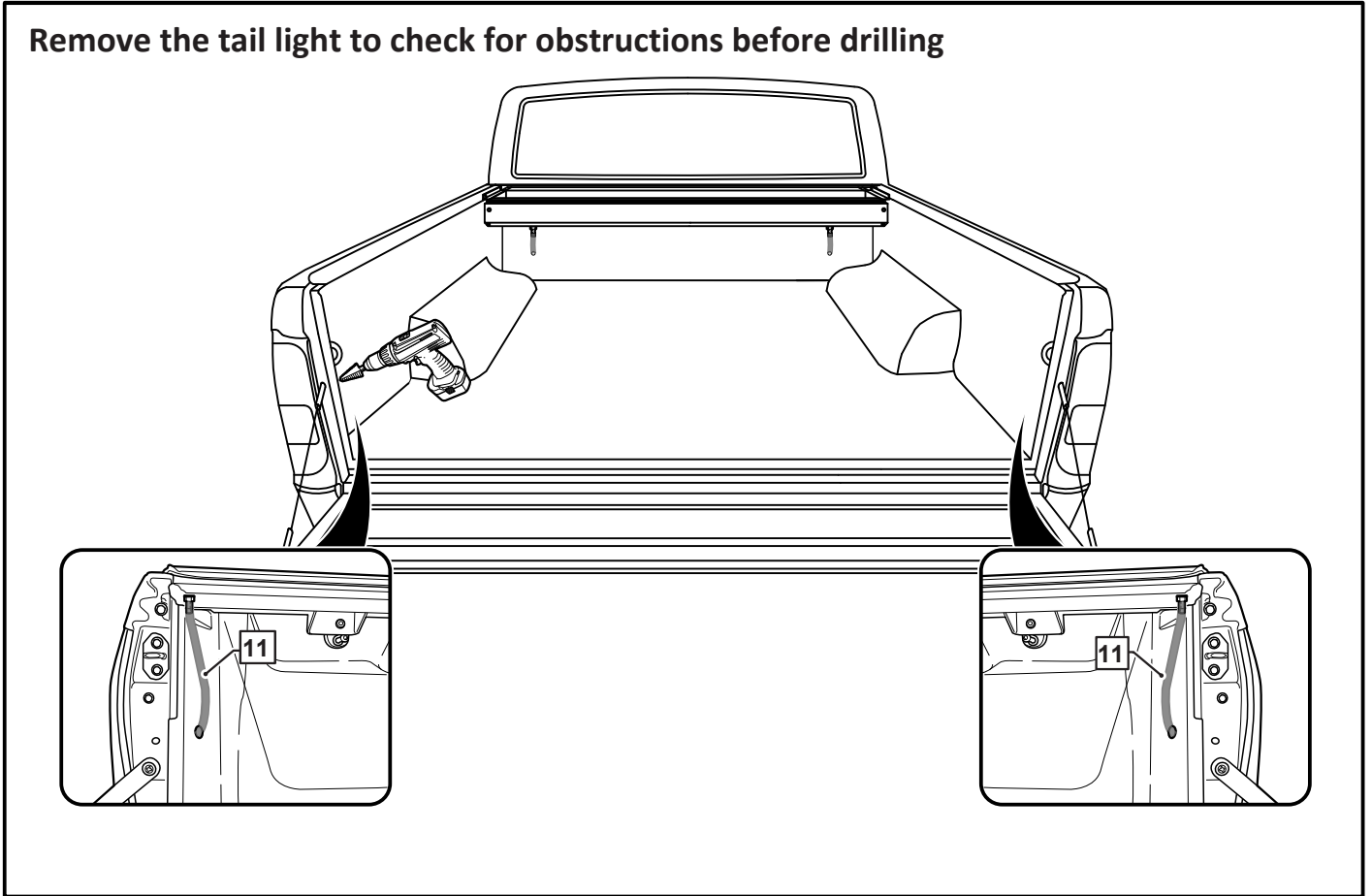


– Step 26



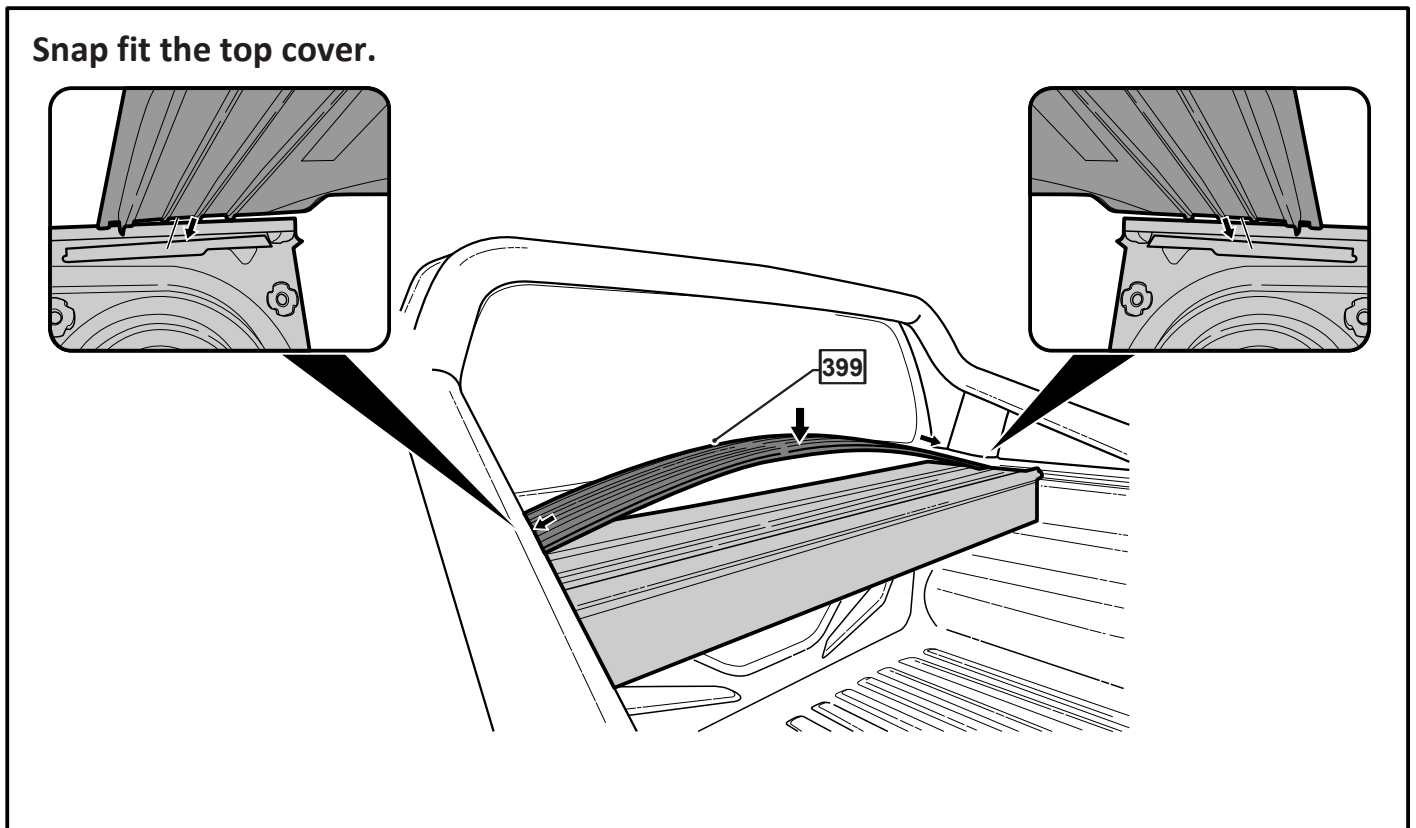
– Step 27

Remove the tail light to check for obstructions before drilling

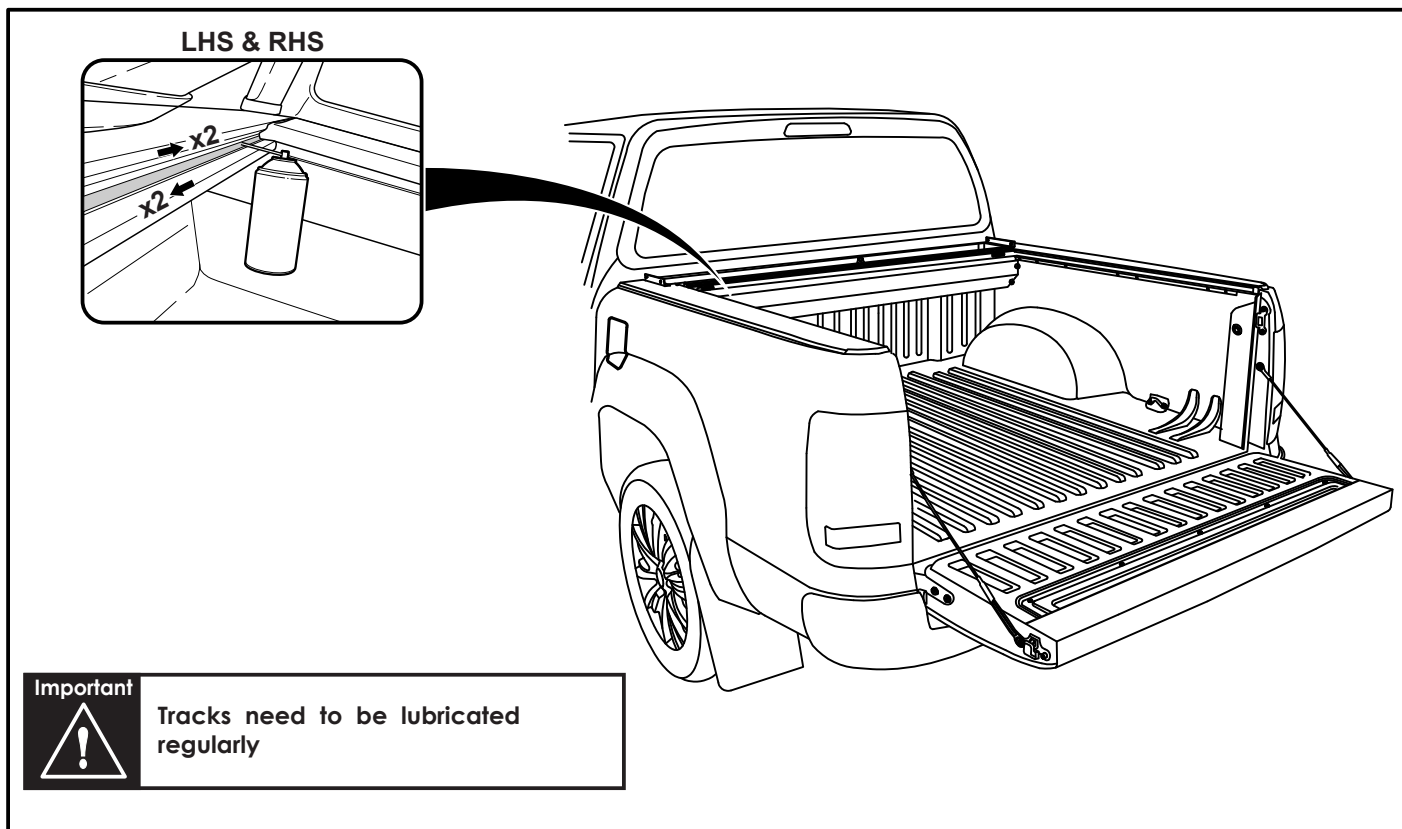


– Step 28

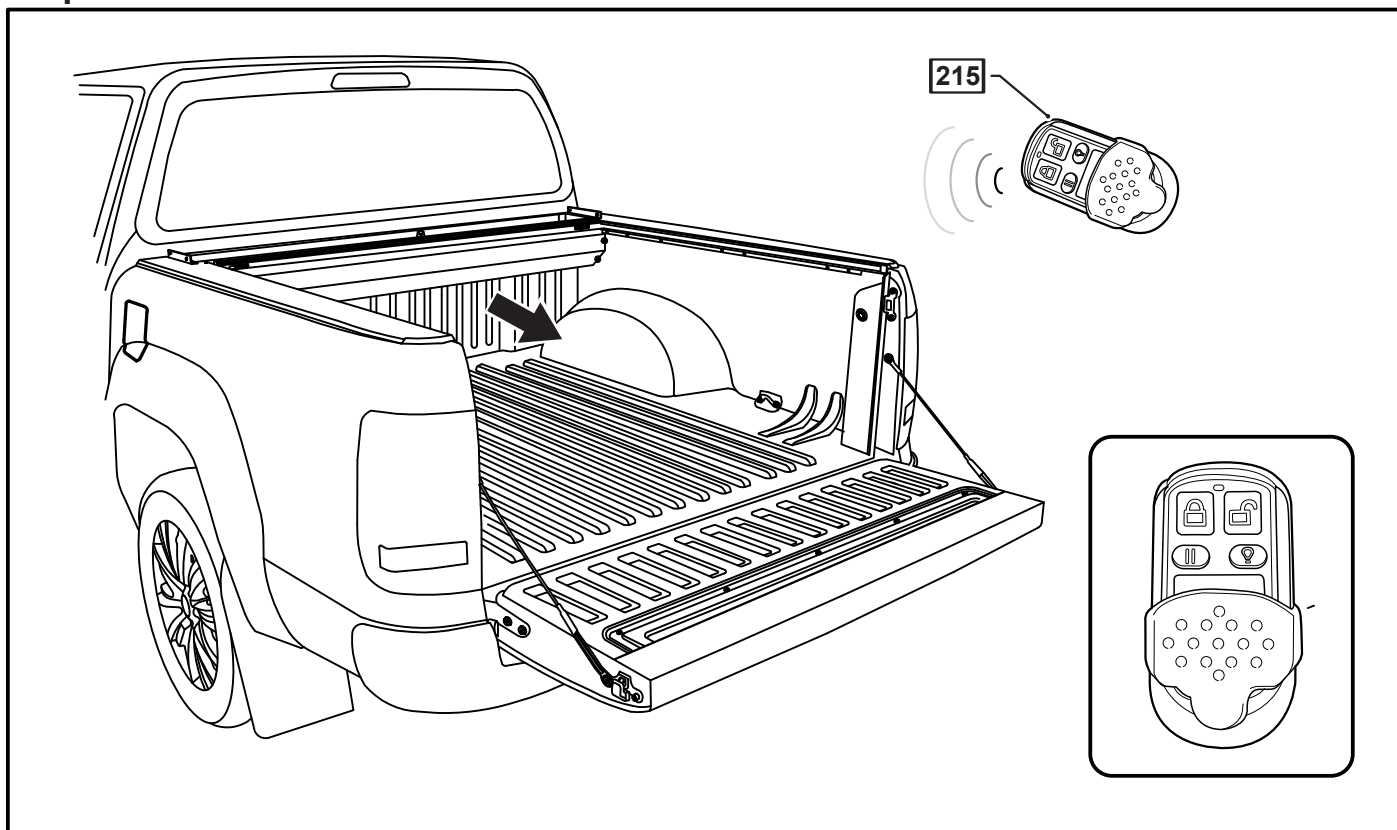
Snap fit the top cover.



– Step 29



– Step 30



Important



You may open tailgate when Roll R Cover is in closed position, however you **MUST NOT** close the tailgate when Roll R Cover curtain is in the fully closed position.

WARNINGS! www.hsputelids.com

 NO STANDING	 ENSURE LOAD IS SECURE	 OIL CHECK GLIDES OIL REGULARLY	 6Nm CHECK CLAMPS AND TIGHTEN	 kg DO NOT PLACE LOAD ON COVER	 CHECK DRAIN CLEAN CANISTER	 MECHANICAL HAZARD	 NO PEOPLE OR ANIMALS UNDER ROLL TOP
-----------------	------------------------------------	--	--	---	--------------------------------------	--------------------------	---