



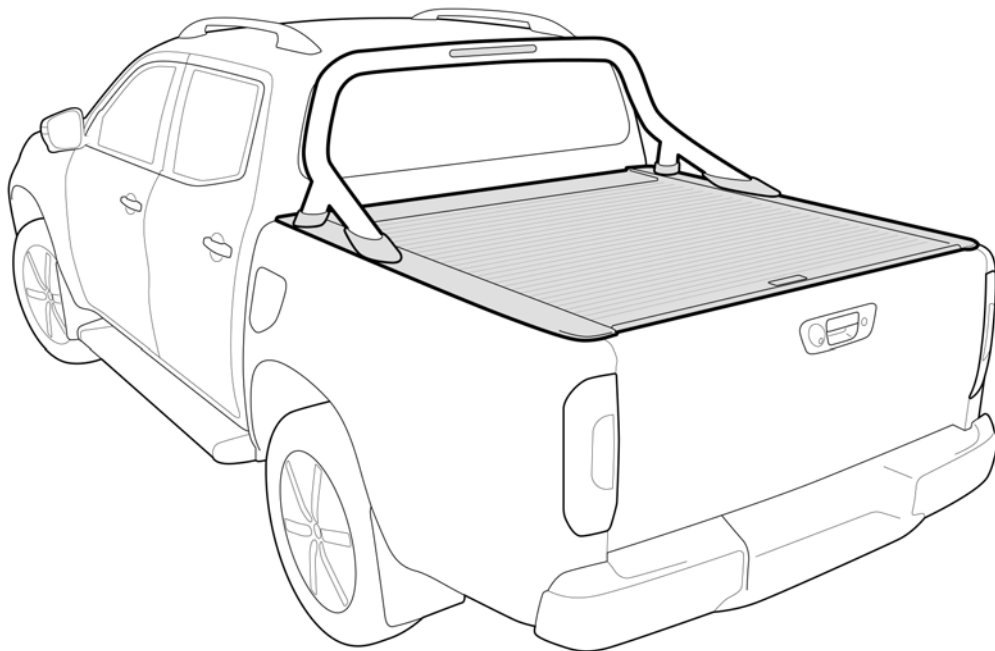
WWW.HSPUTELIDS.COM

Part No: MX42R

Fitting Time: 180 minutes

ROLL-R-COVER

To suit Mercedes Benz X Class 2018+ with sports bars



Roll-R-Cover

Fitting Instructions

– General Notes

- Read through the fitting instructions before installation of accessory.
- Always install the Roll R Cover Wiring Kit following the workshop manual and fitting instructions provided. Failure to do so may cause damage to the vehicle or the accessory.
- Ensure all recyclable components and packaging are discarded and recycled following local recycling regulations.
- It is always recommended that the Roll R Cover Wiring Kit is fitted by a qualified automotive technician.
- Safely store and protect any removed vehicle components.

– Safety Notes

- Check that all work practices comply with safety standards.
- Please wear appropriate clothing and use safety equipment.



– Fitting Time



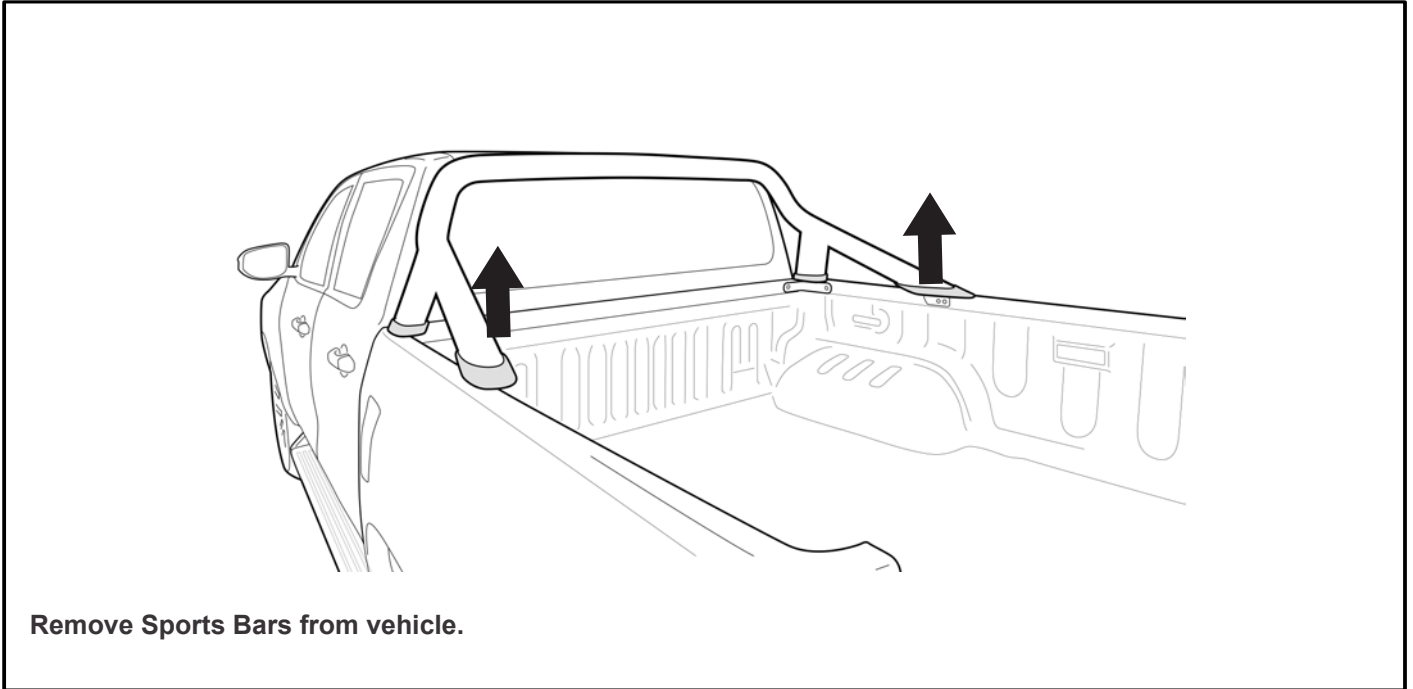
180 minutes

– Parts Supplied

MX42R		DUAL CAB MERCEDES BENZ XCLASS WITH SPORTS BAR MOUNTING KIT - ROLL R COVER		
PART DESCRIPTION	PART NUMBER	QUANTITY/LENGTH	CHECK	
MX42R FITTING INSTRUCTIONS	374*	1		
LUBRICANT PUMP SPRAY	47*	1		
REMOTE	215*	2		
PRIMER STICK	44*	1		
CABLE TIE 4.8X300MM	217*	10		
ROLL R LOOM	216*	1		
MX4R CANISTER AND CURTAIN	273*	1		
MX42R RAIL RIGHTHAND	317*	1		
MX42R RAIL LEFTHAND	318*	1		
C4(1) GASKET	229*	4		
P4(1) GASKET	228*	1		
MX42R BRACKET	354*	4		
M8 NYLOC NUT	28*	4		
M8 FLAT WASHER	34	4		
HOSE 600MM	11*	4		
COMPLETE CANISTER COVER	401	1		
OPERATION LEAFLET	66	1		
MAINTENANCE LEAFLET	67	1		
ADJUSTMENT PLATES	31	2		
BLACK PUTTY	3*	8		

The following steps are for vehicles fitted with a Sportsbar (kit will only work with OE Sportsbar).

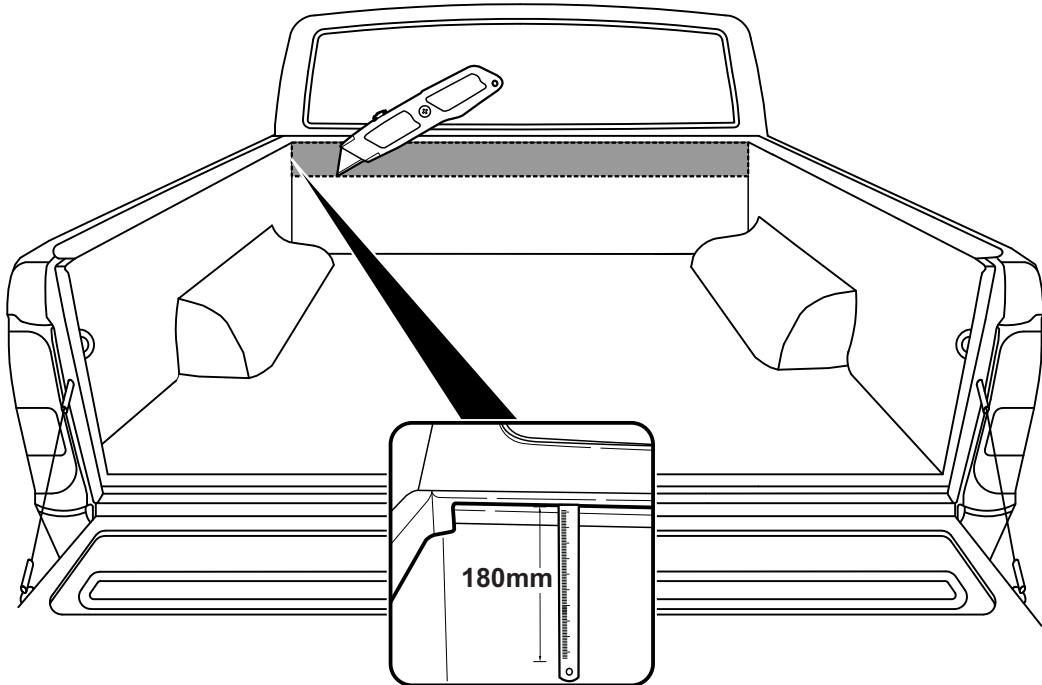
– Step 1



**The following steps are for vehicles with bed liners.
If there are no bed liners installed move to Step 5**

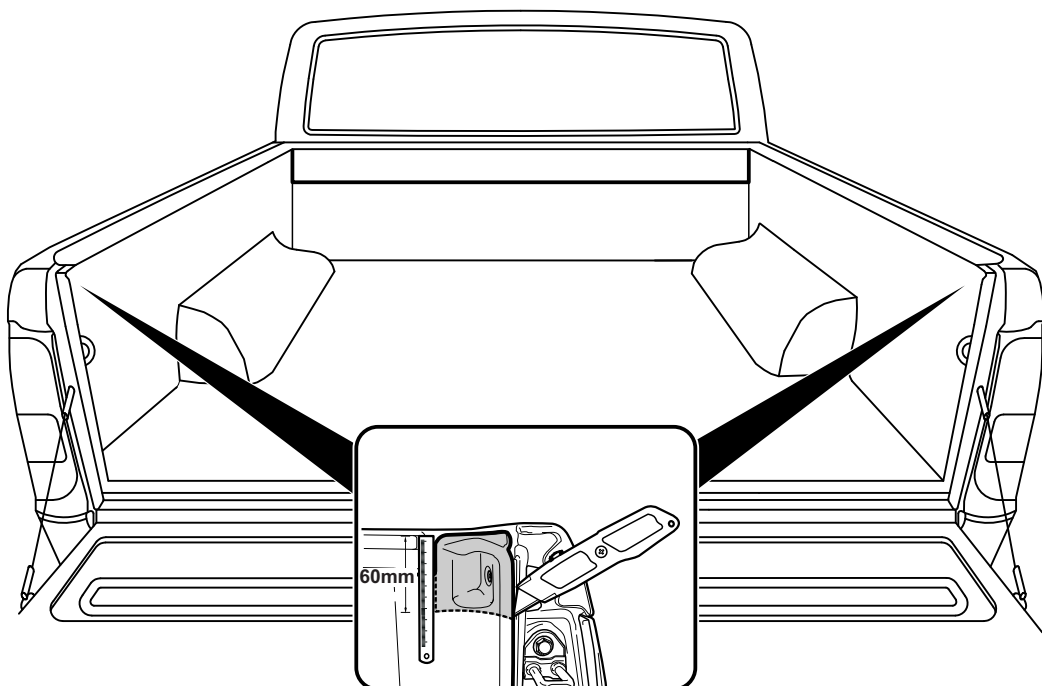
– Step 2

Trim front of bed liner by 180mm from the top of the ute bed as shown.



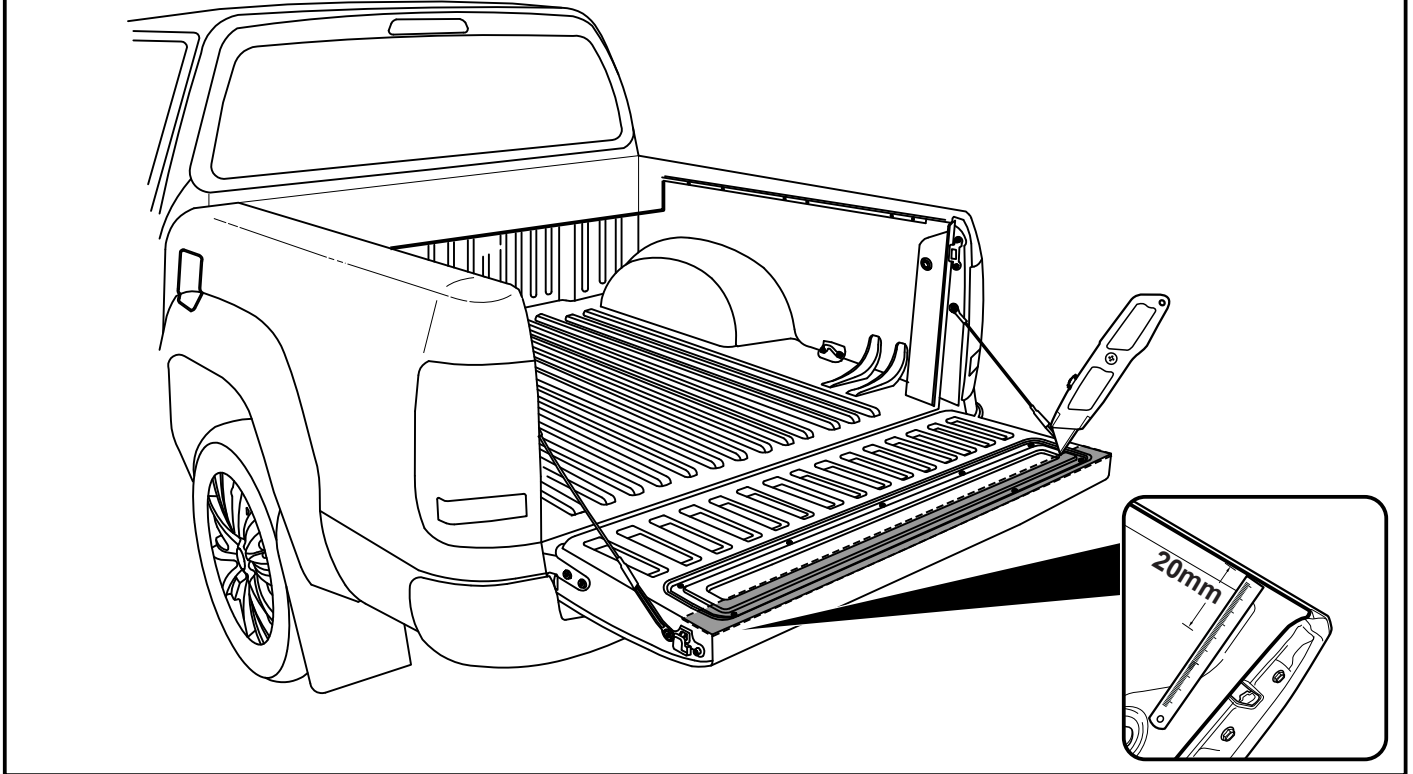
– Step 3

Measure 60mm from top of tub and trim liner.



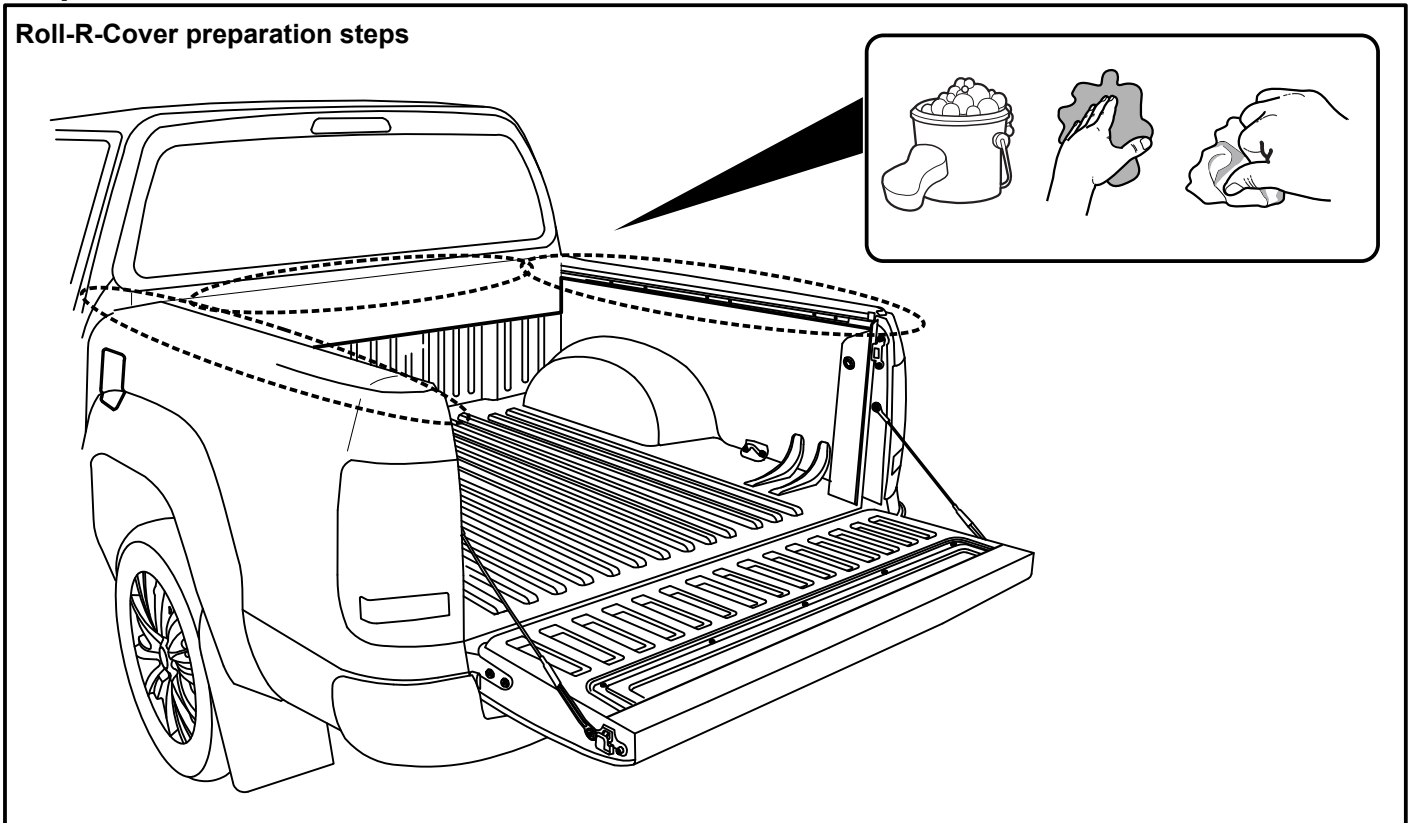
– Step 4

Measure 20mm down from top of tailgate and trim tailgate liner.



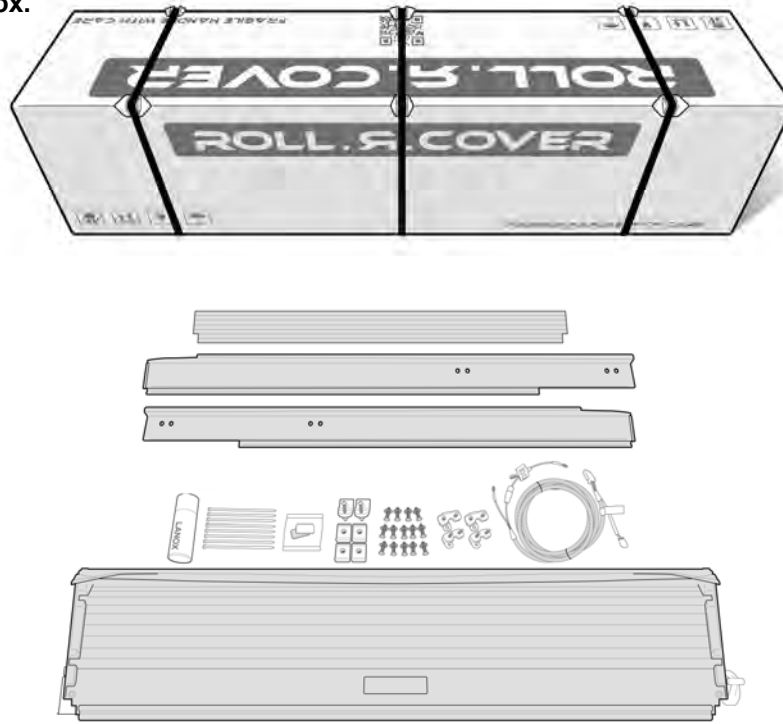
– Step 5

Roll-R-Cover preparation steps



– Step 6

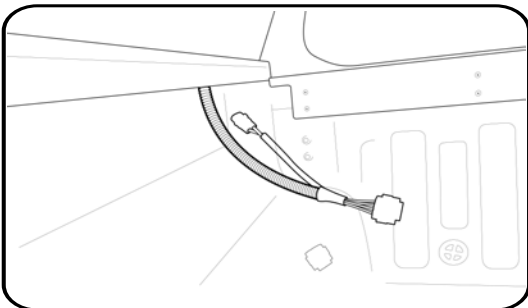
Carefully unpack the box.



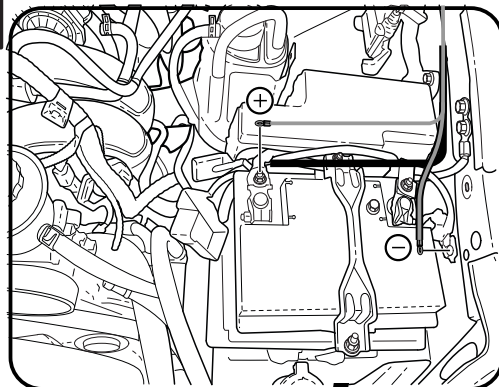
– Step 7

Wiring Harness steps

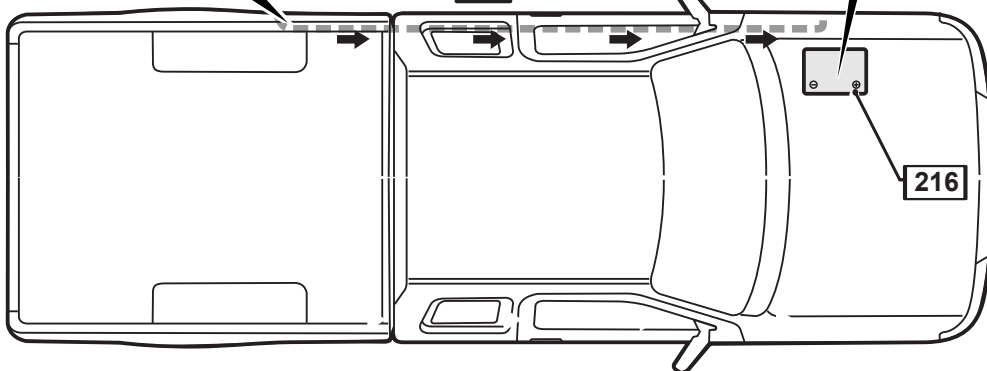
1 Feed through the cavity



3

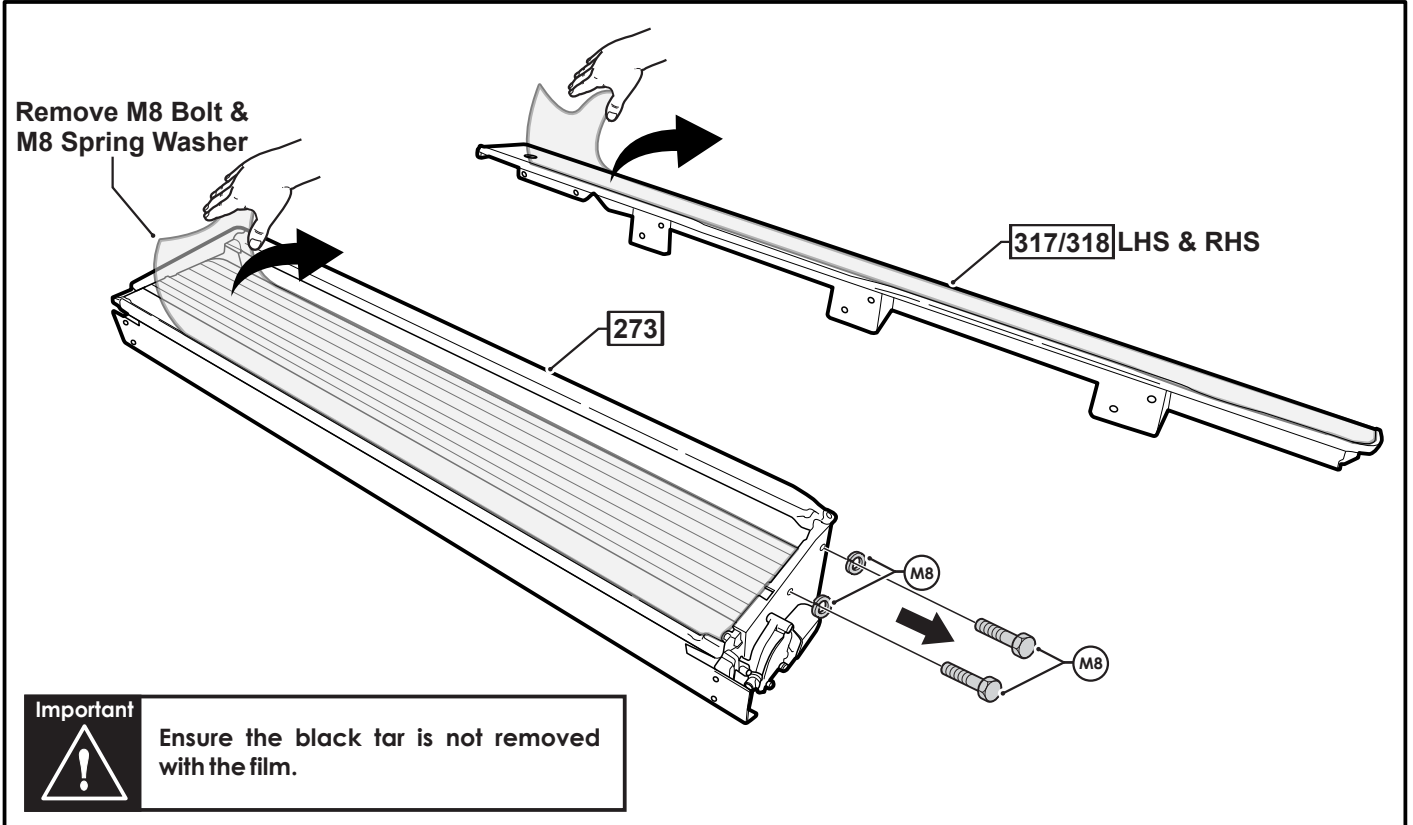


2

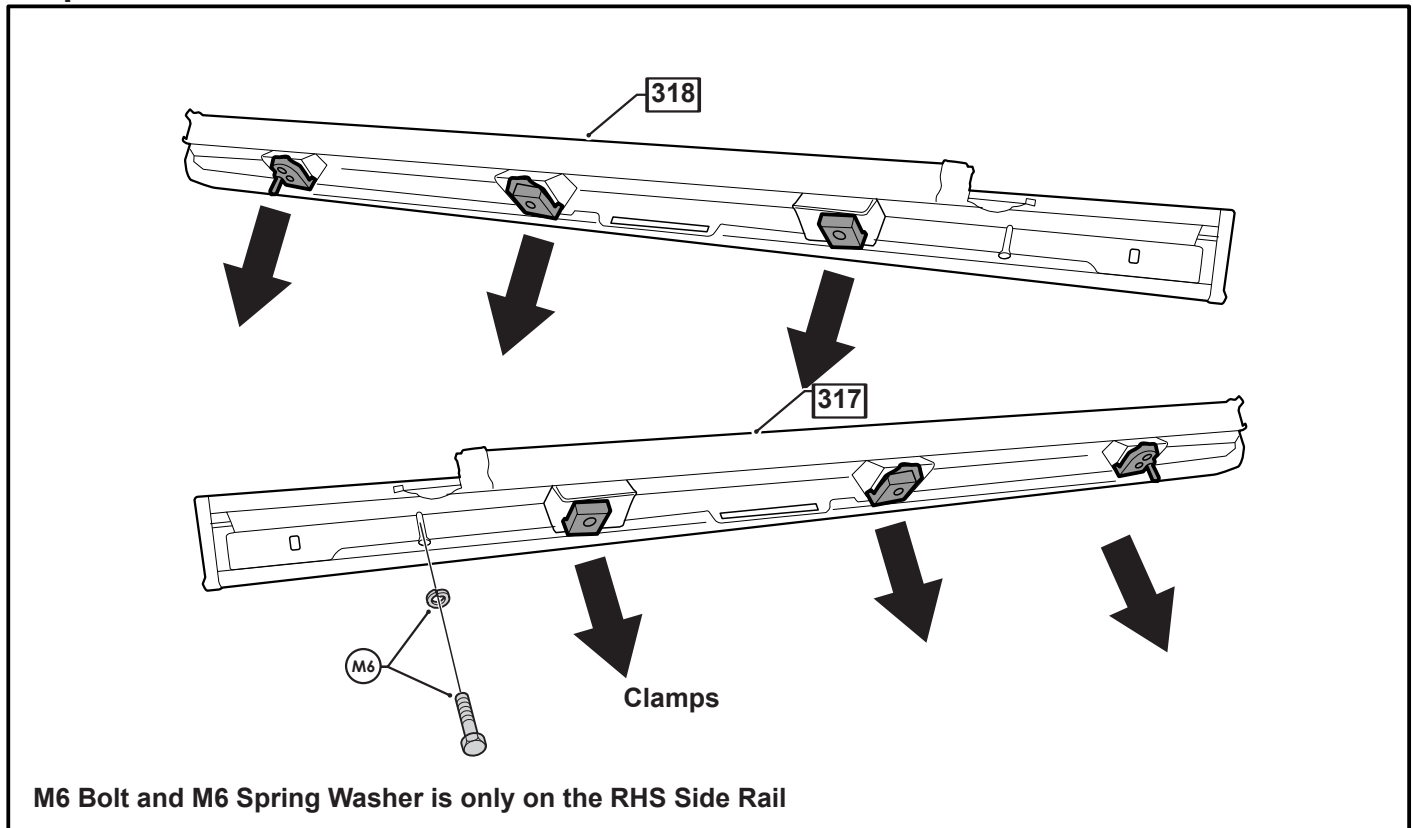


Run the wiring from the front corner cavity to the battery over the chassis rail. Making sure to keep away from hot obstructions and cable tie every 400mm.

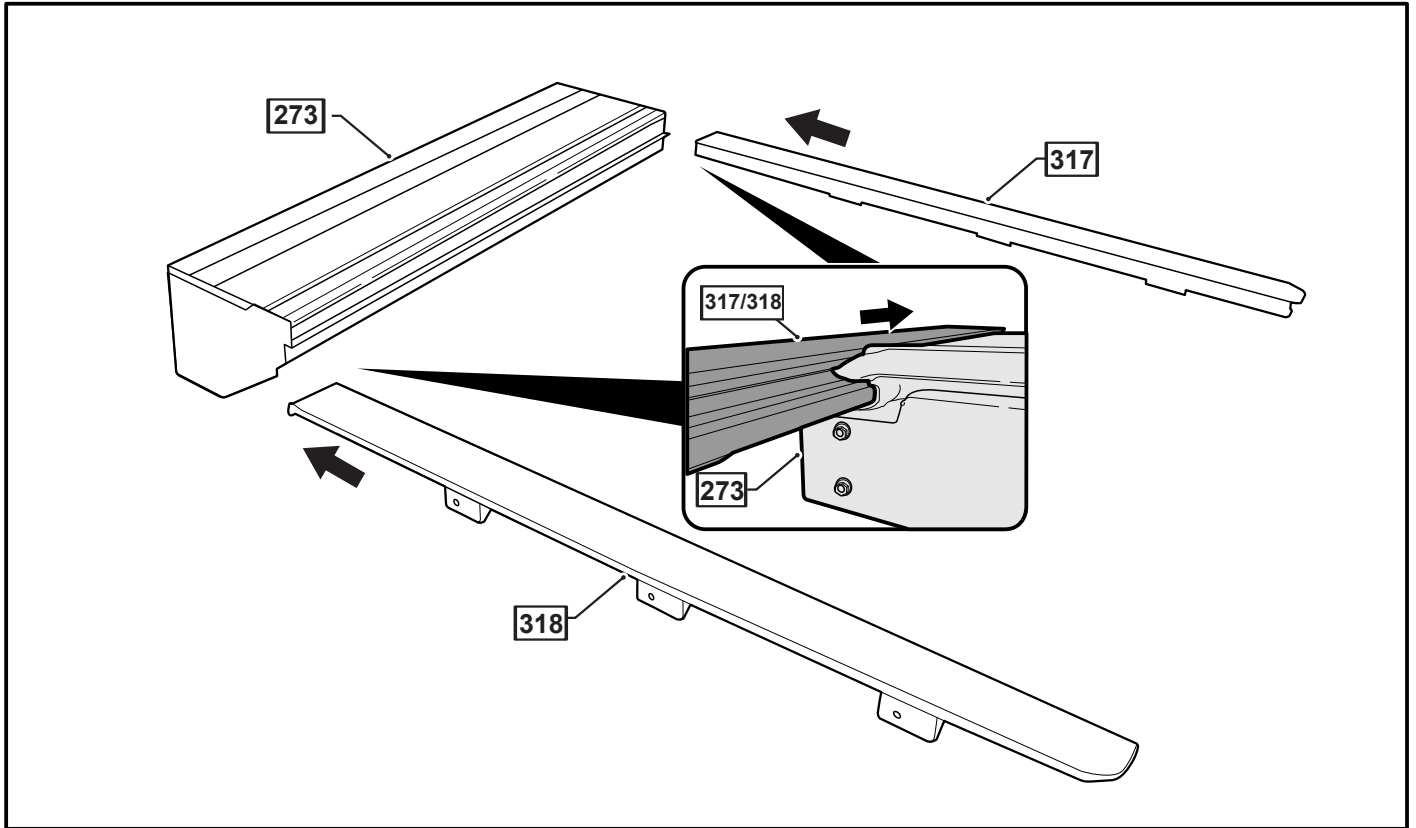
– Step 8



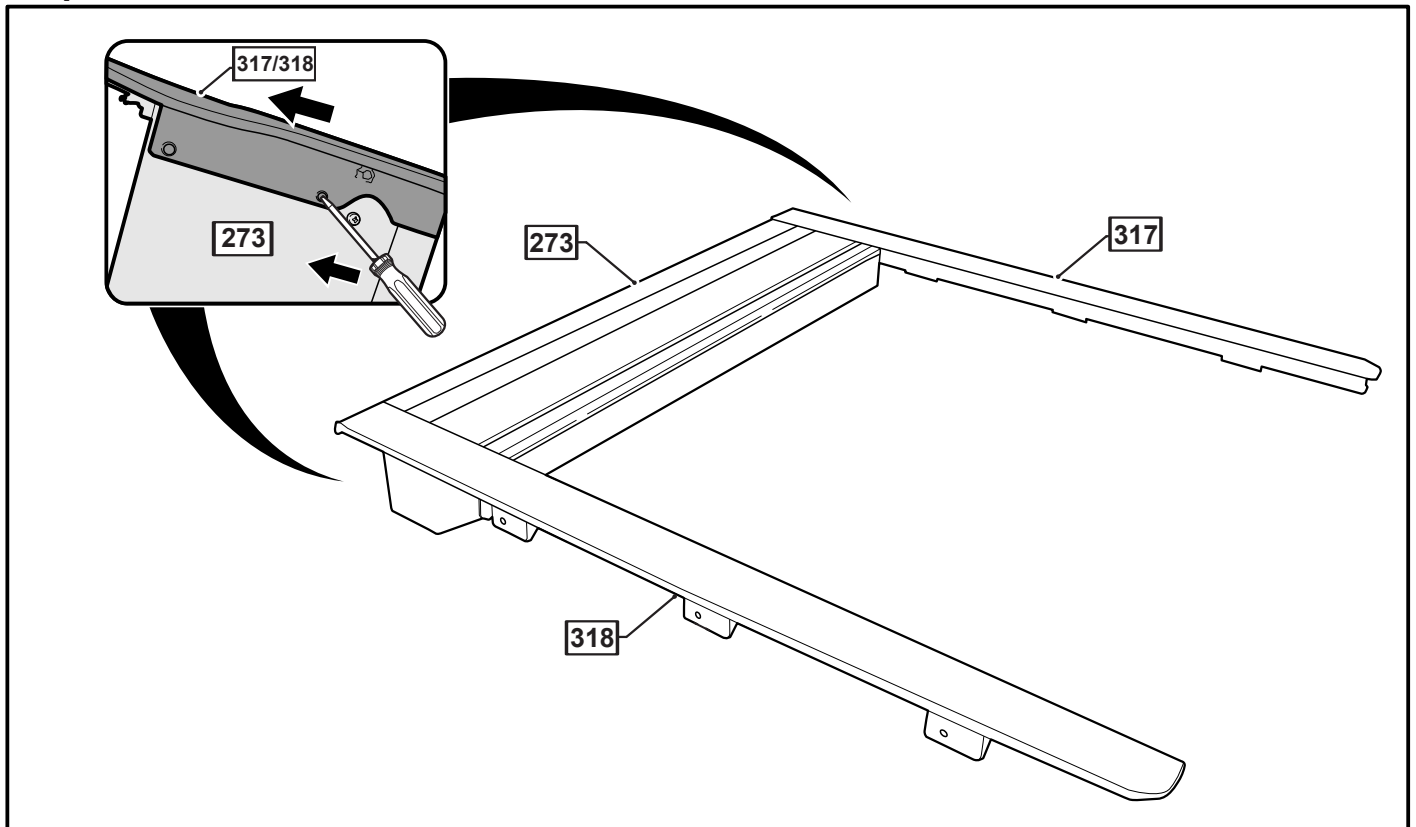
– Step 9



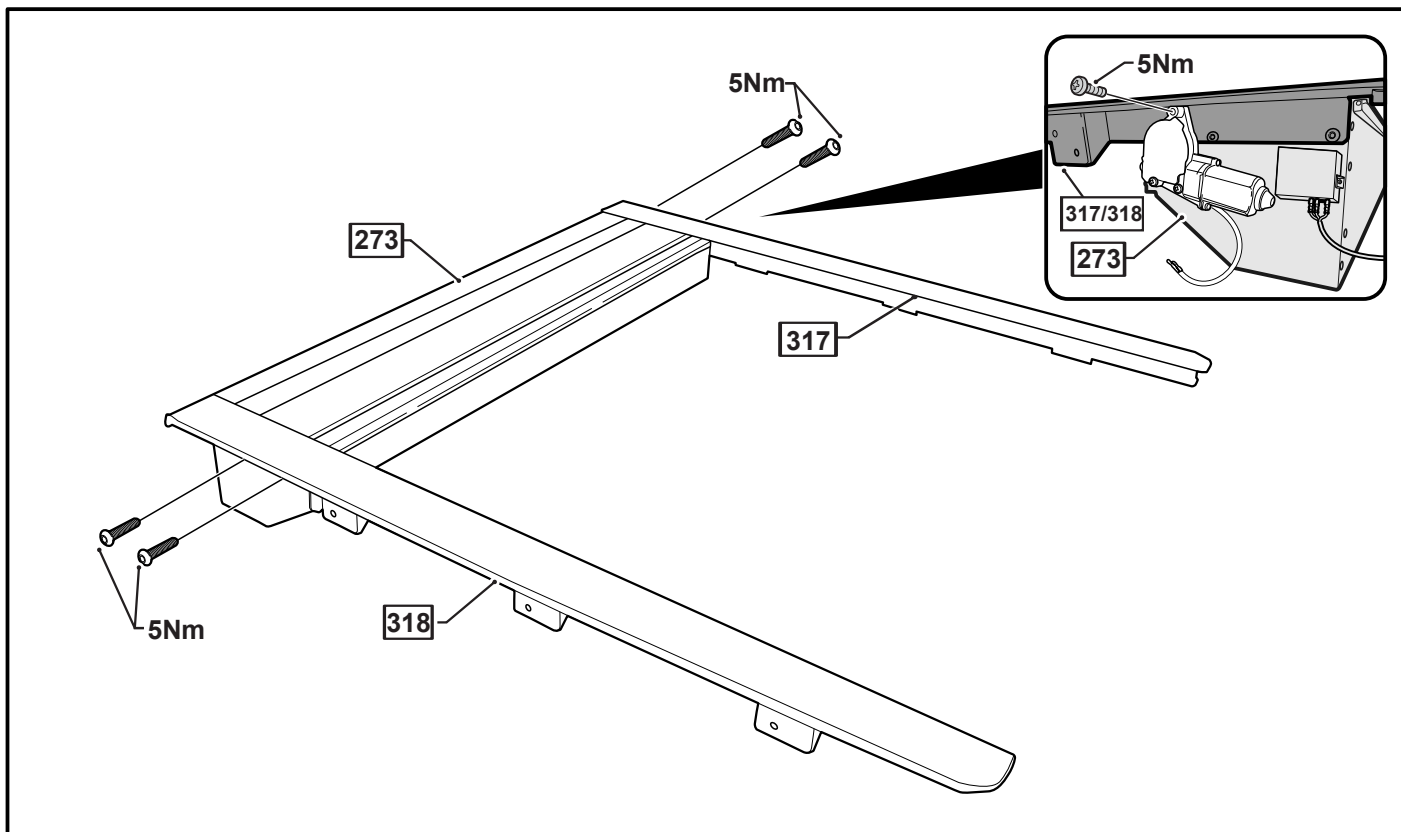
– Step 10



– Step 11

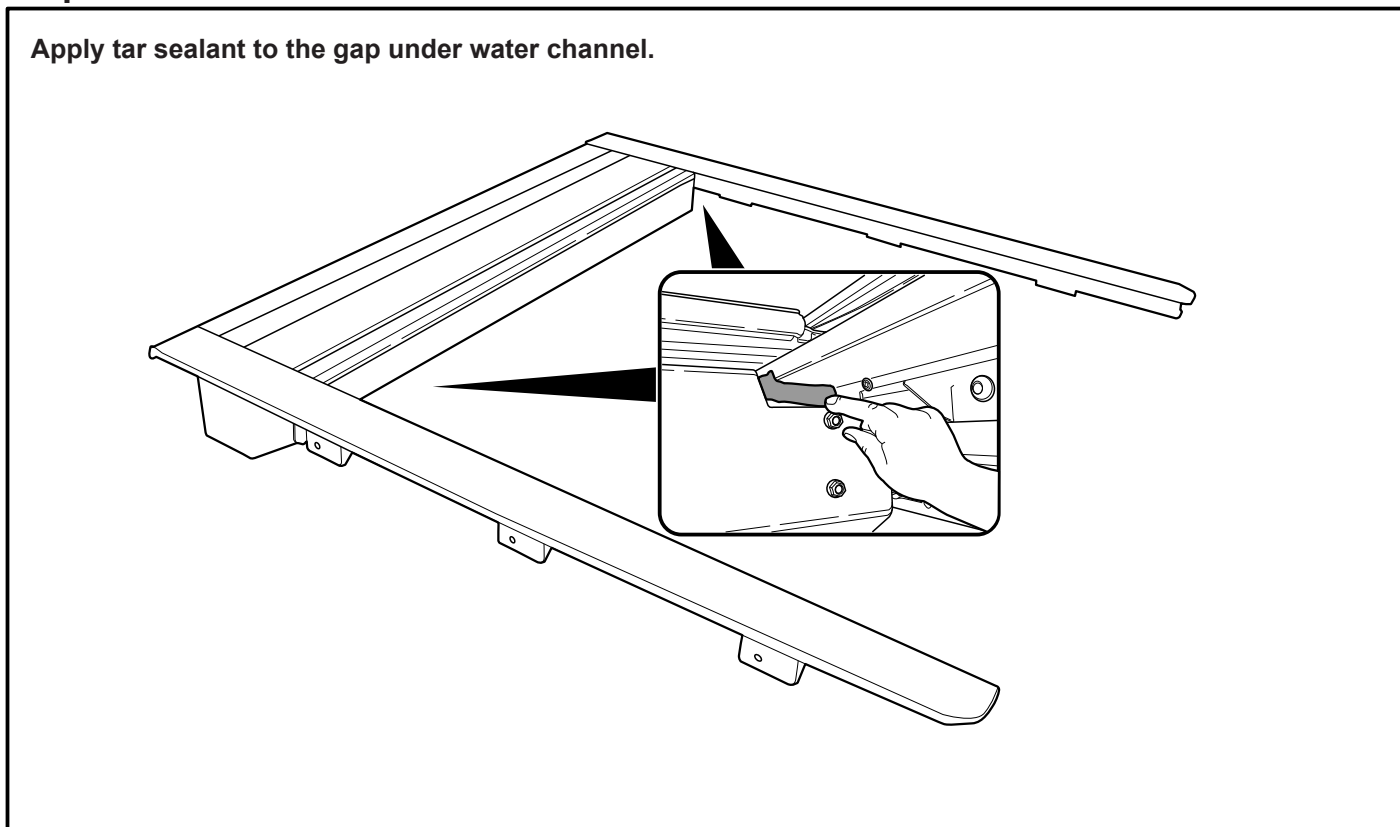


– Step 12



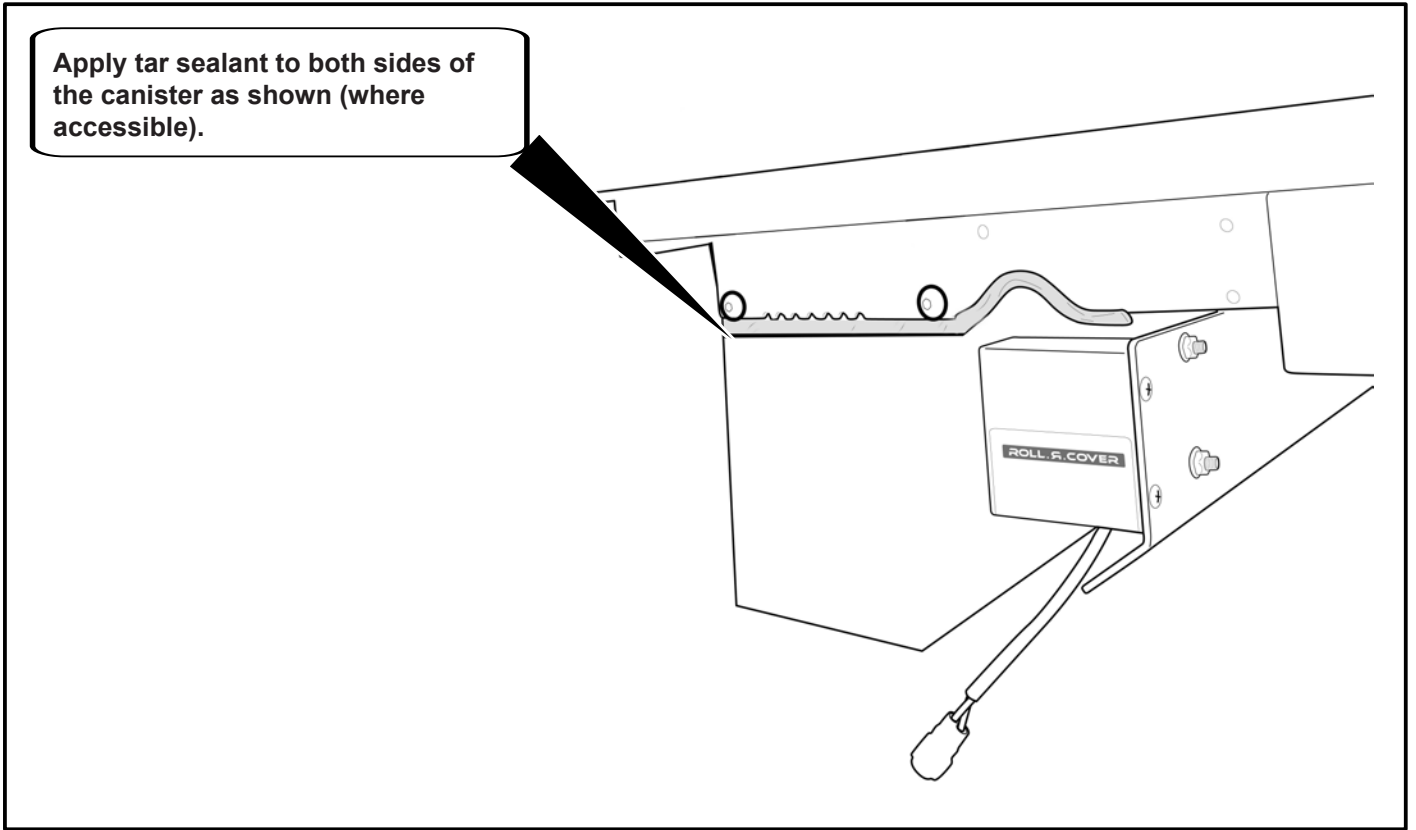
– Step 13

Apply tar sealant to the gap under water channel.

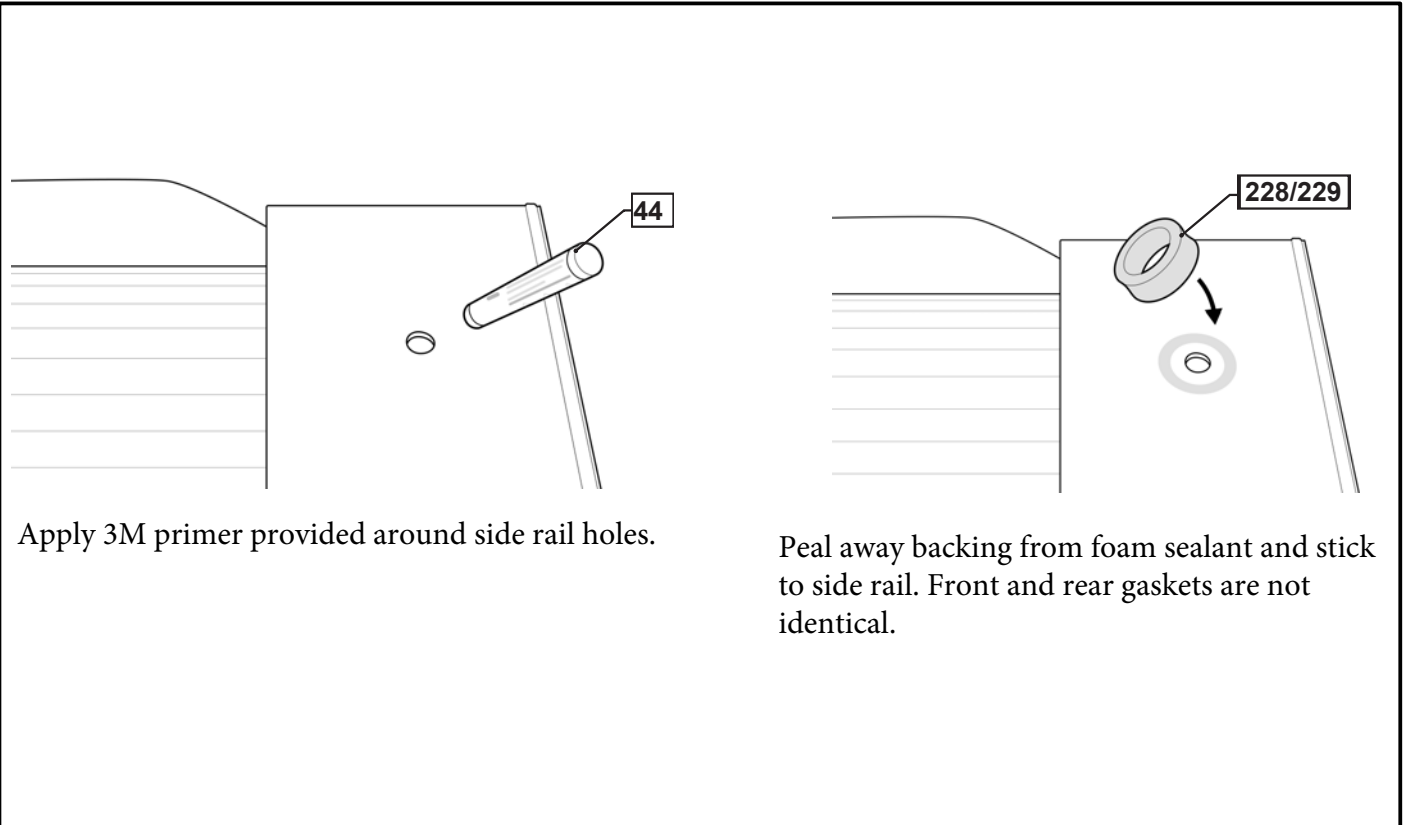


– Step 14

Apply tar sealant to both sides of the canister as shown (where accessible).



– Step 15

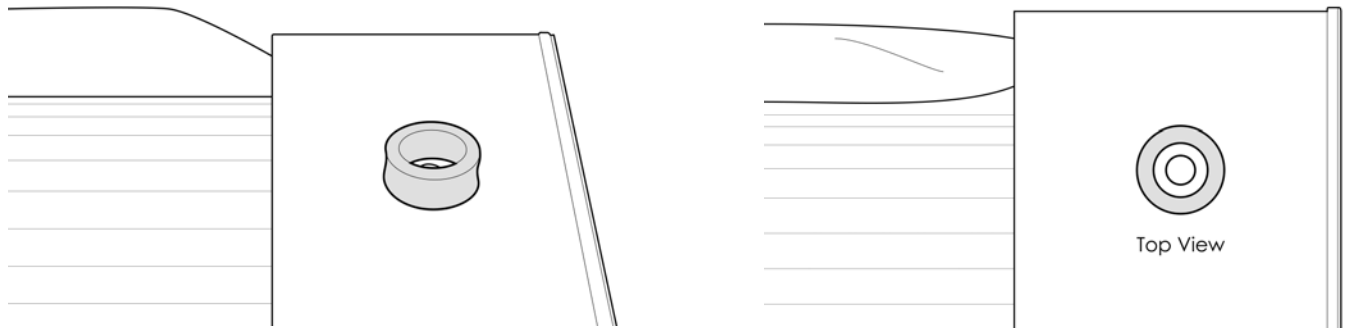


Apply 3M primer provided around side rail holes.

Peel away backing from foam sealant and stick to side rail. Front and rear gaskets are not identical.

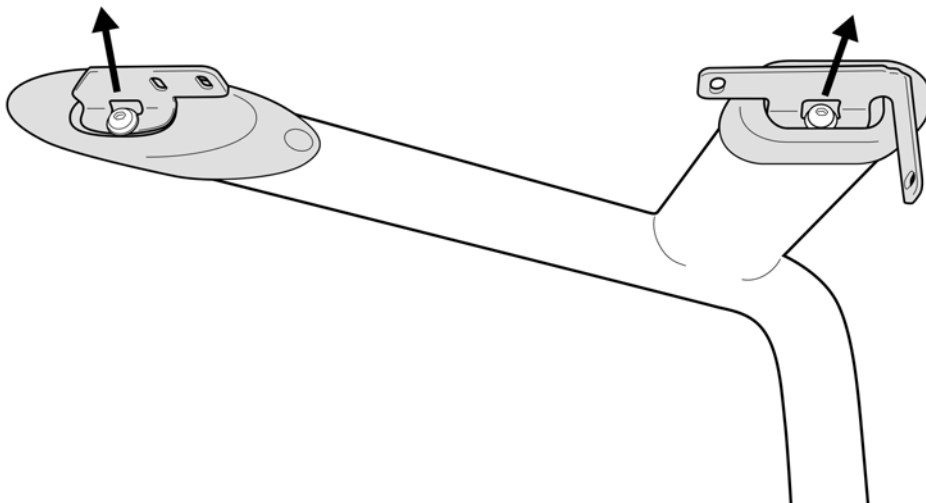
– Step 16

Repeat on all holes.



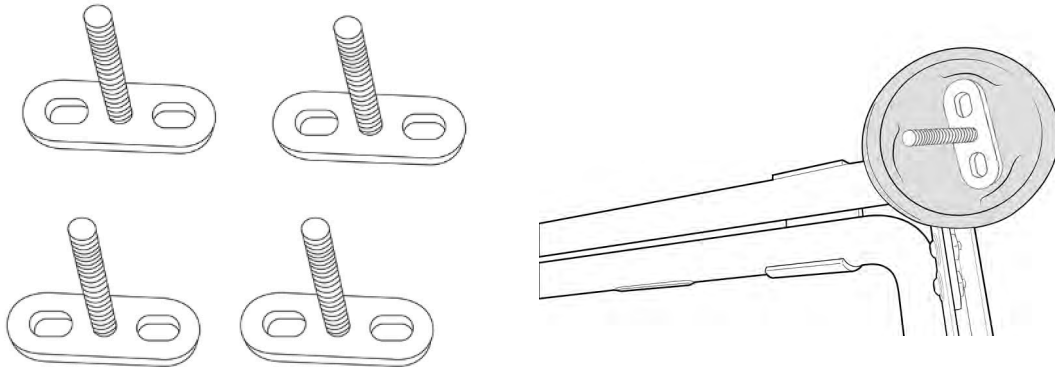
– Step 17

Remove all factory brackets from sports bars. Repeat on all four legs.



– Step 18

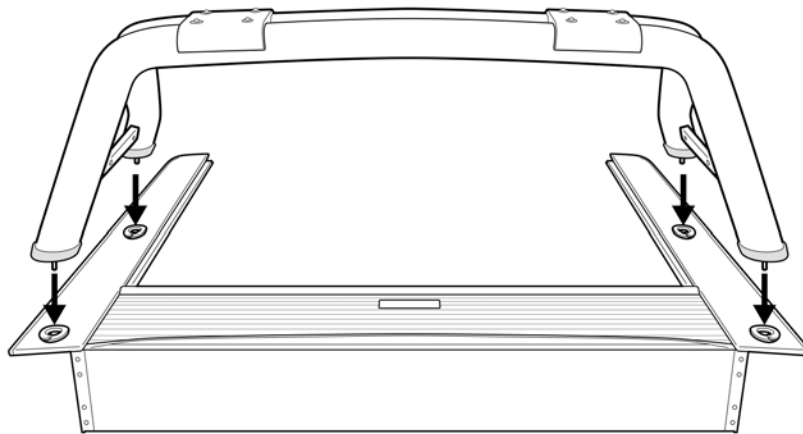
Fit Sports bar brackets using factory bolts



Note - Left hand rear bracket has provision for brake light wire.

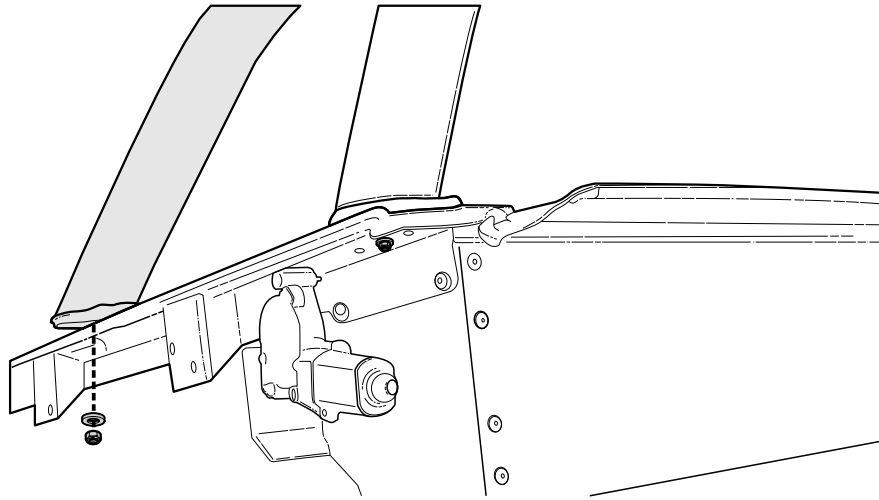
– Step 19

Place Sportsbar on Roll R cover



– Step 20

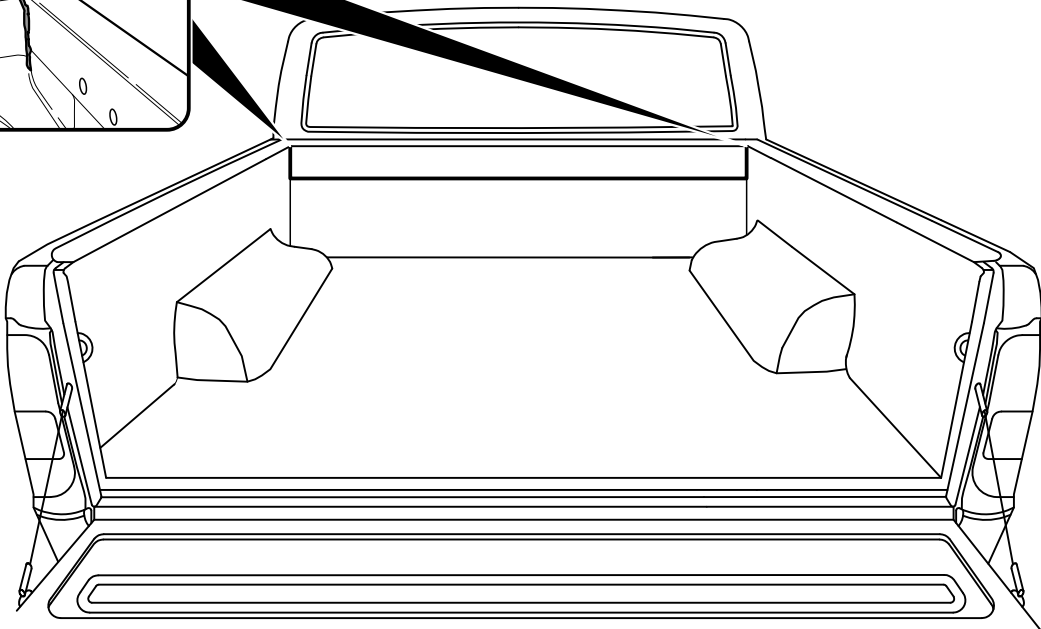
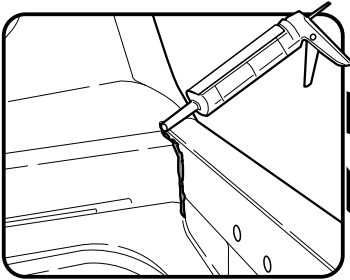
Place flat washer and tighten with the nylock nut provided. Repeat on all four legs.



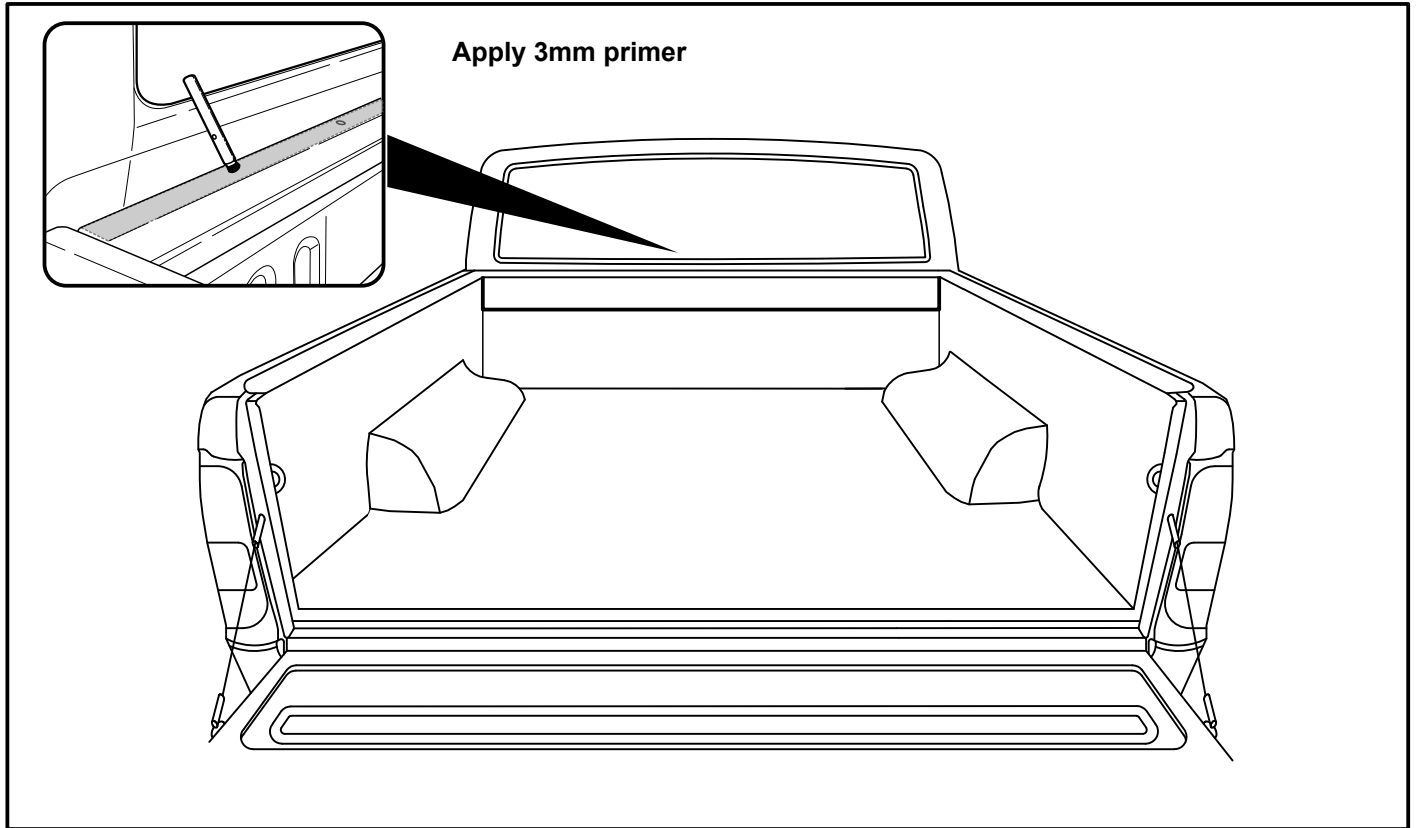
Note - Do not overtighten

– Step 21

Seal any exposed gaps.

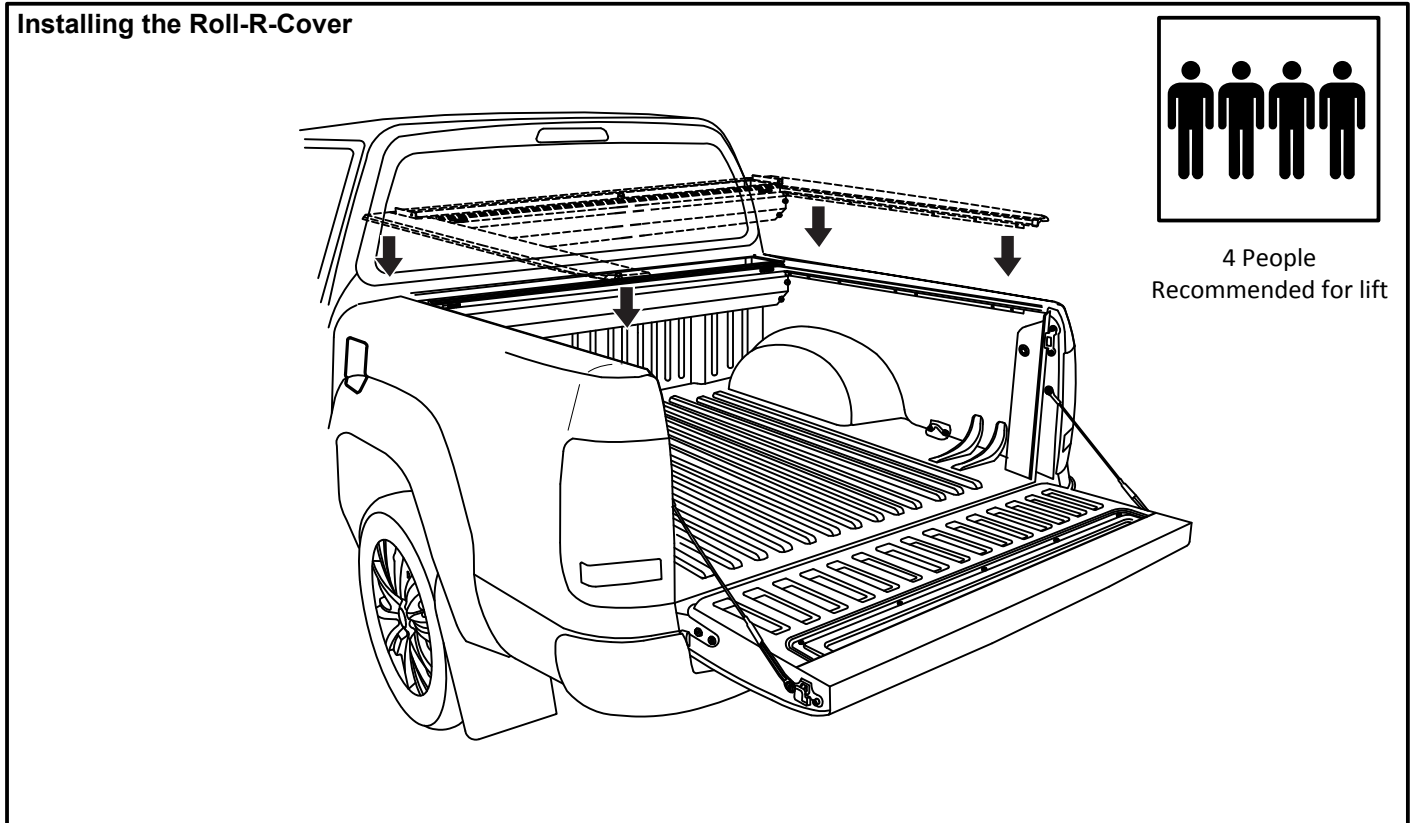


– Step 22



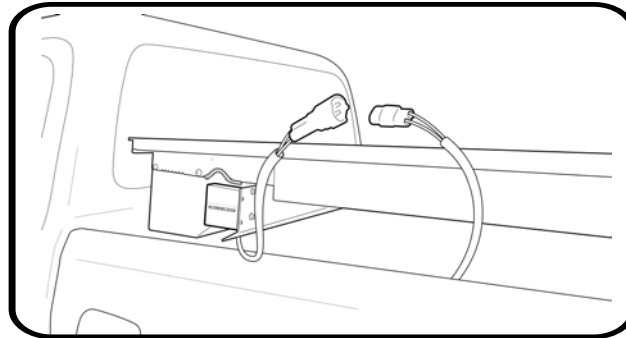
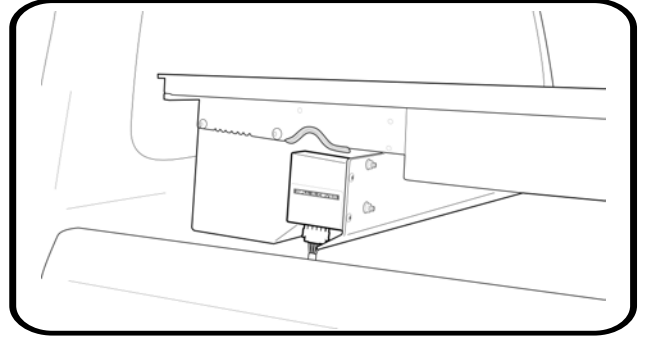
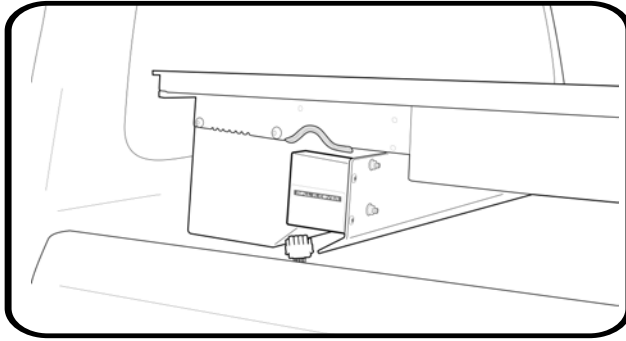
– Step 23

Installing the Roll-R-Cover

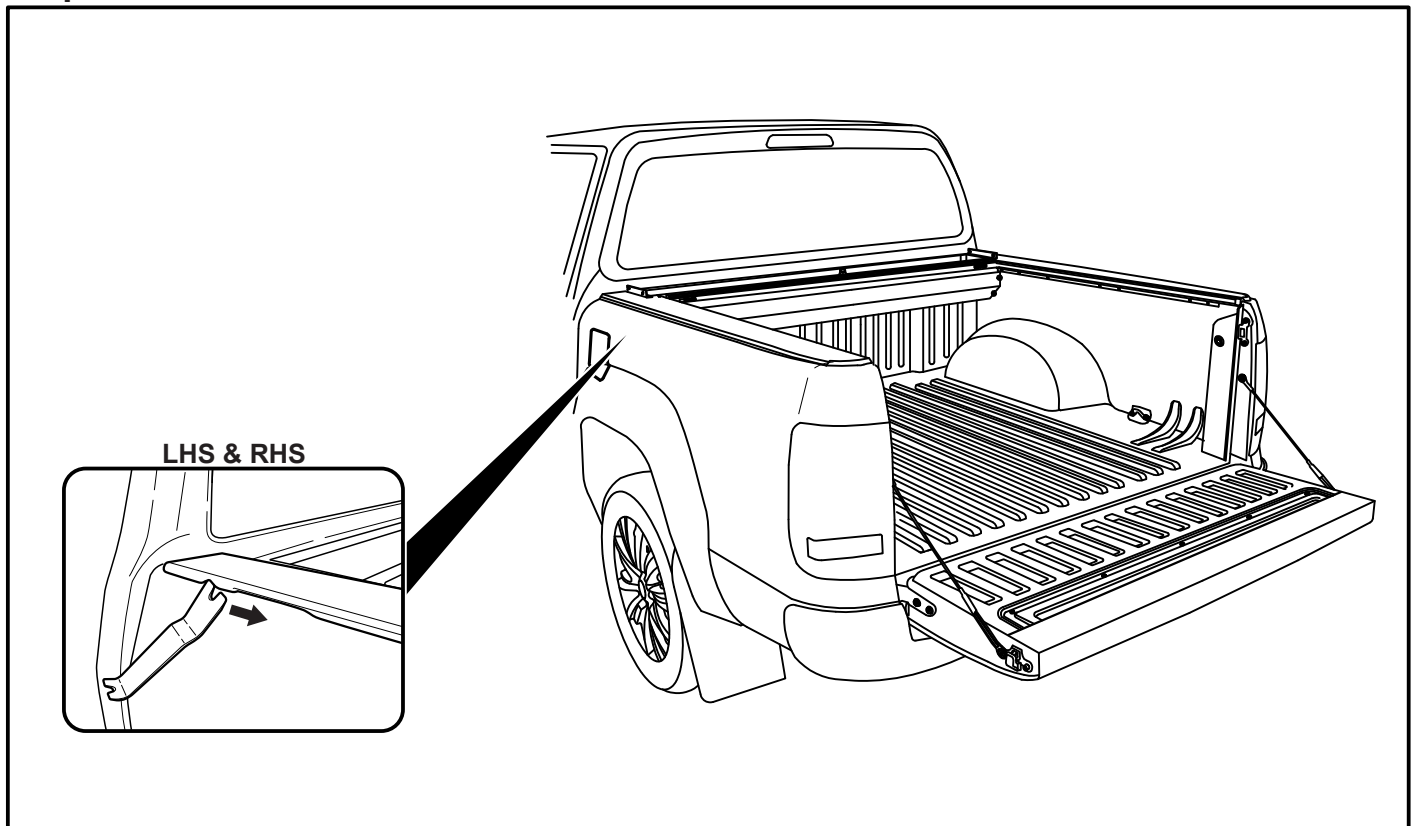


— Step 24 —

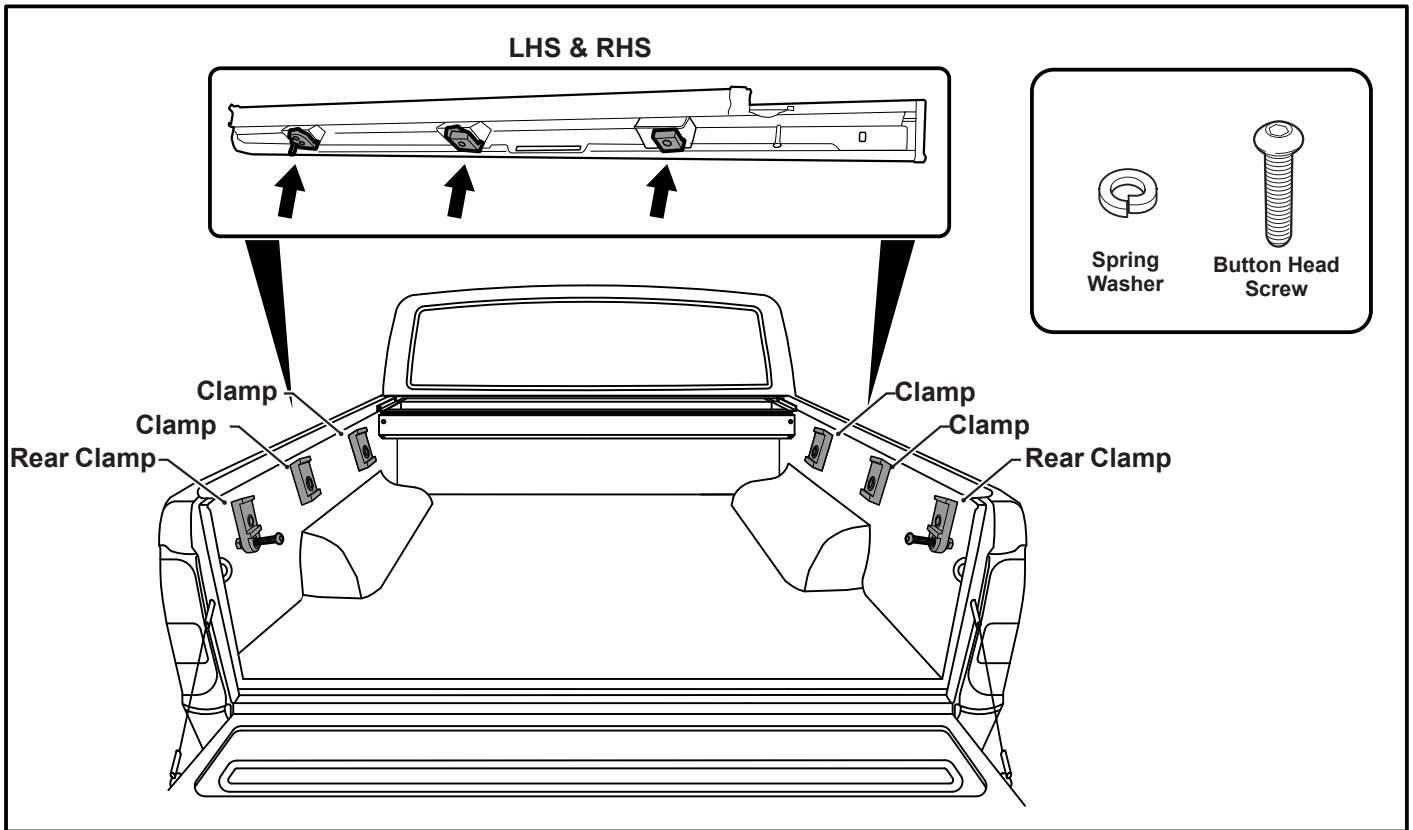
Before dropping the Roll R cover into place on the tub, connect all relevant connections or plugs to the receiver and motor plug connection.



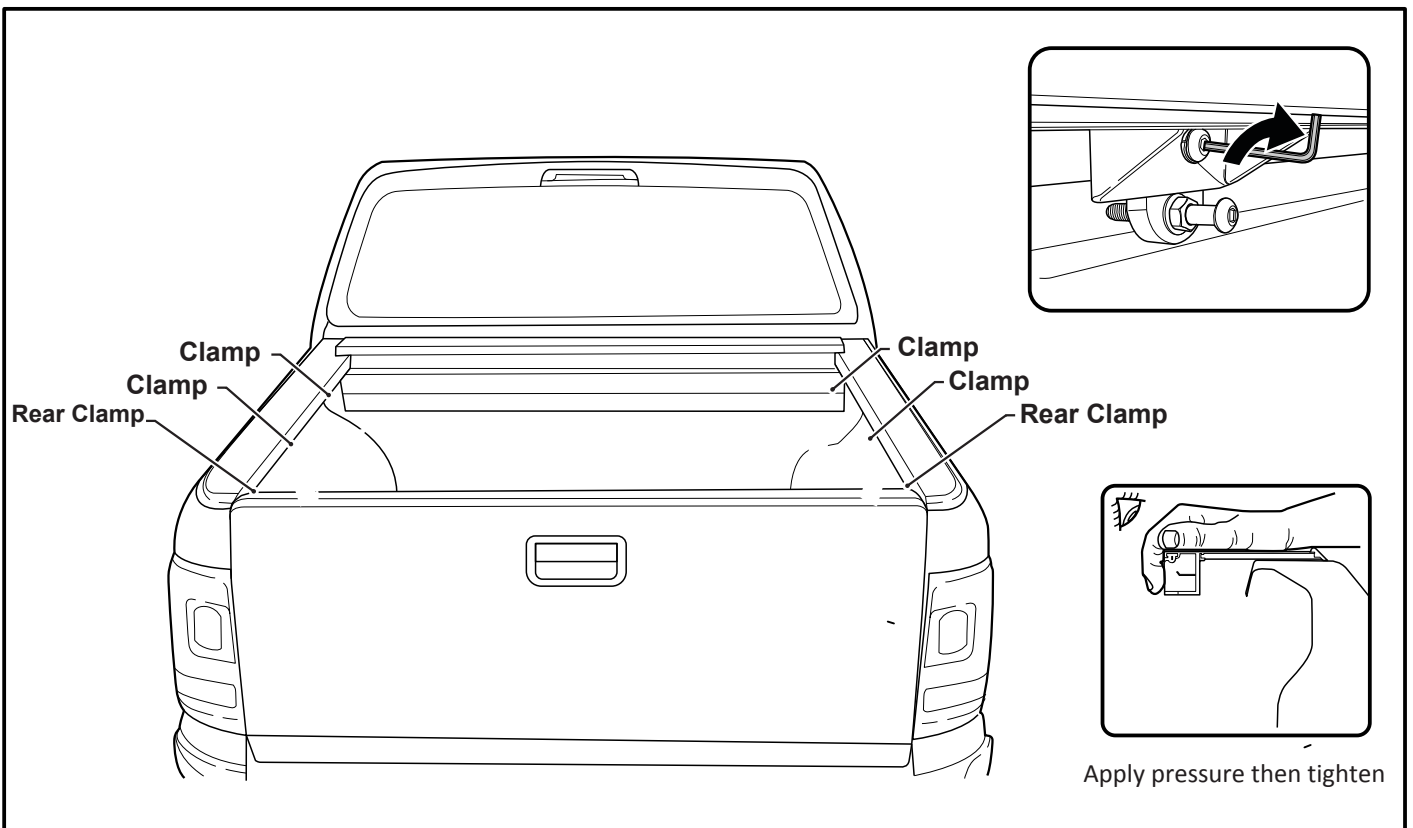
— Step 25 —



– Step 26

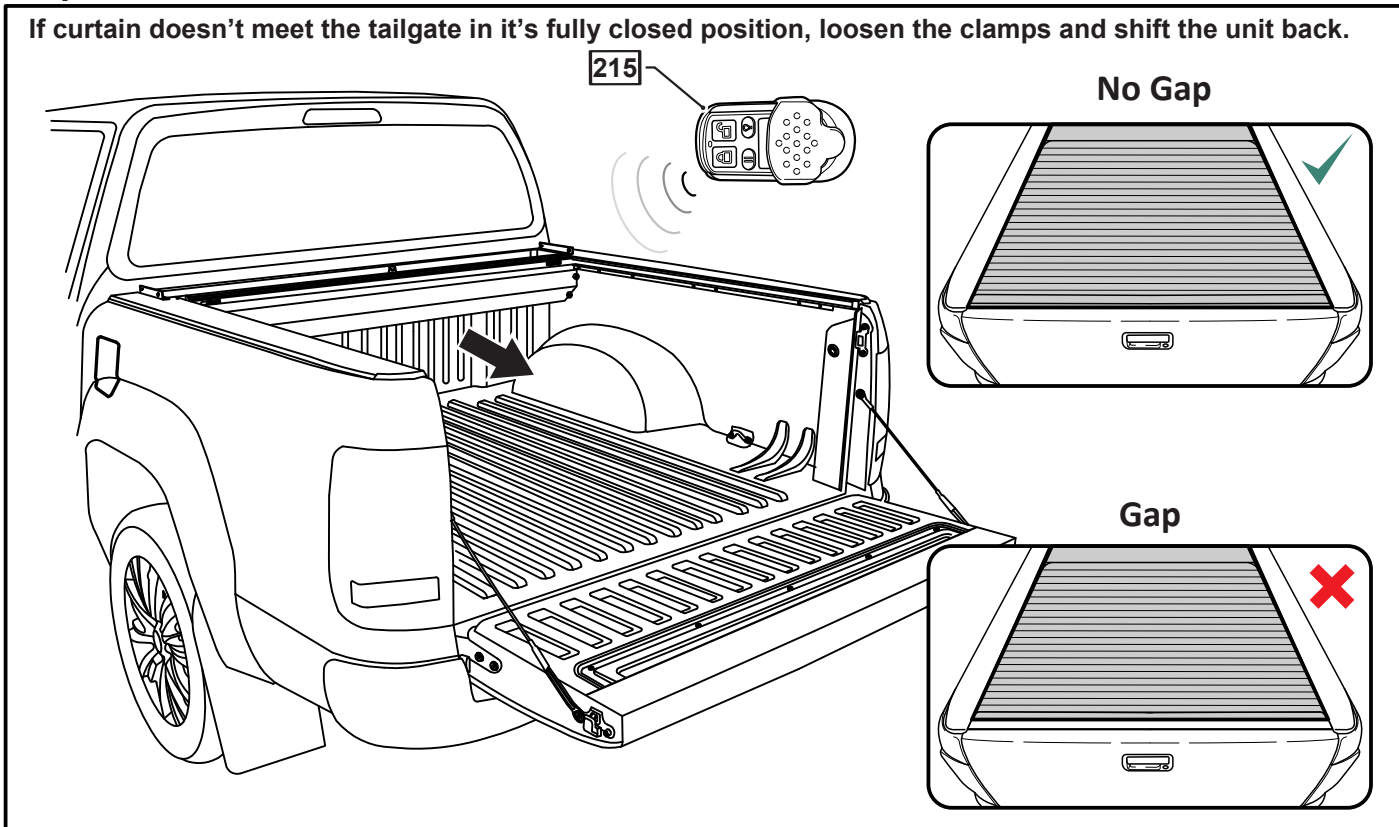


– Step 27

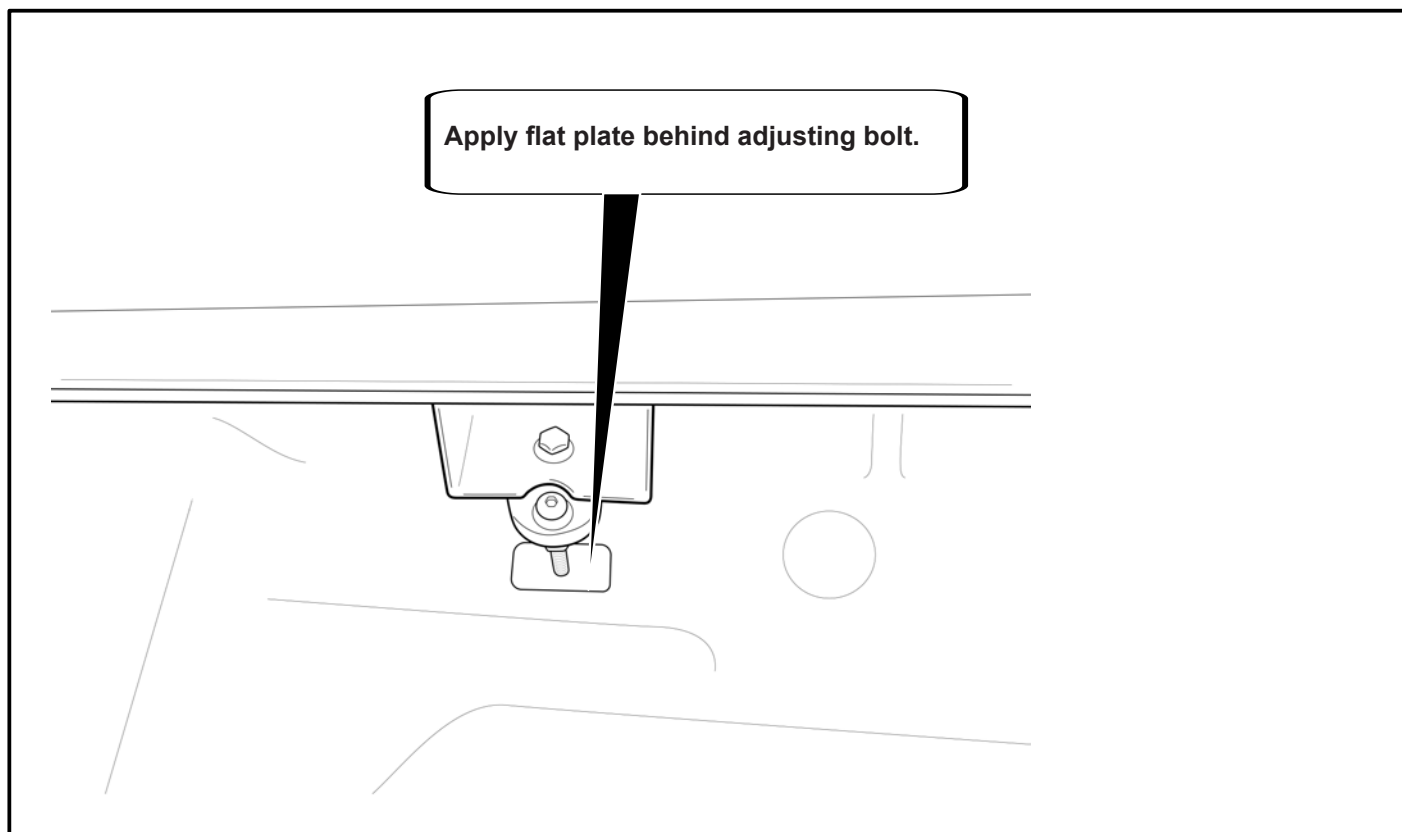


– Step 28

If curtain doesn't meet the tailgate in it's fully closed position, loosen the clamps and shift the unit back.

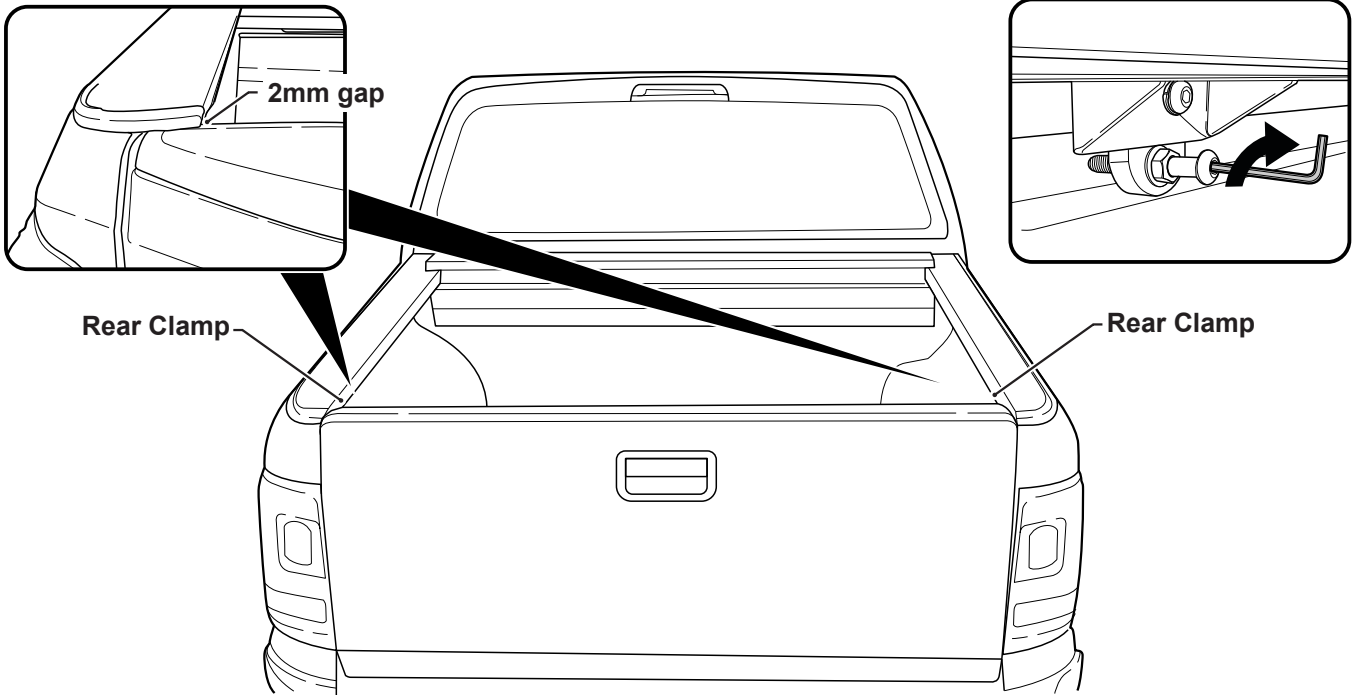


– Step 29



— Step 30 —

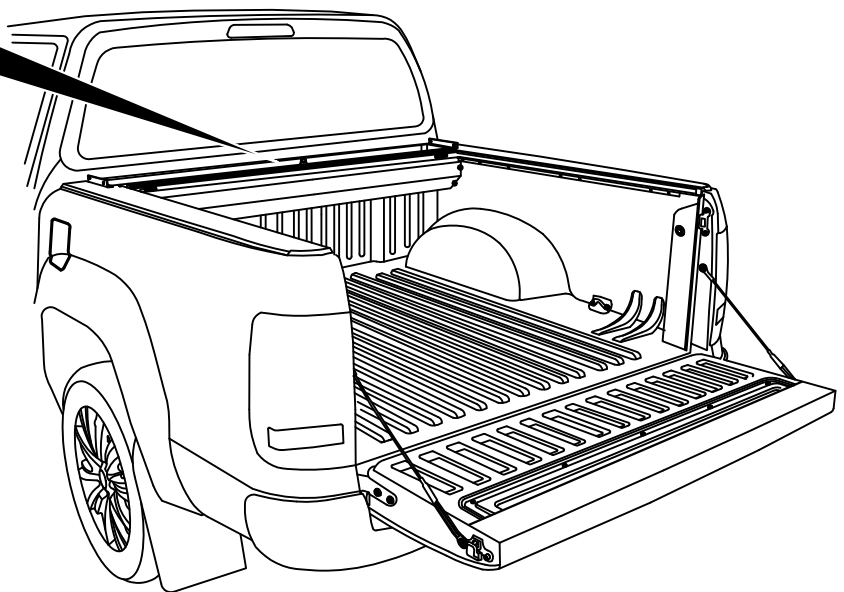
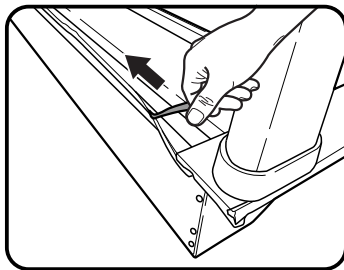
Side rail rubber must have a 2mm gap from the top of the tailgate in the closed position.



Rear clamp has an adjustment bolt. Drive the bolt in to lift the rear of the side rail till it clears the tailgate.

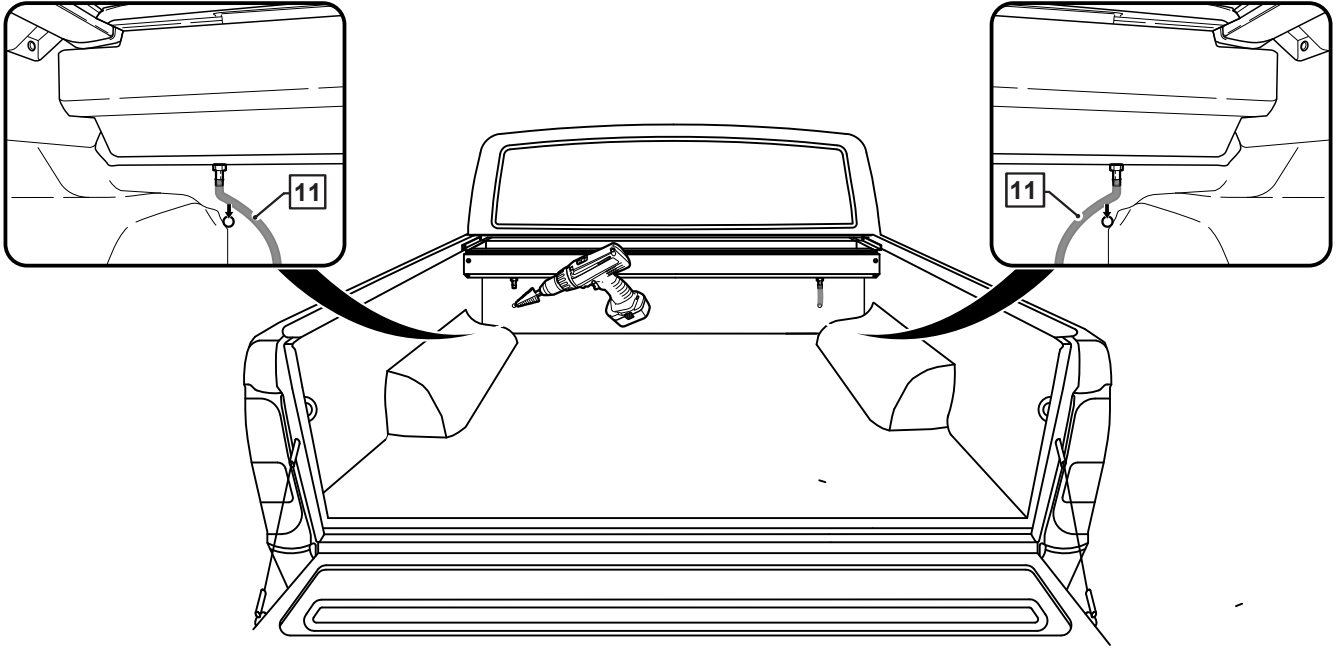
— Step 31 —

Peel double sided tape backing off and stick to vehicle.



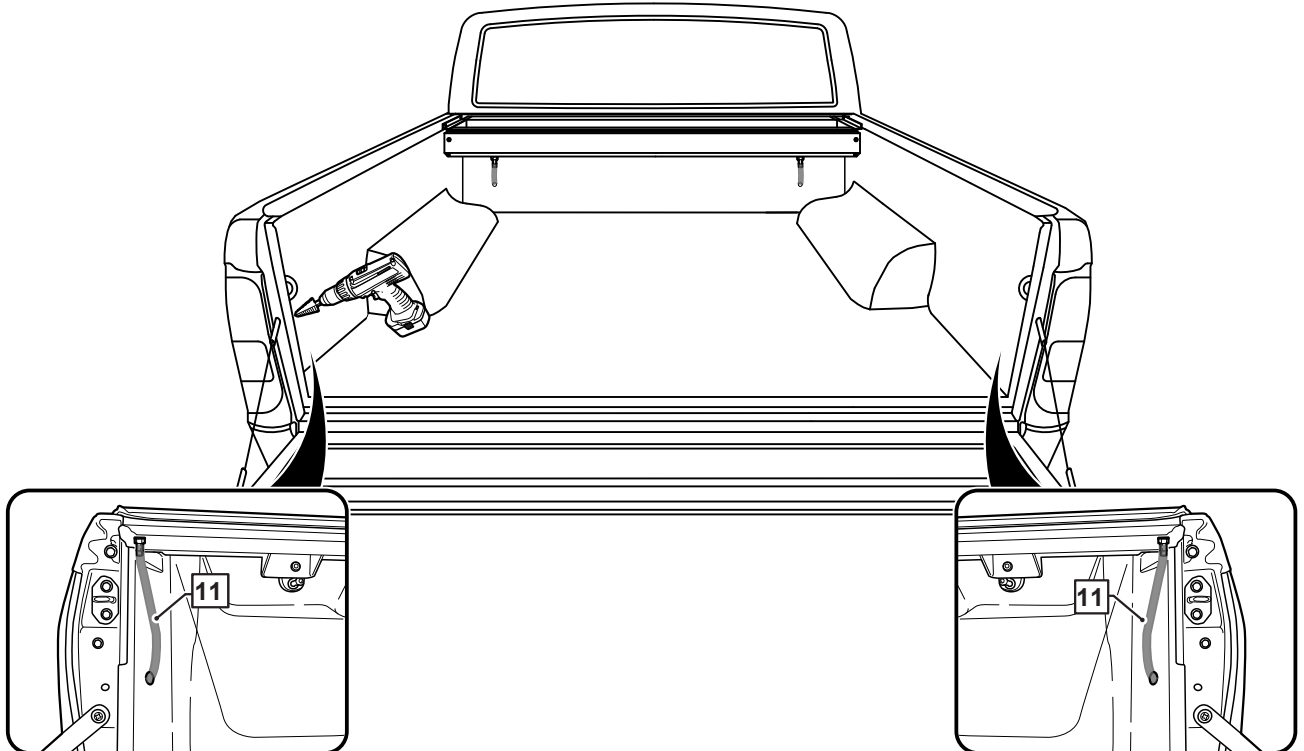
– Step 32

Drill through bed and liner (check for obstructions).



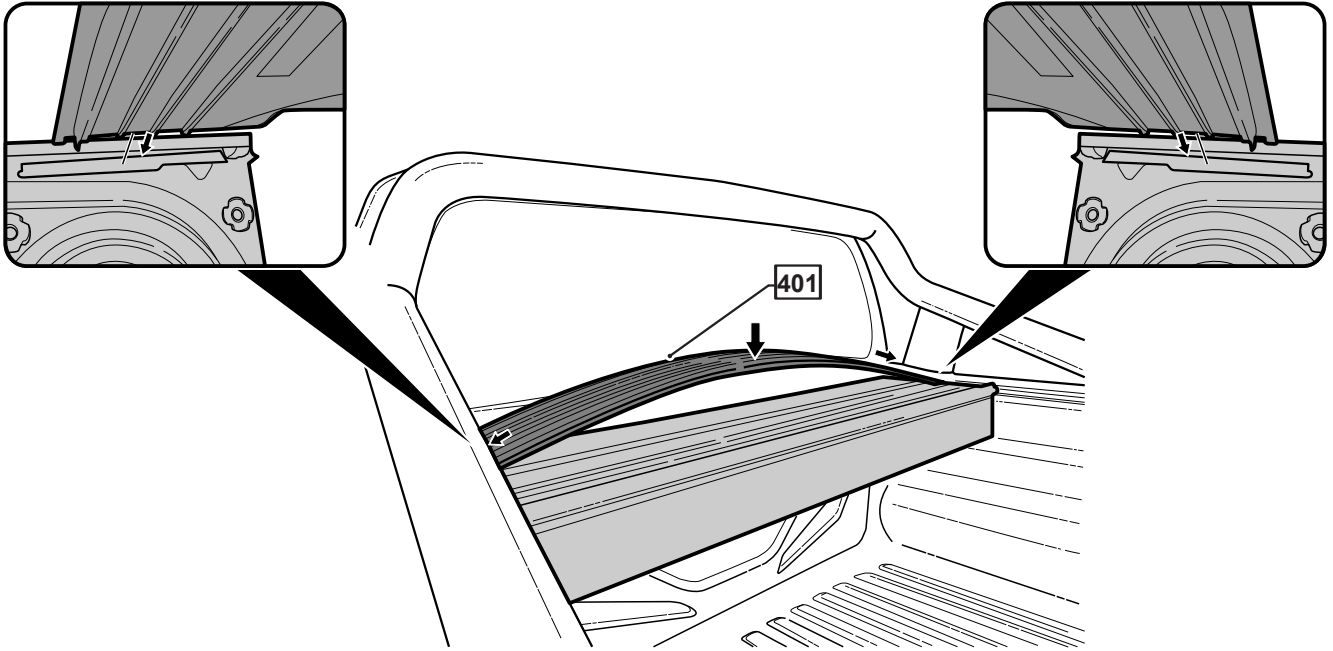
– Step 33

Remove the tail light to check for obstructions before drilling



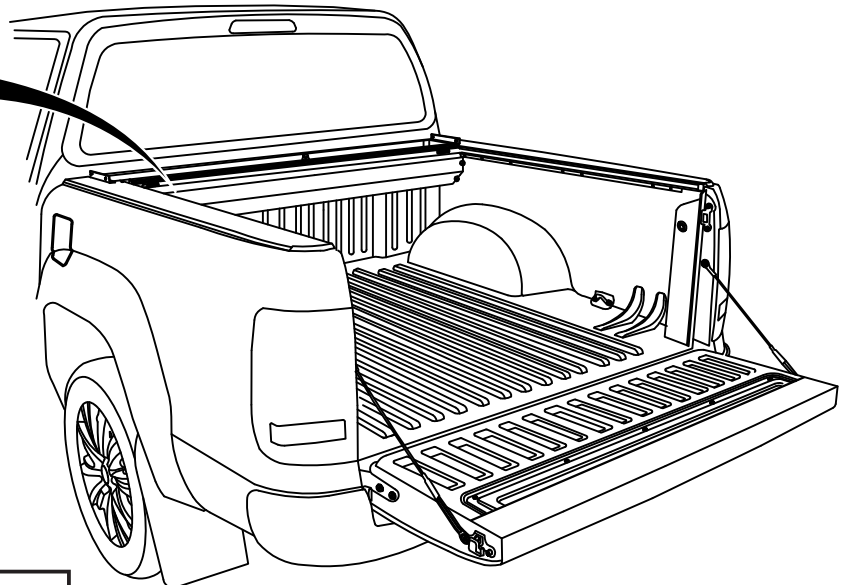
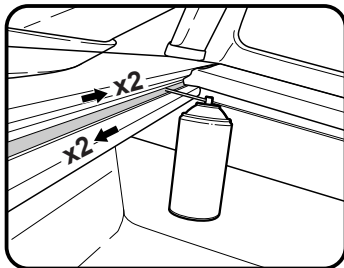
— Step 34 —

Snap fit the top cover.



— Step 35 —

LHS & RHS

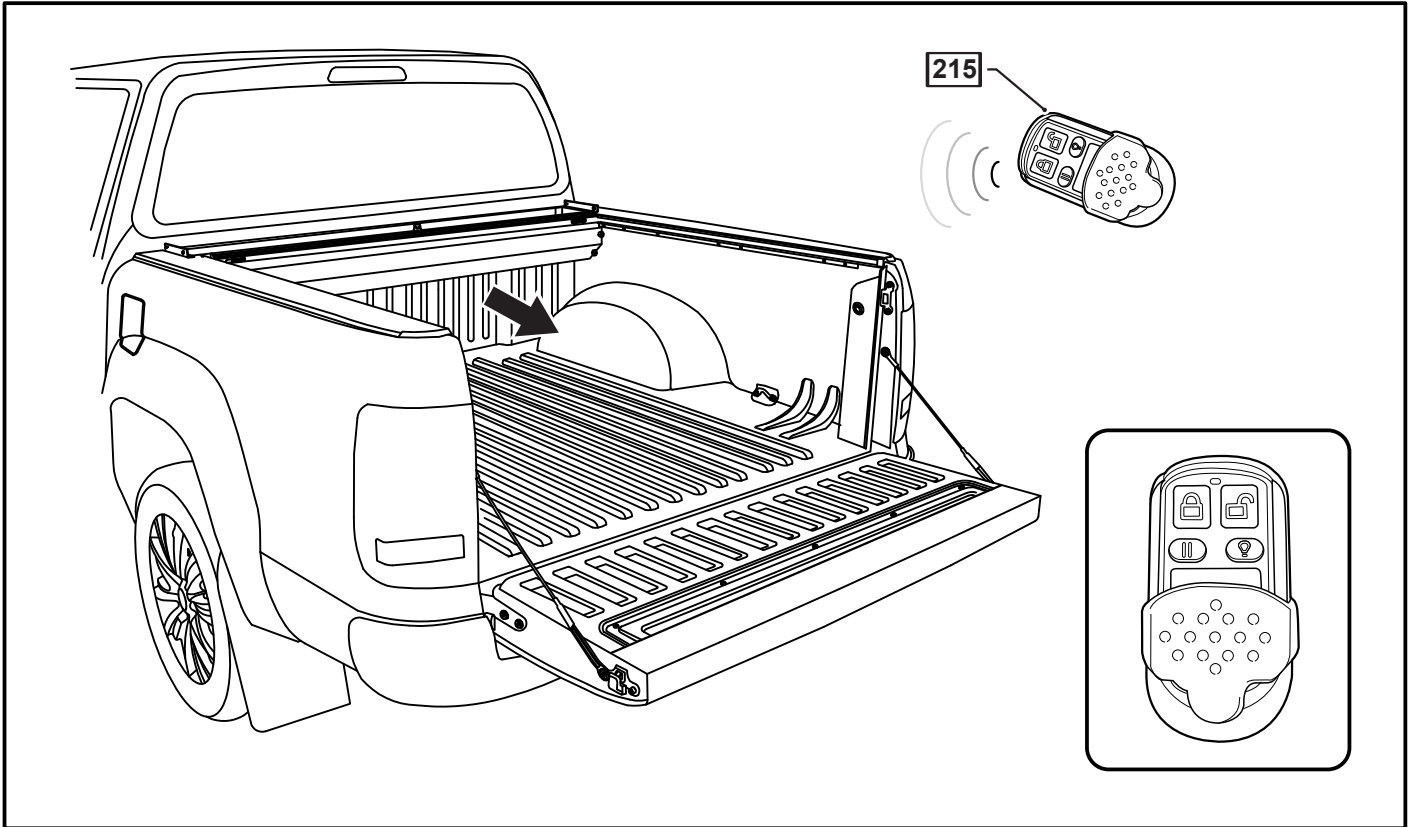


Important



Tracks need to be lubricated regularly

– Step 36



– Step 37

Important



You may open tailgate when Roll R Cover is in closed position, however you **MUST NOT** close the tailgate when Roll R Cover curtain is in the fully closed position.

WARNINGS!

www.hsputelids.com

 NO STANDING	 ENSURE LOAD IS SECURE	 CHECK GLIDES OIL REGULARLY	 6Nm CHECK CLAMPS AND TIGHTEN	 DO NOT PLACE LOAD ON COVER	 CHECK DRAIN CLEAN CANISTER	 MECHANICAL HAZARD	 NO PEOPLE OR ANIMALS UNDER ROLL TOP
------------------------	--	---	---	---	---	----------------------------------	--

E. & O.E. This document is copyright and must not be used except as permitted below or under the Copyright Act 1968. You may reproduce and publish this document in whole or in part for your or your organisation's own personal or internal compliance, educational or non-commercial purposes. You must not alter or amend this document in any way. You must not reproduce or publish this document for commercial gain without the prior written consent of the copyright owner.