



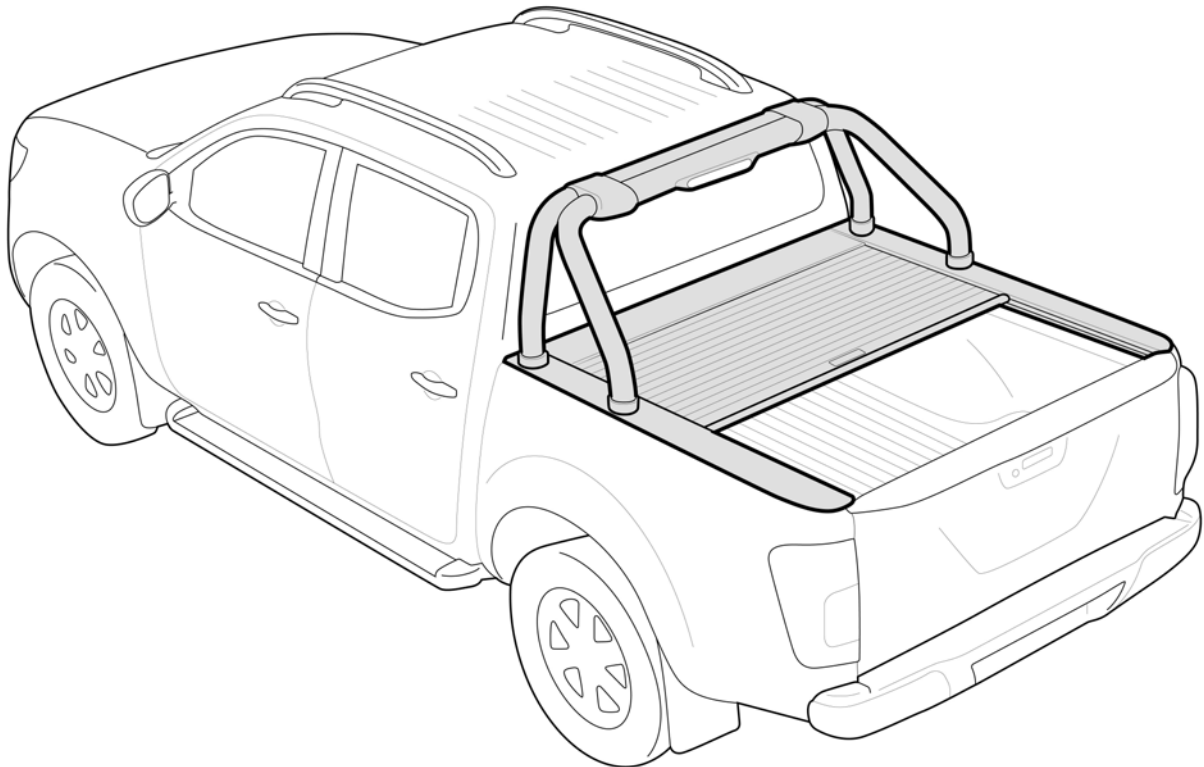
WWW.HSPUTELIDS.COM

Part No: NP52R

Fitting Time: 180 minutes

ROLL-R-COVER

To suit Nissan NP300 Navara Space Cab with sports bars



Roll-R-Cover

Fitting Instructions

– General Notes

- Read through the fitting instructions before installation of accessory.
- Always install the Roll R Cover Wiring Kit following the workshop manual and fitting instructions provided. Failure to do so may cause damage to the vehicle or the accessory.
- Ensure all recyclable components and packaging are discarded and recycled following local recycling regulations.
- It is always recommended that the Roll R Cover Wiring Kit is fitted by a qualified automotive technician.
- Safely store and protect any removed vehicle components.

– Safety Notes

- Check that all work practices comply with safety standards.
- Please wear appropriate clothing and use safety equipment.



– Fitting Time



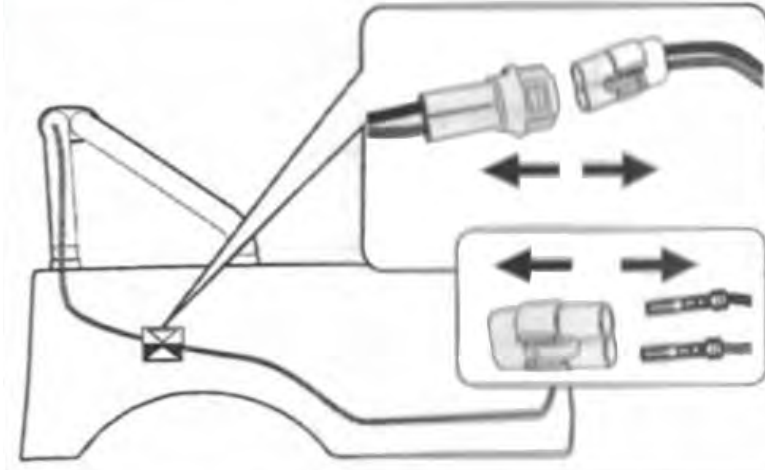
180 minutes

– Parts Supplied

NP52R		EXTRA CAB NISSAN NAVARA D23 NP300 - ROLL R COVER WITH SPORTS BAR MOUNTING KIT	
PART DESCRIPTION	PART NUMBER	QUANTITY/LENGTH	CHECK
NP52R FITTING INSTRUCTIONS	378*	1	
LUBRICANT PUMP SPRAY	47*	1	
REMOTE	215*	2	
PRIMER STICK	44*	1	
CABLE TIE 4.8X300	217*	10	
ROLL R LOOM	216*	1	
NP5R CANISTER AND CURTAIN	275*	1	
NP5R RAIL RIGHTHAND	325*	1	
NP5R RAIL LEFTHAND	326*	1	
NP(1) GASKET	79	2	
NP(2) GASKET	231	2	
M8 GRUB SCREW	27*	2	
M8 NYLOC NUT	28*	2	
M8 FLAT WASHER	34	2	
M8 FLANGE NUT	29*	2	
THREAD BOLT 8.8	30*	1	
ADJUSTMENT PLATES	31*	2	
HOSE 600MM	11*	4	
COMPLETE CANISTER COVER	402	1	
OPERATION LEAFLET	66	1	
MAINTENANCE LEAFLET	67	1	
BLACK PUTTY	3*	8	

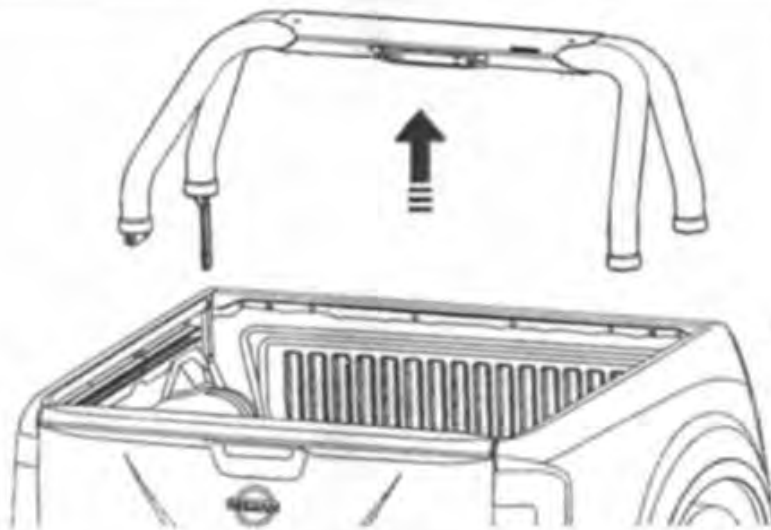
The following steps are for vehicles fitted with a Sportsbar (kit will only work with OE Sportsbar).

– Step 1



Locate brake light wiring loom from rear passenger side wheel arch.
Disconnect and remove plug from connectors.

– Step 2

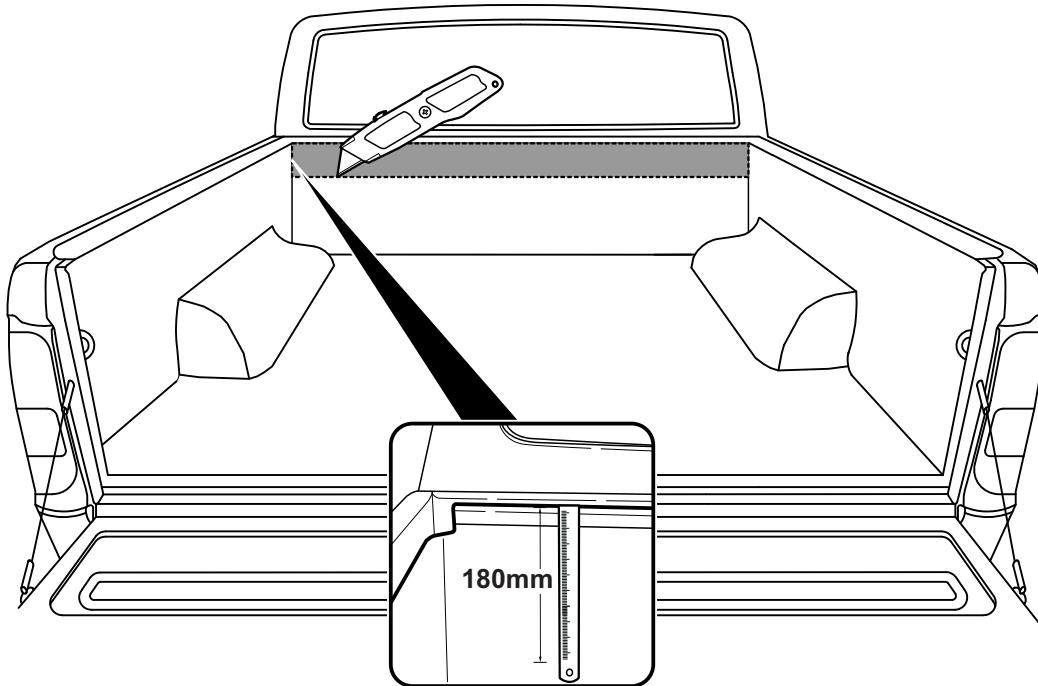


Remove Sports Bars from vehicle.

**The following steps are for vehicles with bed liners.
If there are no bed liners installed move to Step 4**

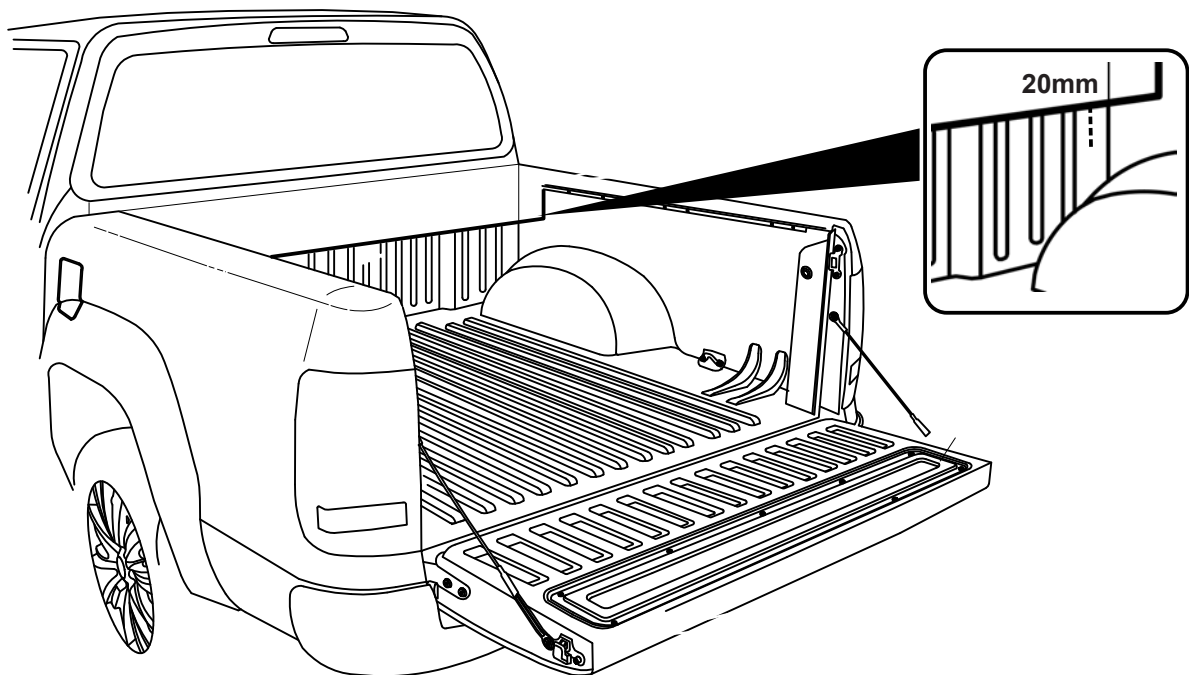
– Step 3

Trim front of bed liner by 180mm from the top of the ute bed as shown.



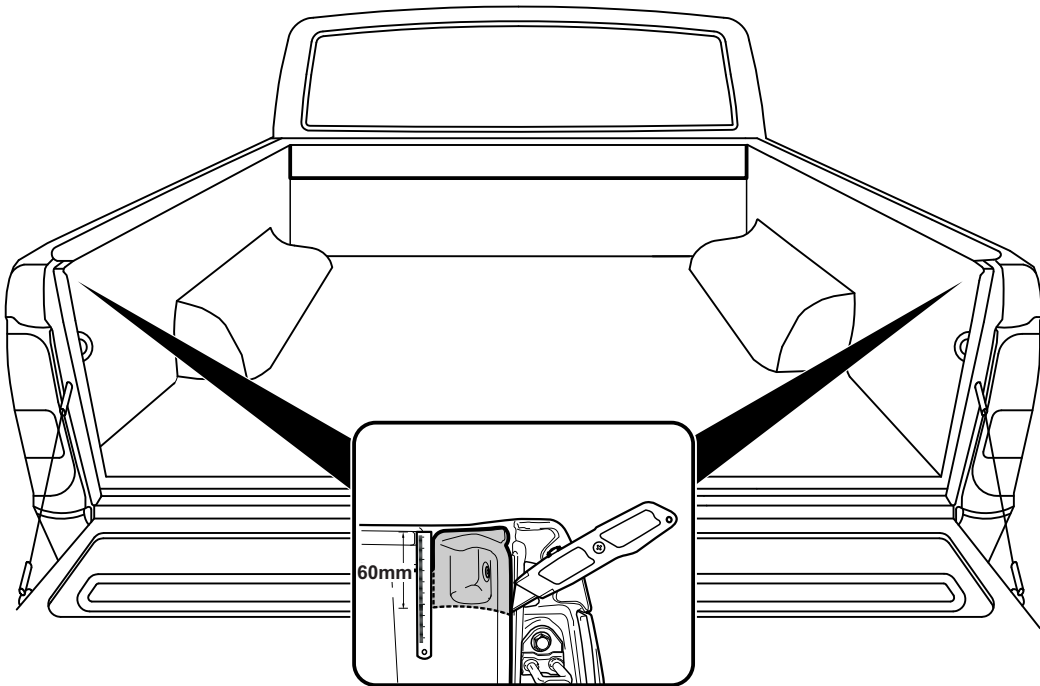
– Step 4

Cut a 20mm split for bed liner to flex.



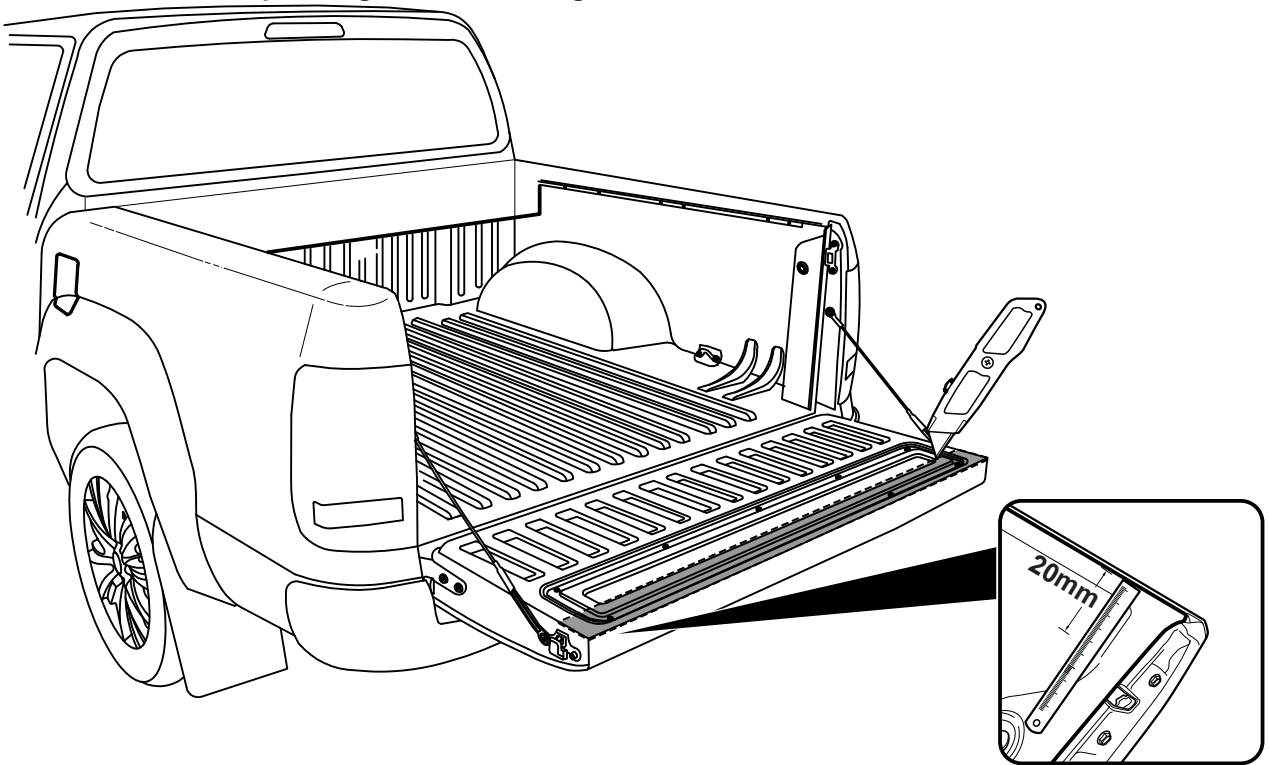
— Step 5 —

Measure 60mm from top of tub and trim liner.



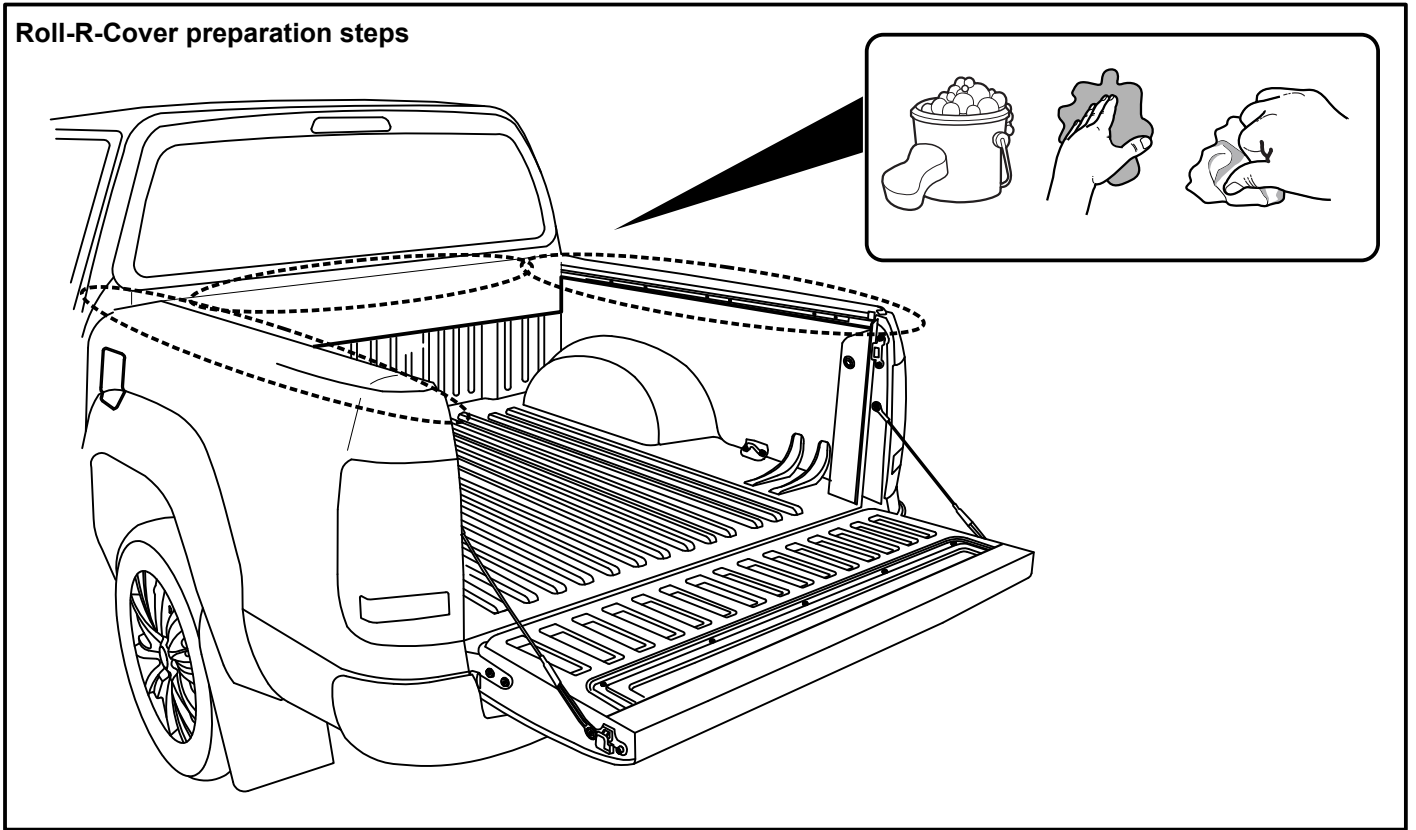
— Step 6 —

Measure 20mm down from top of tailgate and trim tailgate liner.



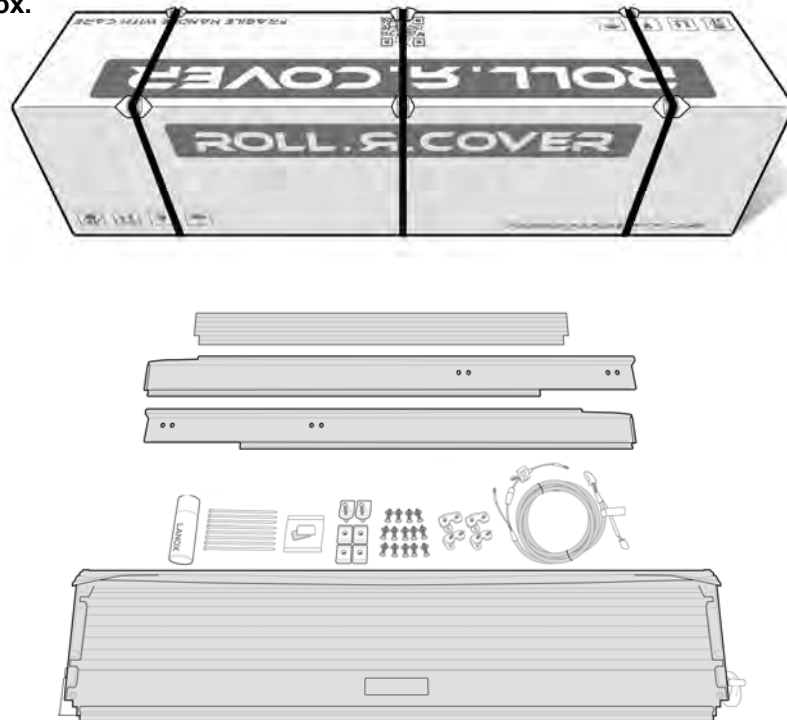
– Step 7

Roll-R-Cover preparation steps



– Step 8

Carefully unpack the box.



– Step 9

Wiring Harness steps

1 Feed through the cavity

3

2

216

Run the wiring from the front corner cavity to the battery over the chassis rail. Making sure to keep away from hot obstructions and cable tie every 400mm.

– Step 10

Remove M8 Bolt & M8 Spring Washer

275

325/326 LHS & RHS

M8

M8

Important
Ensure the black tar is not removed with the film.

Remove M8 Bolt & M8 Spring Washer

275

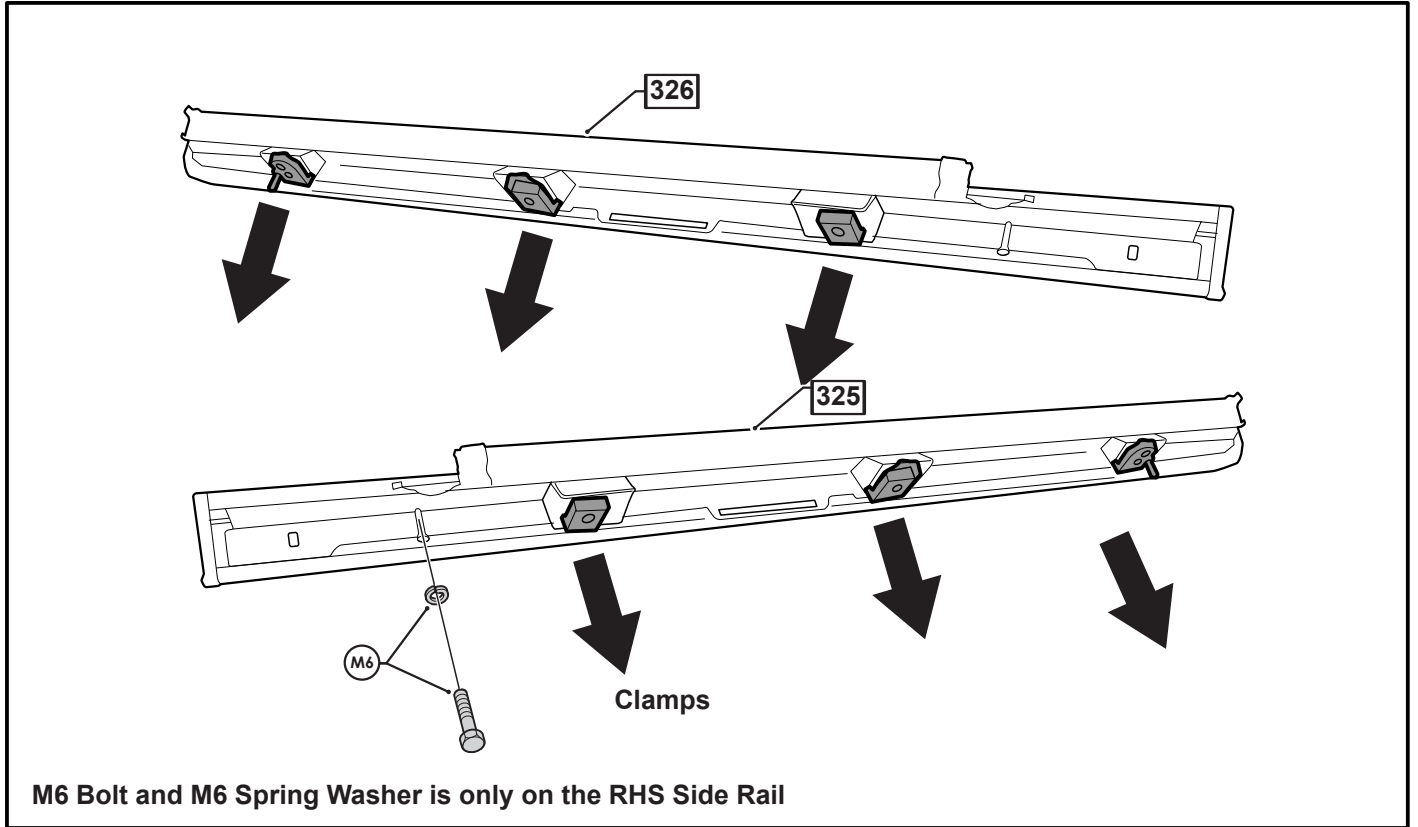
325/326 LHS & RHS

M8

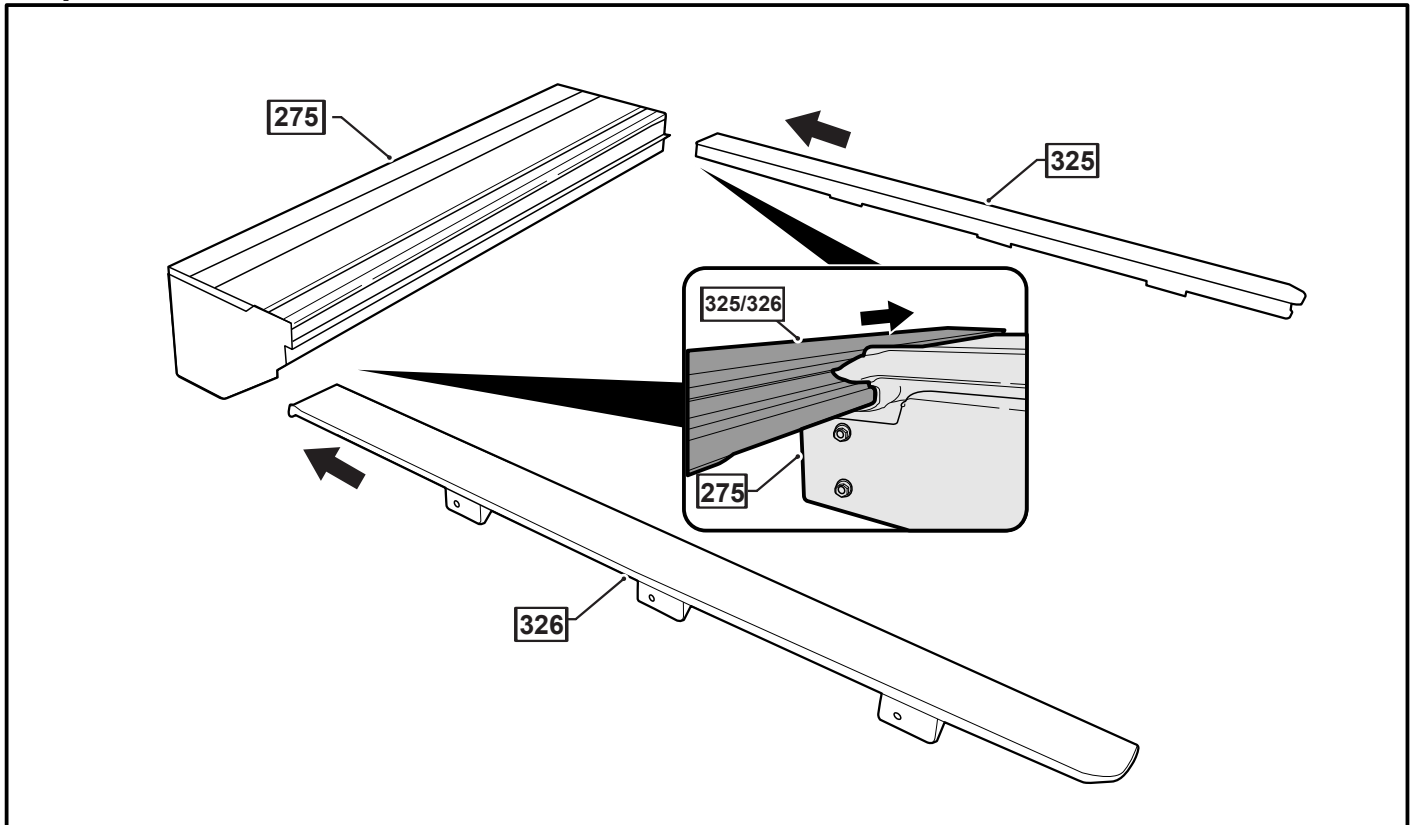
M8

Important
Ensure the black tar is not removed with the film.

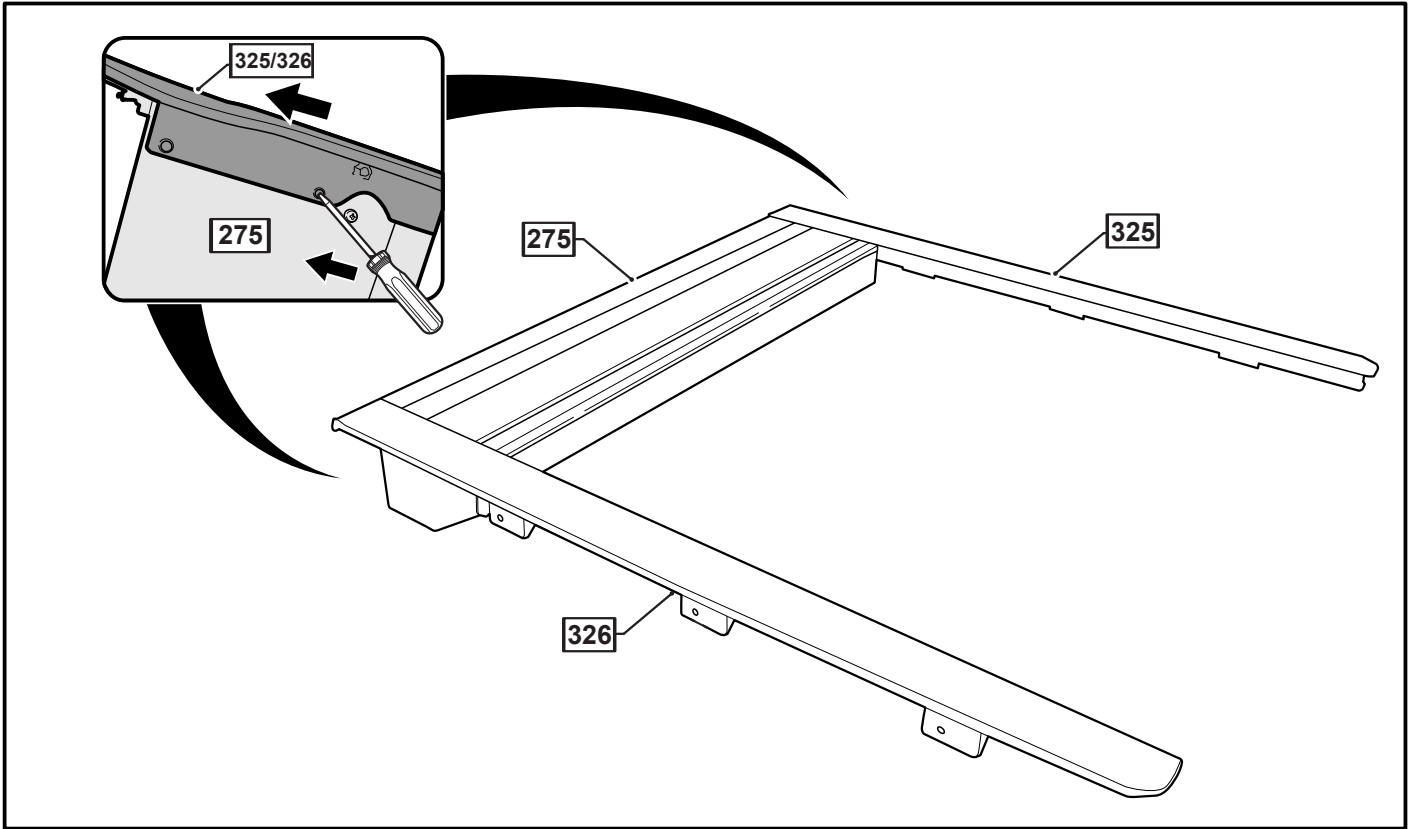
– Step 11



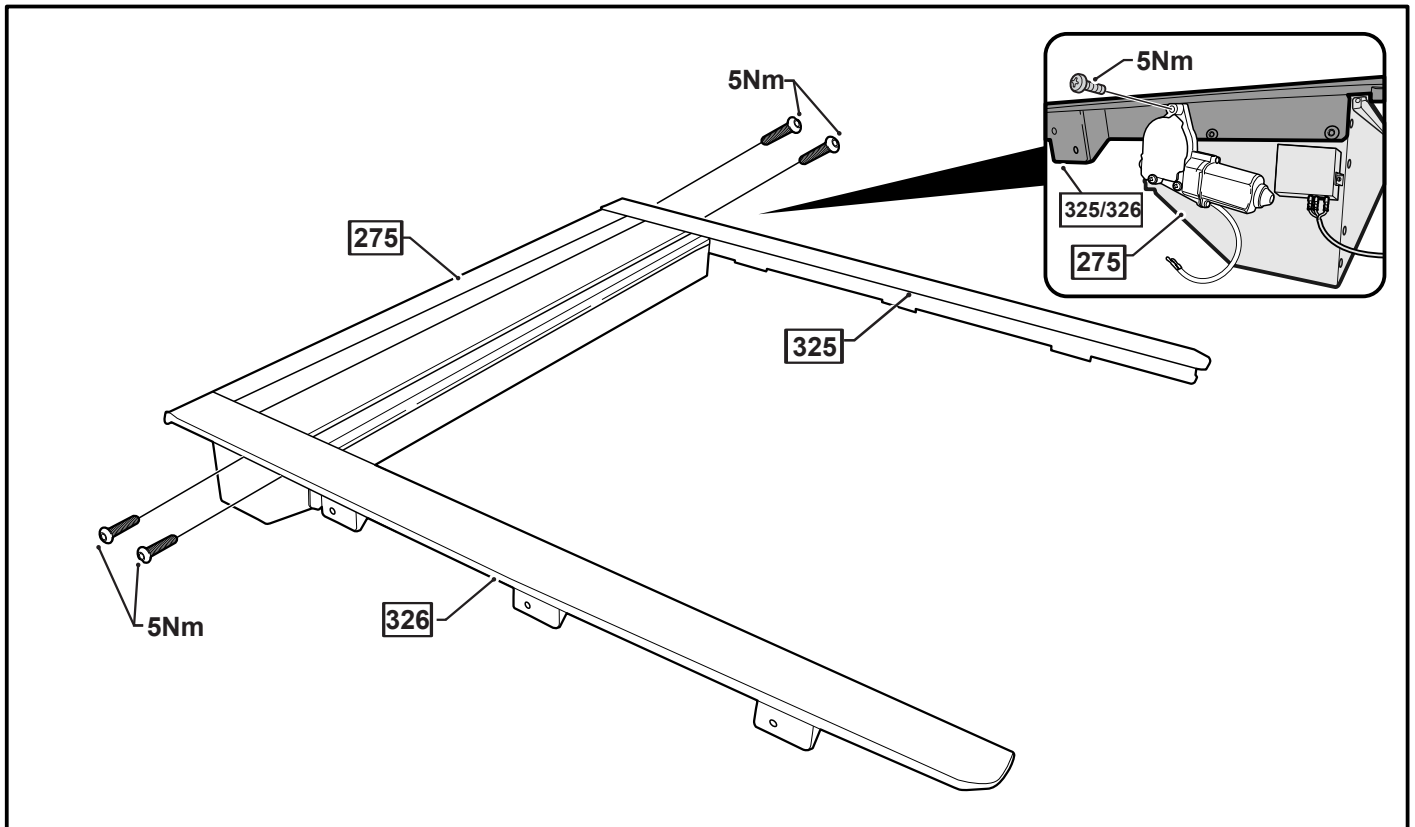
– Step 12



— Step 13 —

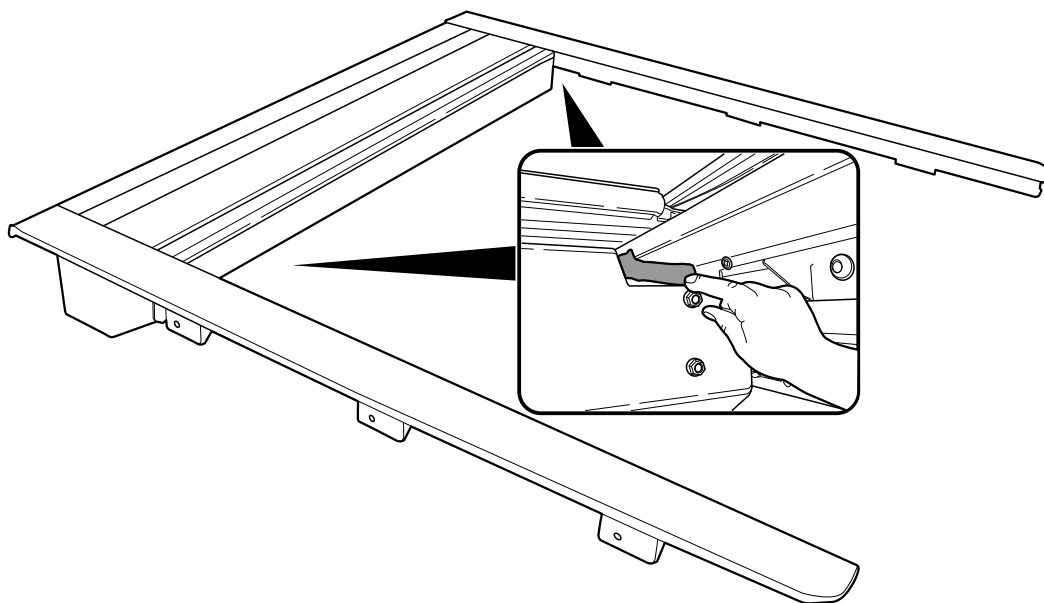


— Step 14 —



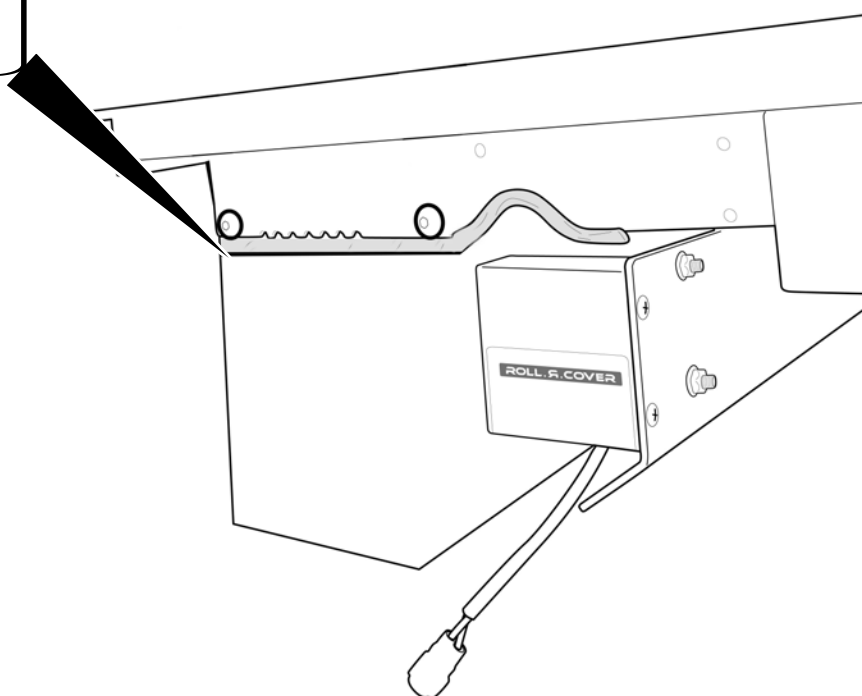
– Step 15

Apply tar sealant to the gap under water channel.

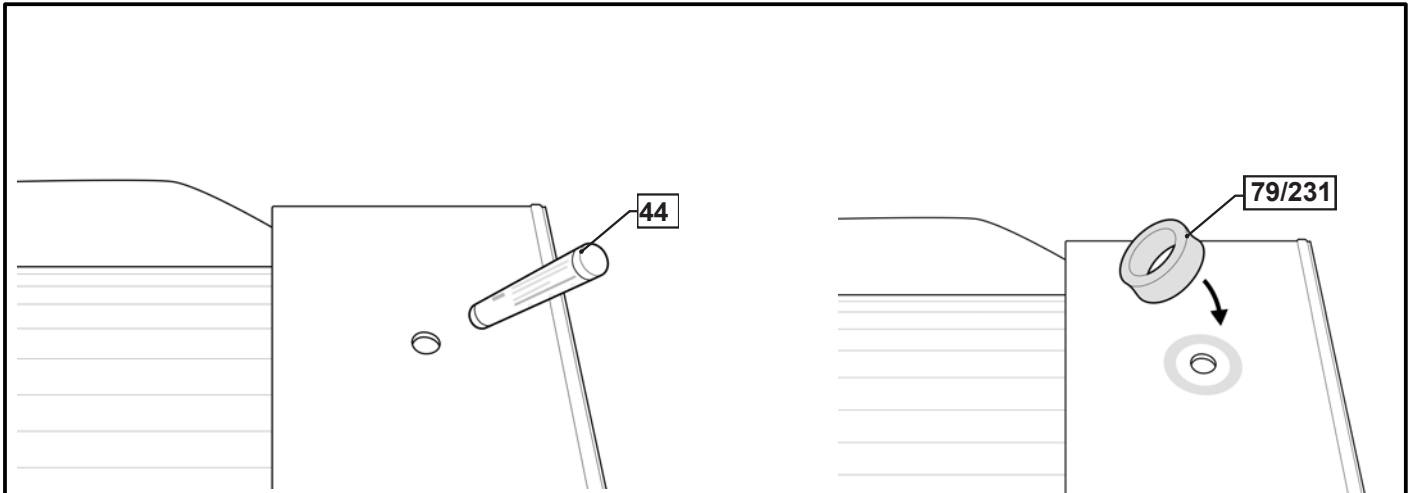


– Step 16

Apply tar sealant to both sides of the canister as shown (where accessible).



– Step 17

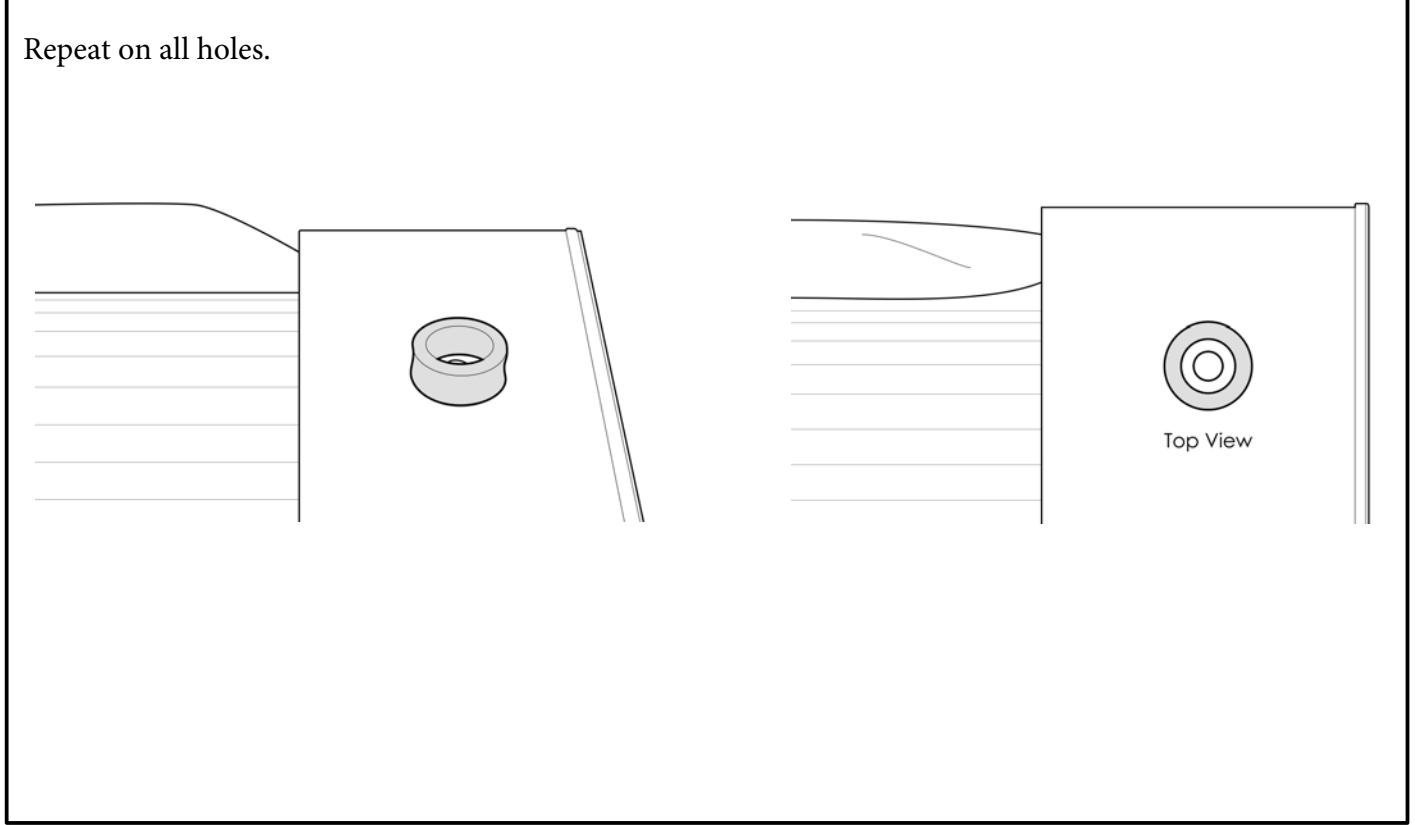


Apply 3M primer provided around side rail holes.

Peel away backing from foam sealant and stick to side rail. Front and rear gaskets are not identical.

– Step 18

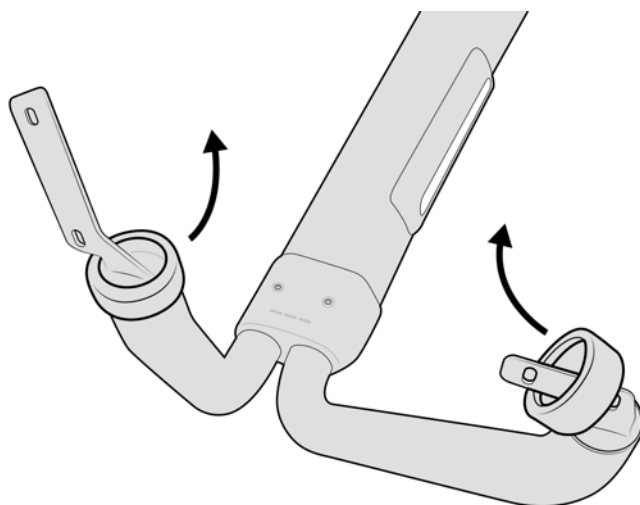
Repeat on all holes.



Top View

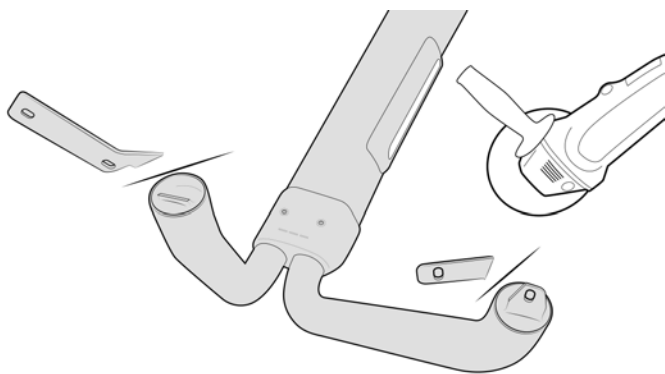
–Step 19–

Remove all rubber cups from sports bar.



–Step 20–

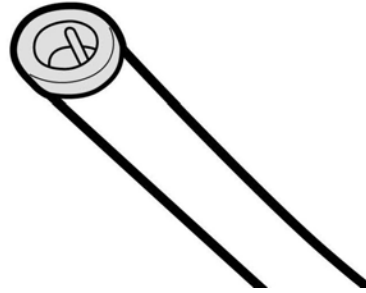
Trim front leg of sports bar to base as shown. Repeat on front legs only.



Cut the rear leg as shown be careful not to damage the sports bar.

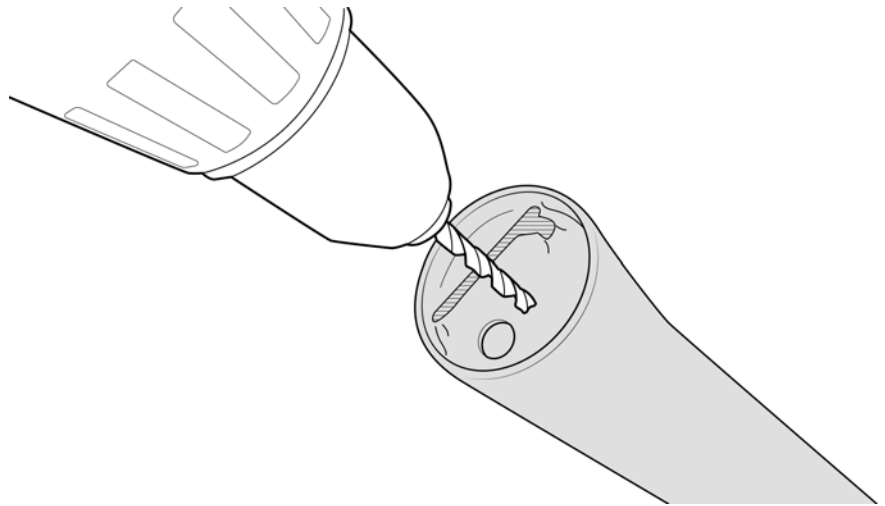
– Step 21

Place previously removed rubber cups back on the sports bars.



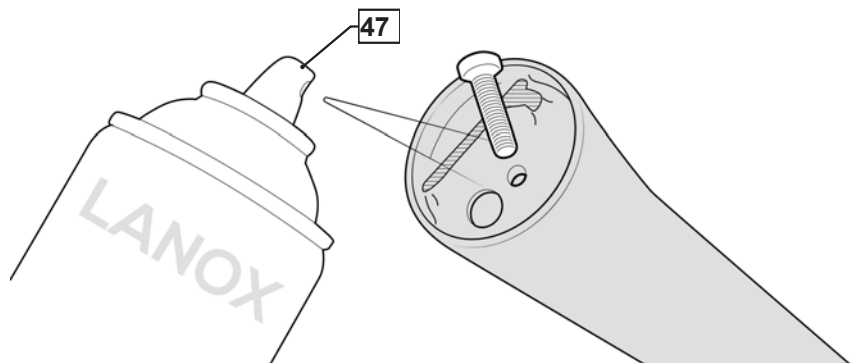
– Step 22

Drill the M6 Sports bar hole with a 6.5mm drill only for the front leg. Repeat for mirroring side



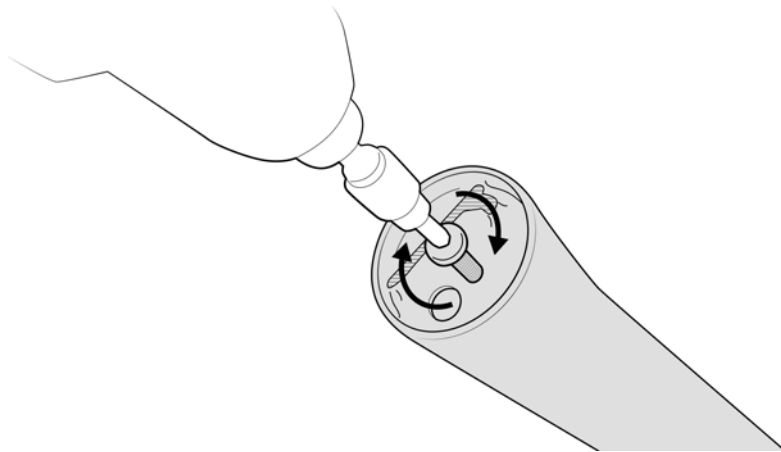
– Step 23

Spray the hole and threading bolt provided with the Roll R Cover spray



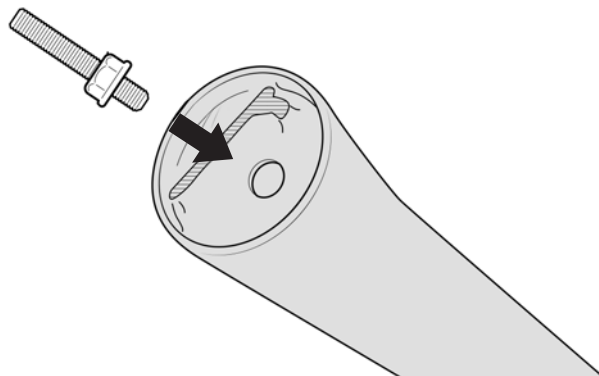
– Step 24

Carefully fasten the threading bolt as shown. This will make a bigger thread in the housing.



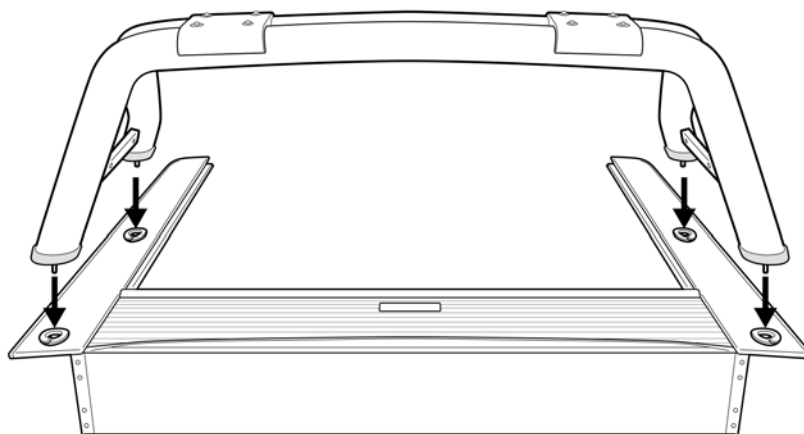
– Step 25

Place and tighten grub screw followed by locking it with the nut.



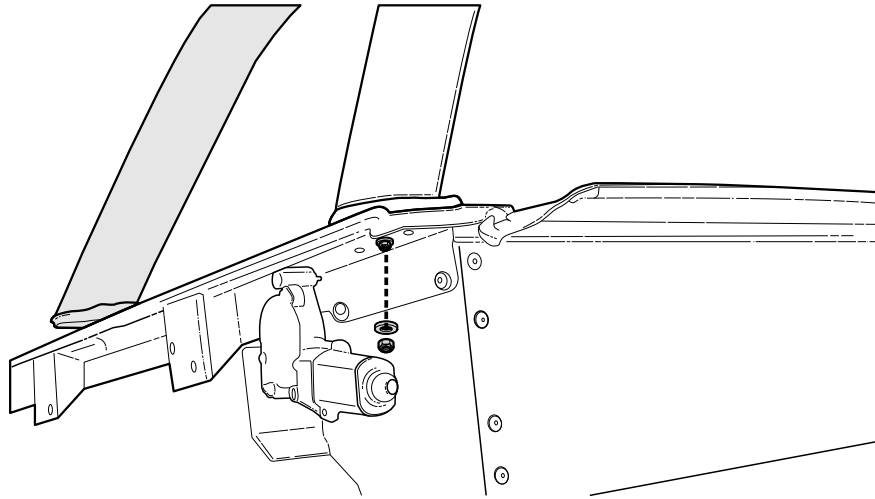
– Step 26

Place Sportsbar on Roll R cover



– Step 27

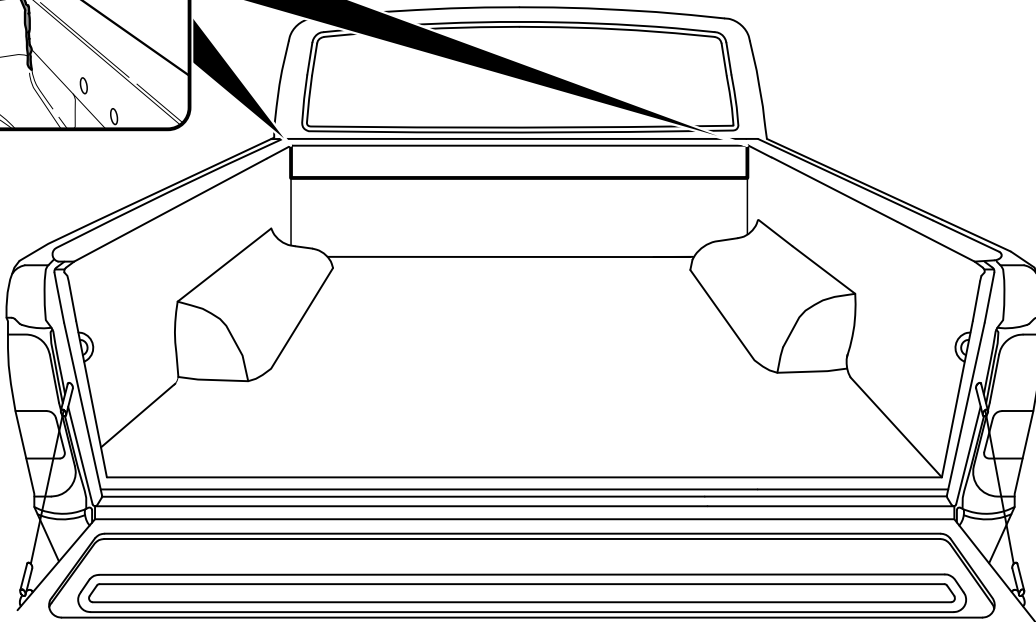
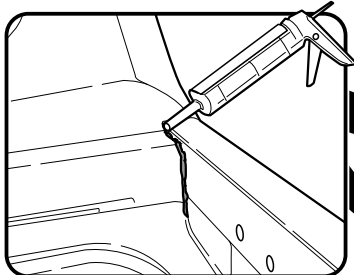
Place flat washer and tighten with the nylock nut provided. Repeat on all four legs.



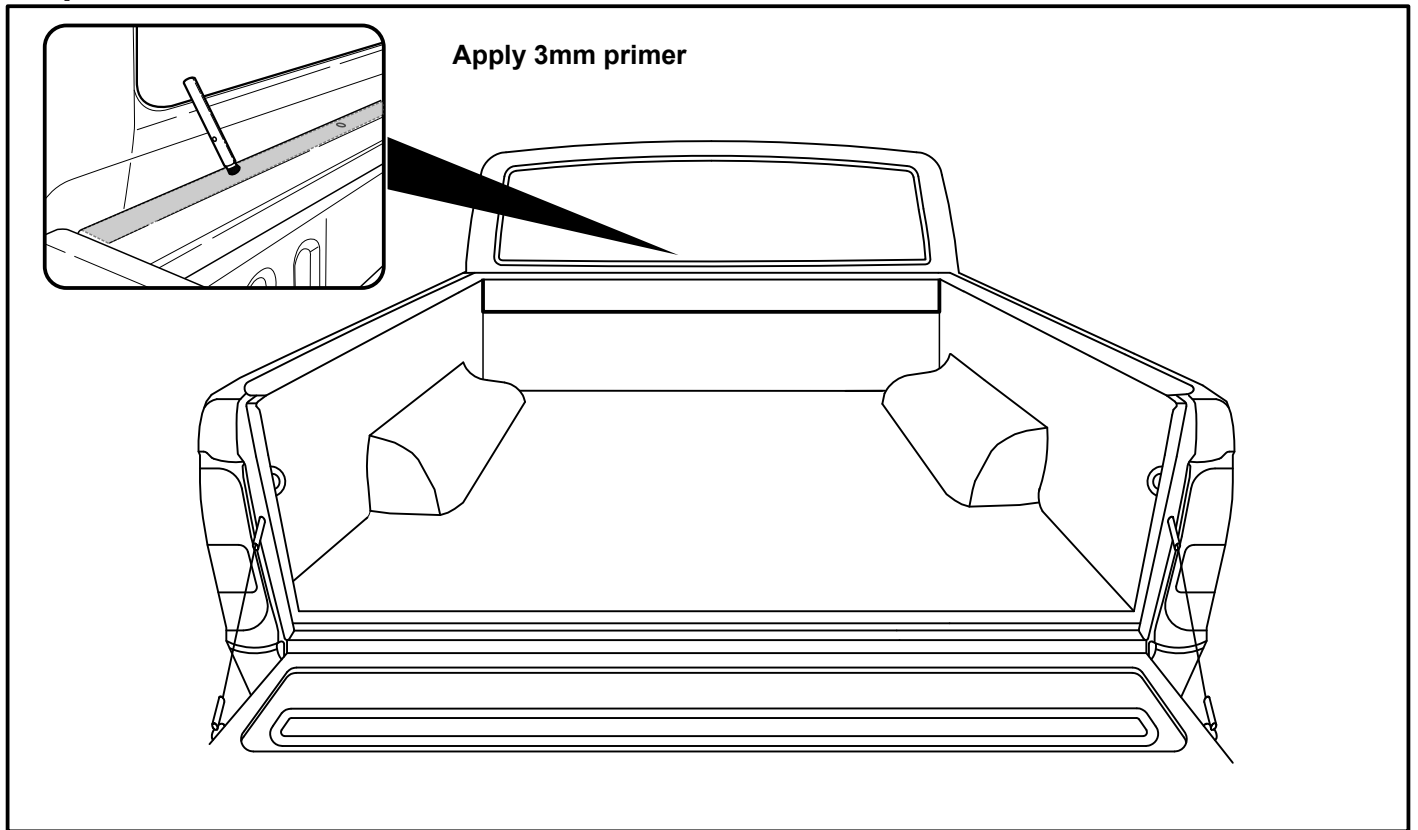
Note - Do not overtighten

– Step 28

Seal any exposed gaps.

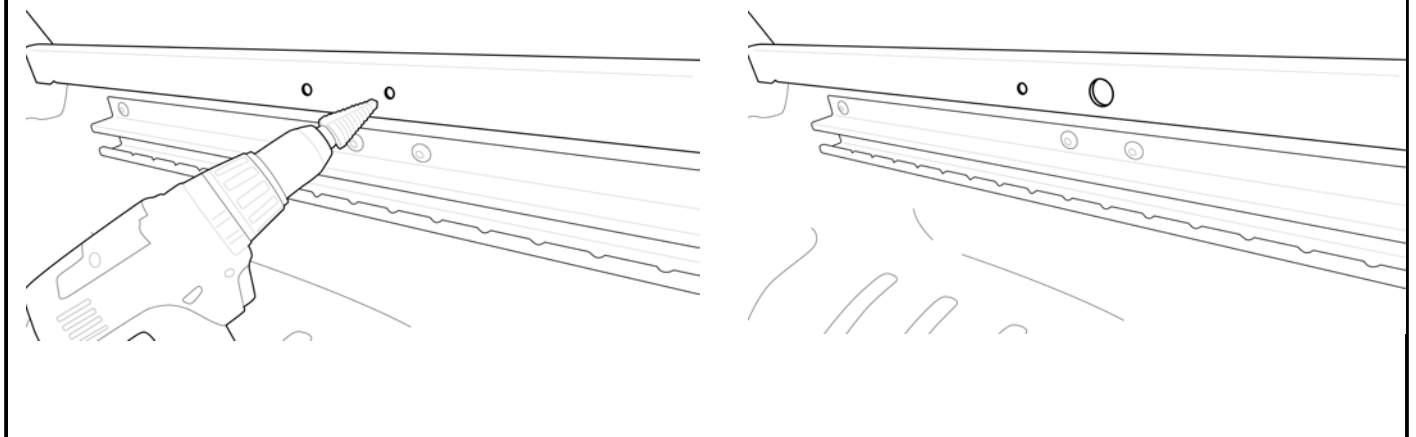


— Step 29 —



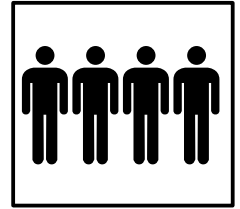
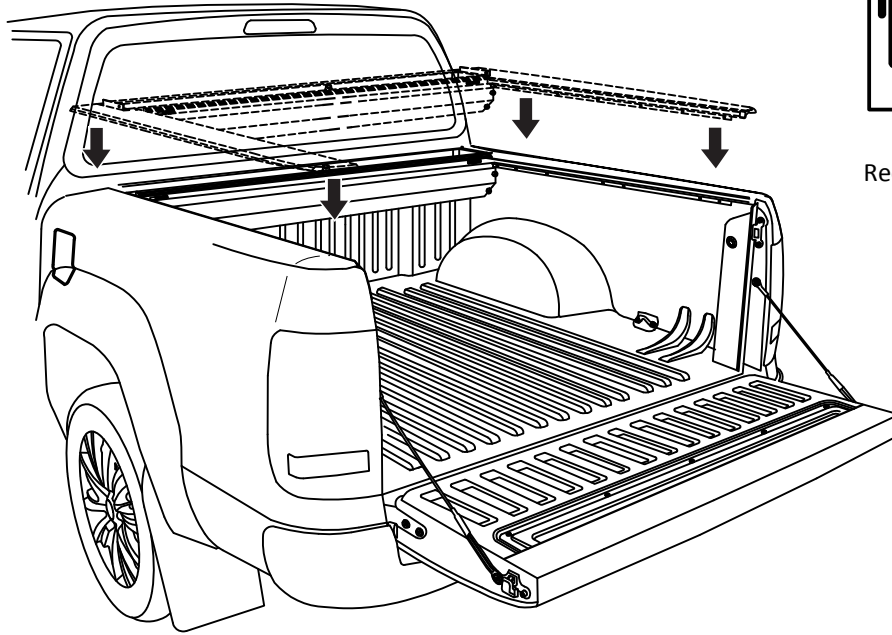
— Step 30 —

Drill the rear hole of the sports bar rear leg mounting holes bigger with a step drill. You should be left with a 16mm hole.



– Step 31

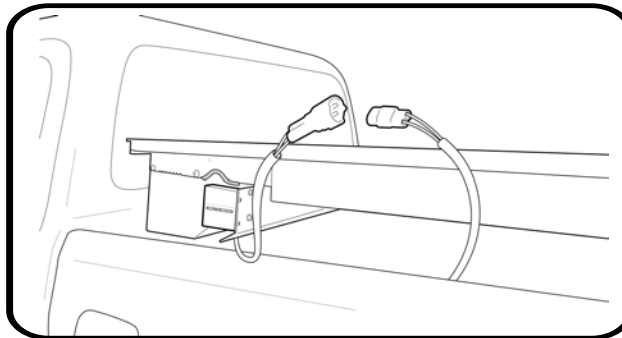
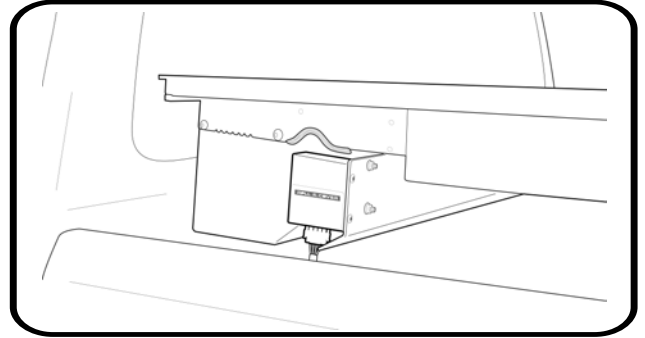
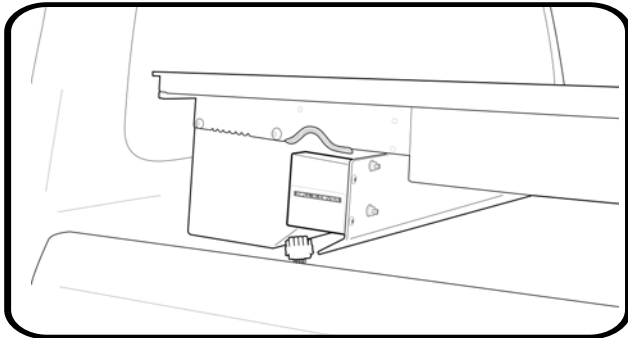
Installing the Roll-R-Cover



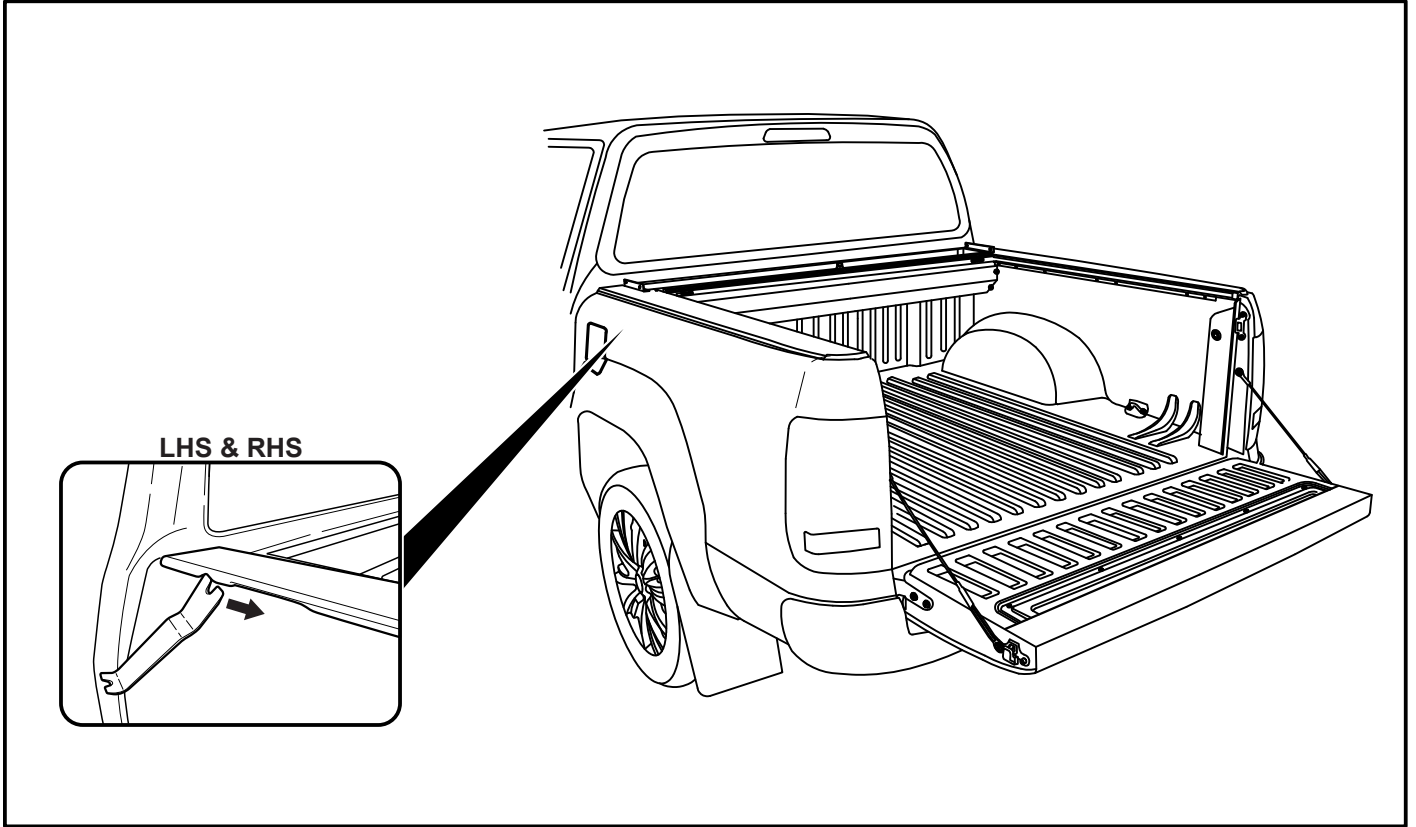
4 People
Recommended for lift

– Step 32

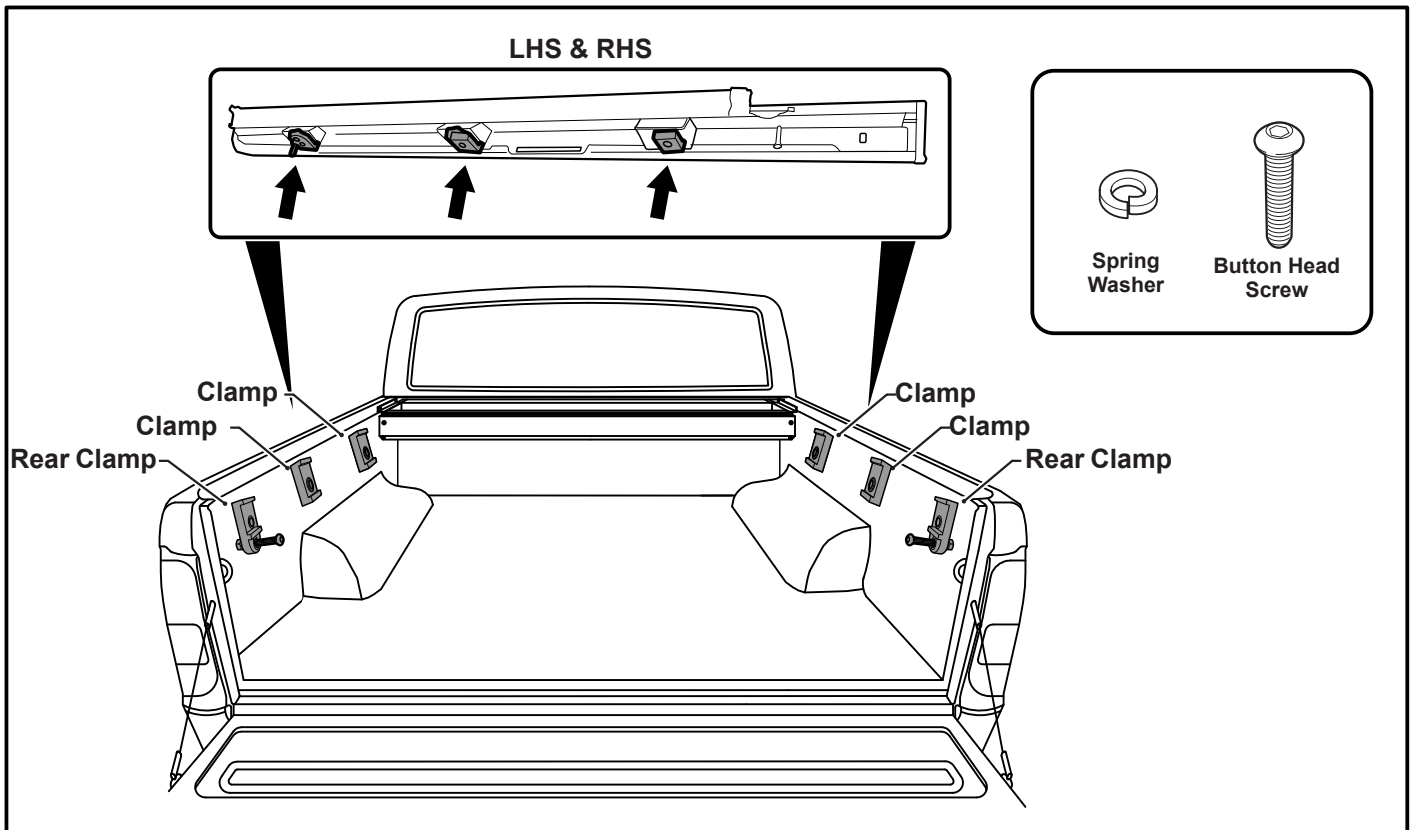
Before dropping the Roll R cover into place on the tub, connect all relevant connections or plugs to the receiver and motor plug connection.



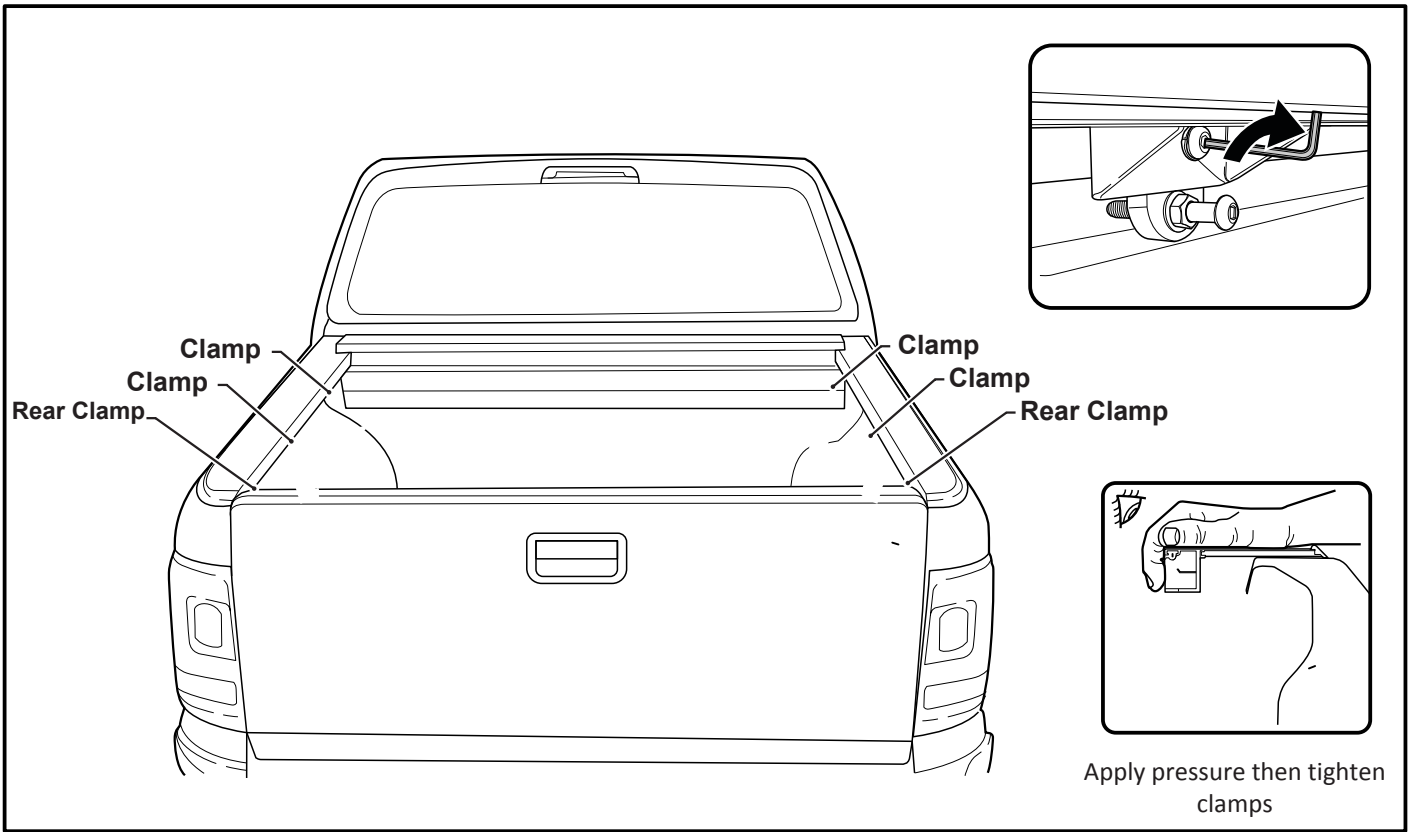
– Step 33



– Step 34

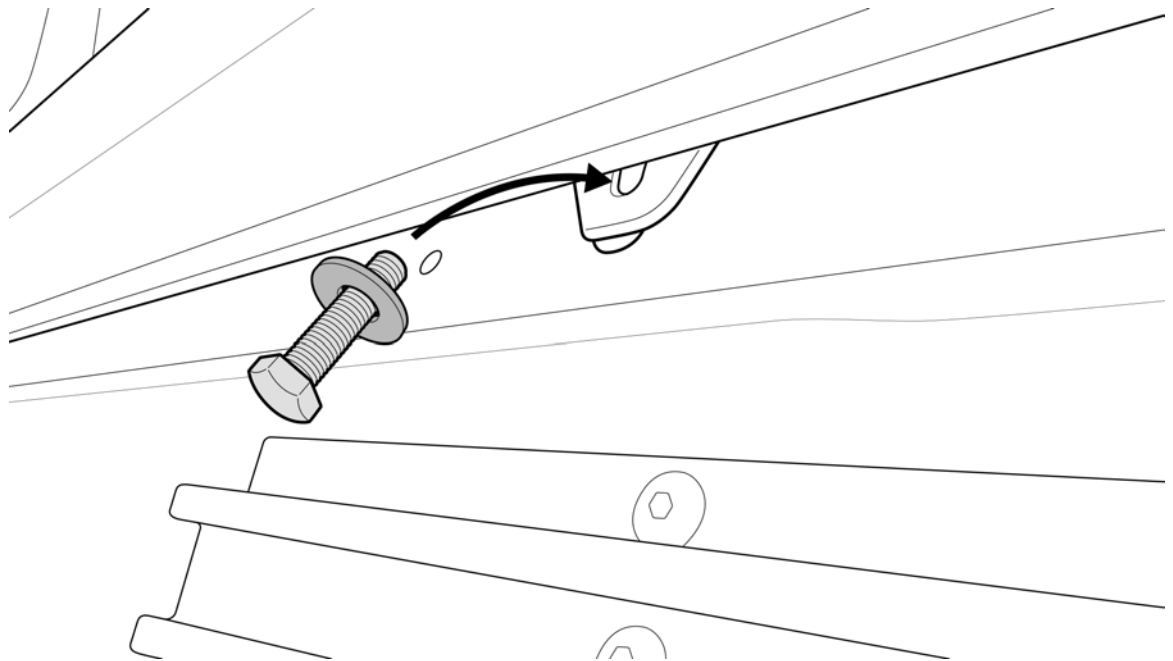


— Step 35 —



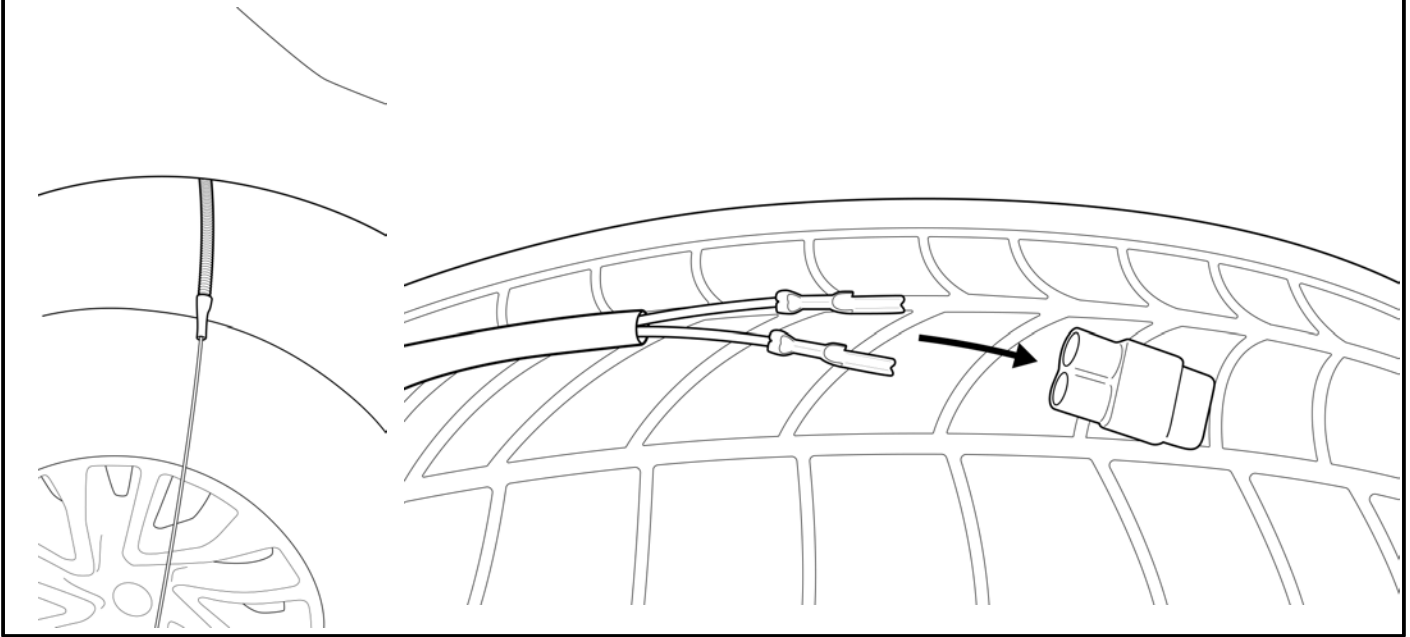
— Step 36 —

Using the retained nut and bolt when removing the sports bar, fasten the rear leg with it.



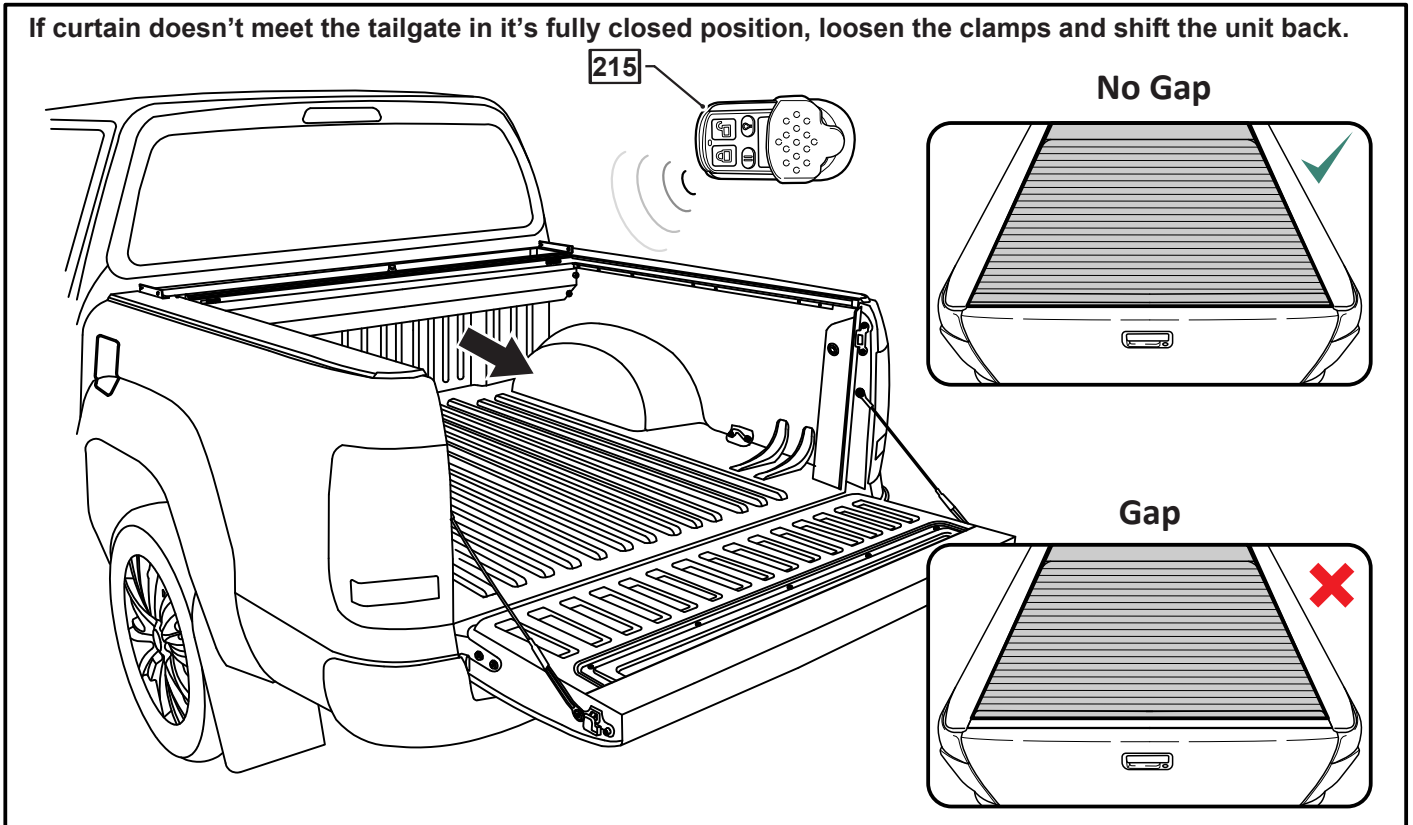
– Step 37

Feed brake light loom back through the cavity and reconnect to connectors for correct operation of brake light.

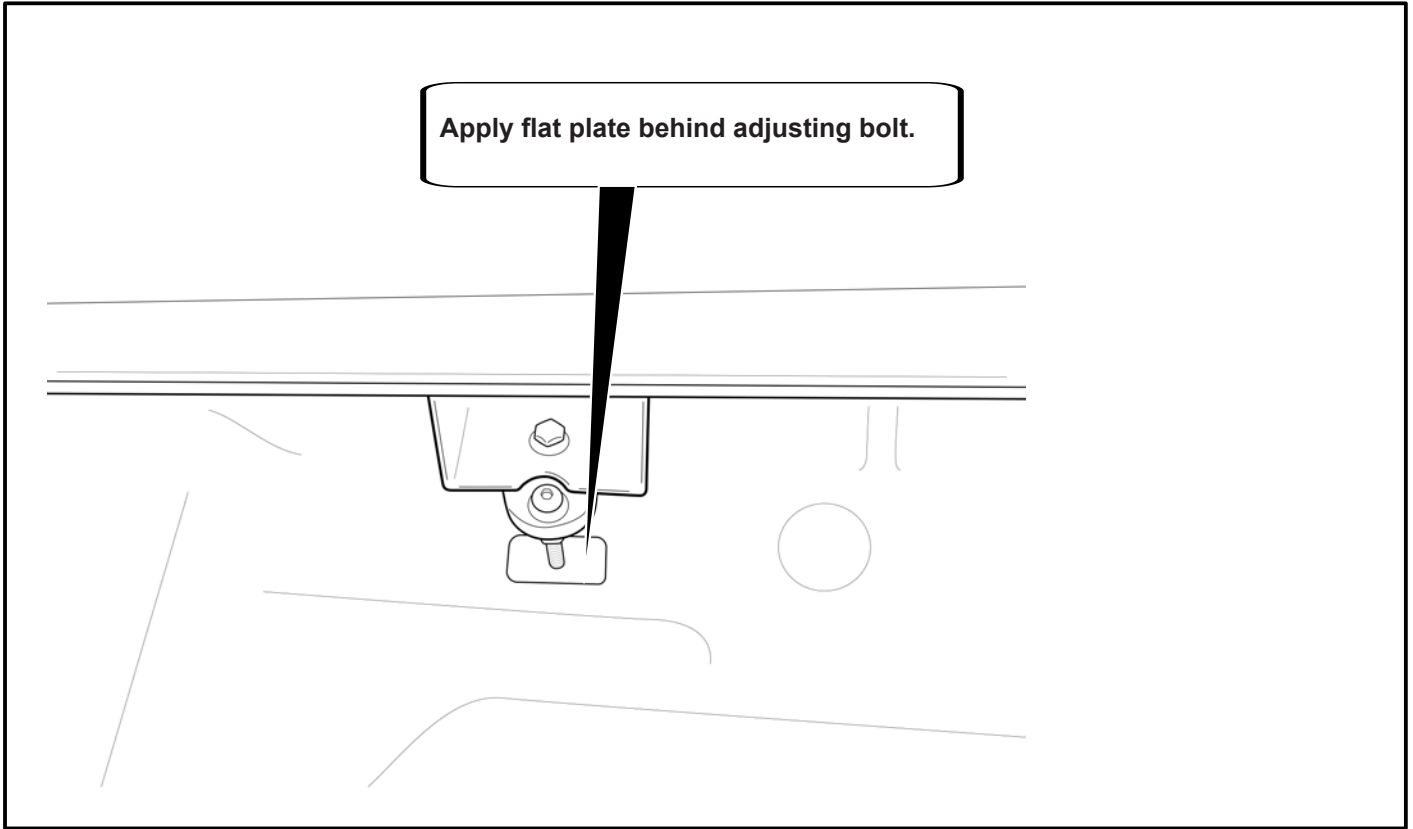


– Step 38

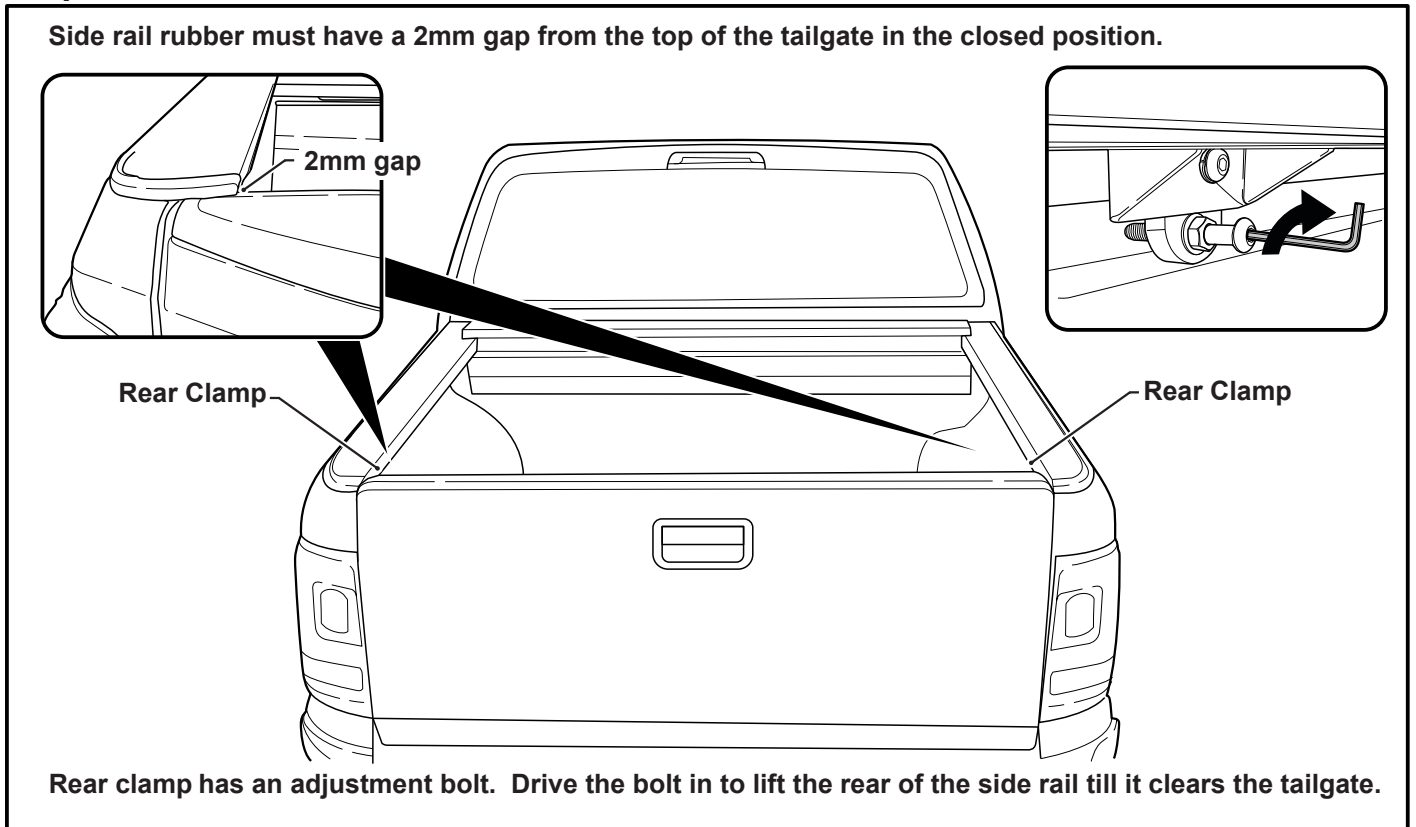
If curtain doesn't meet the tailgate in it's fully closed position, loosen the clamps and shift the unit back.



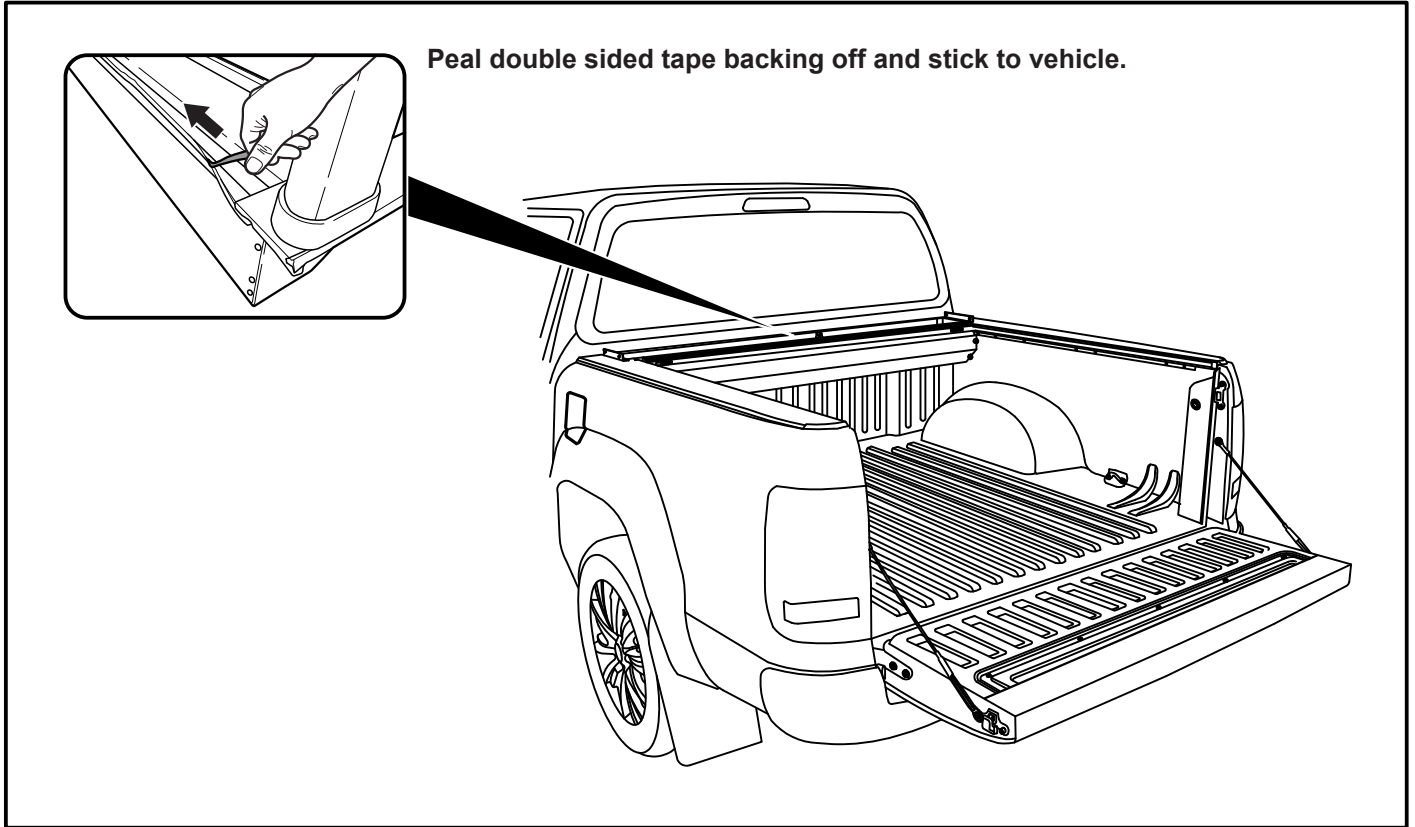
– Step 39



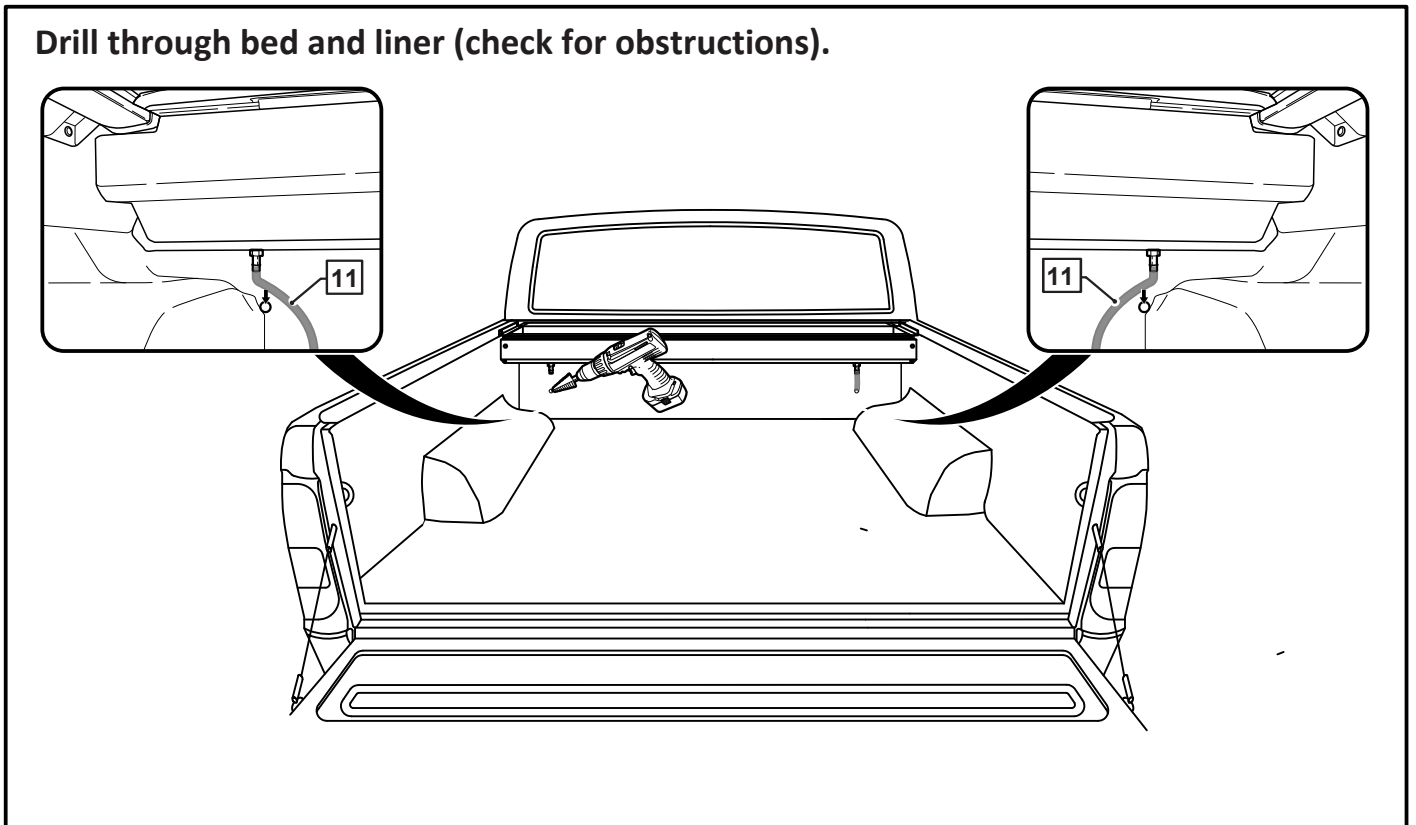
– Step 40



– Step 41

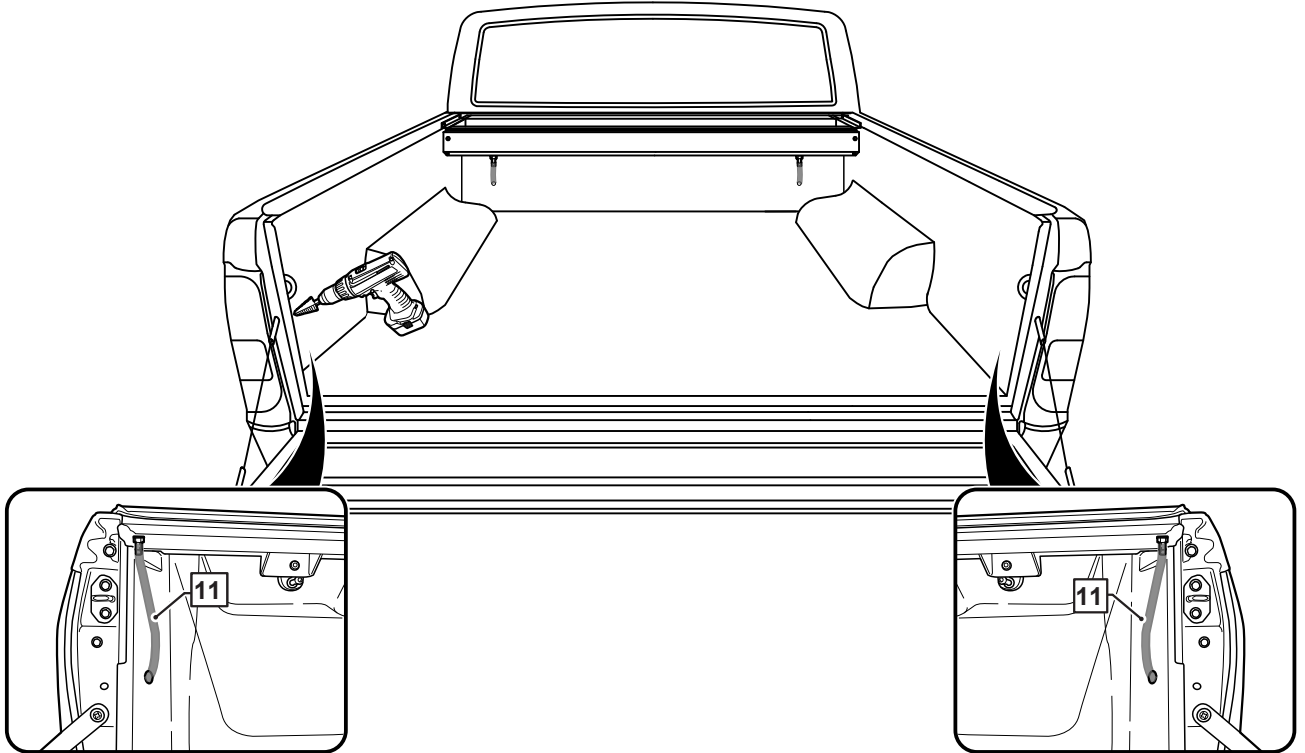


– Step 42



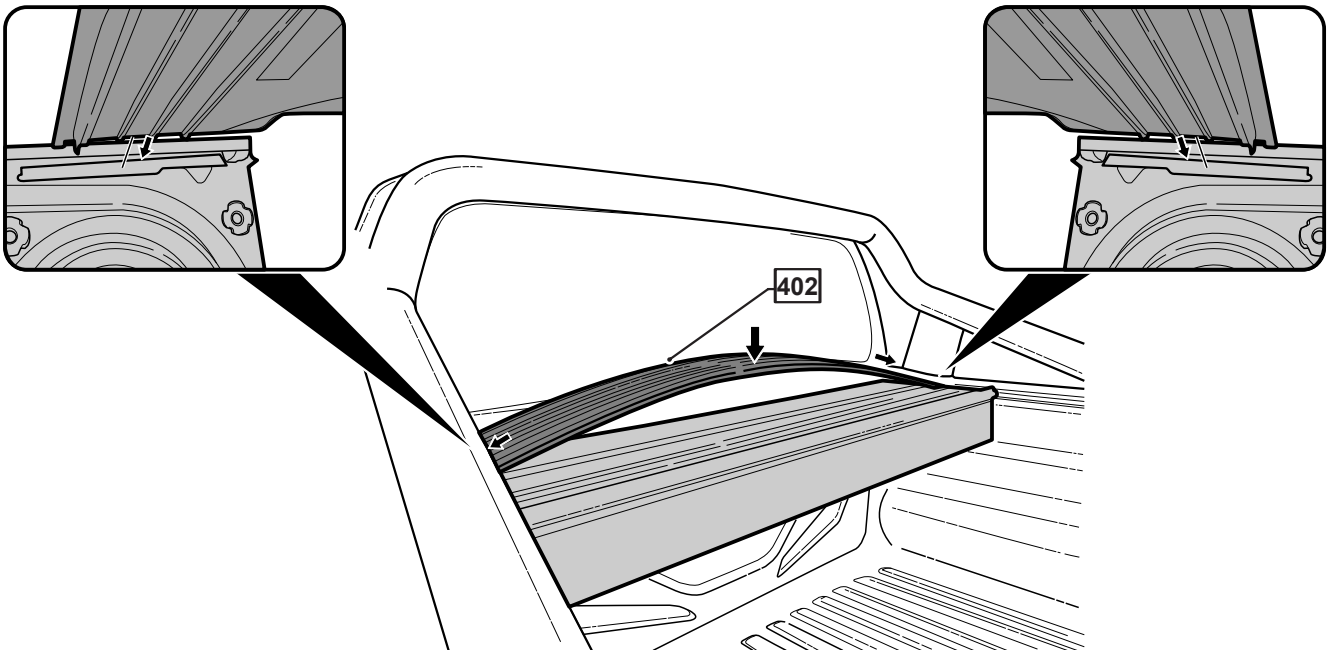
– Step 43

Remove the tail light to check for obstructions before drilling

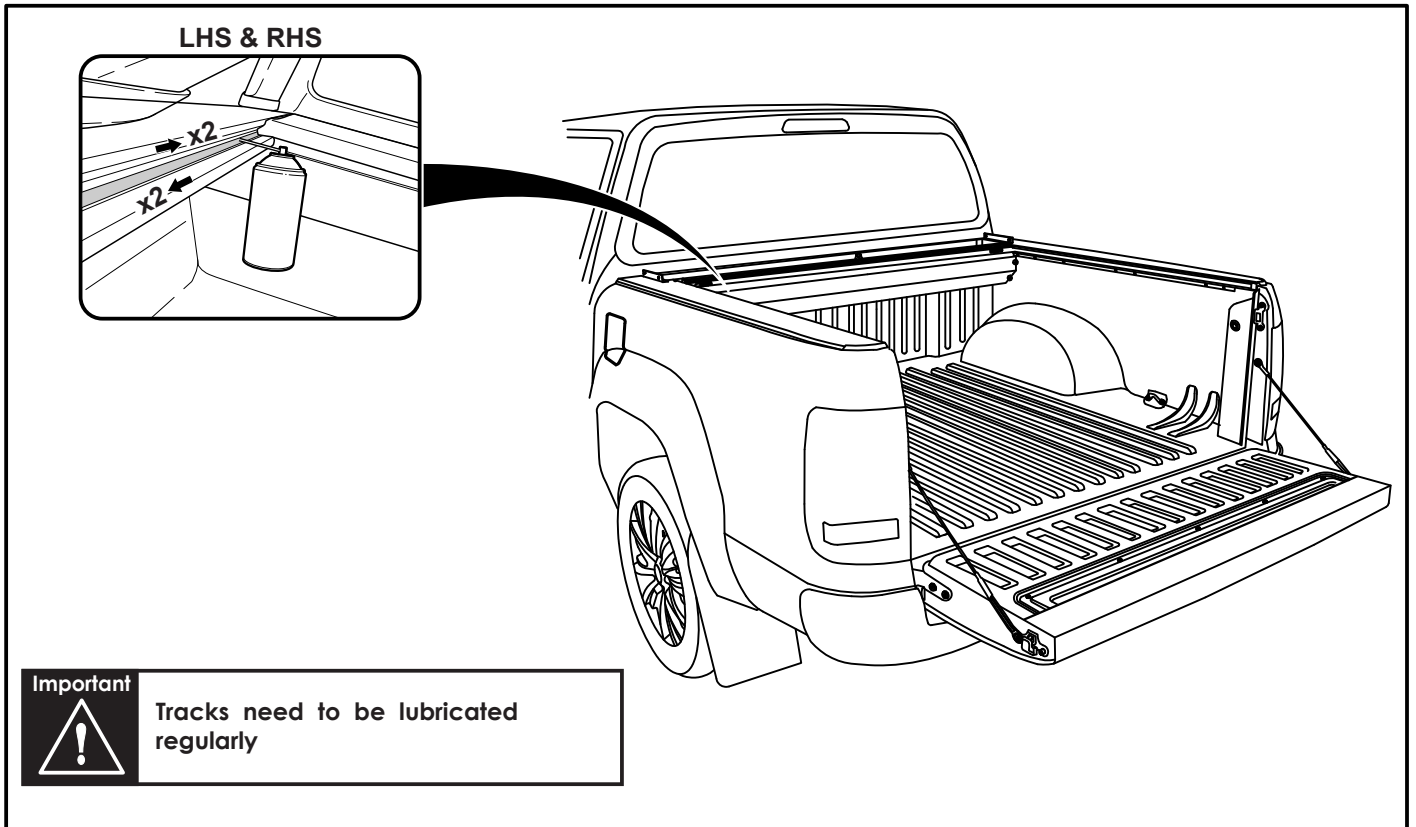


– Step 44

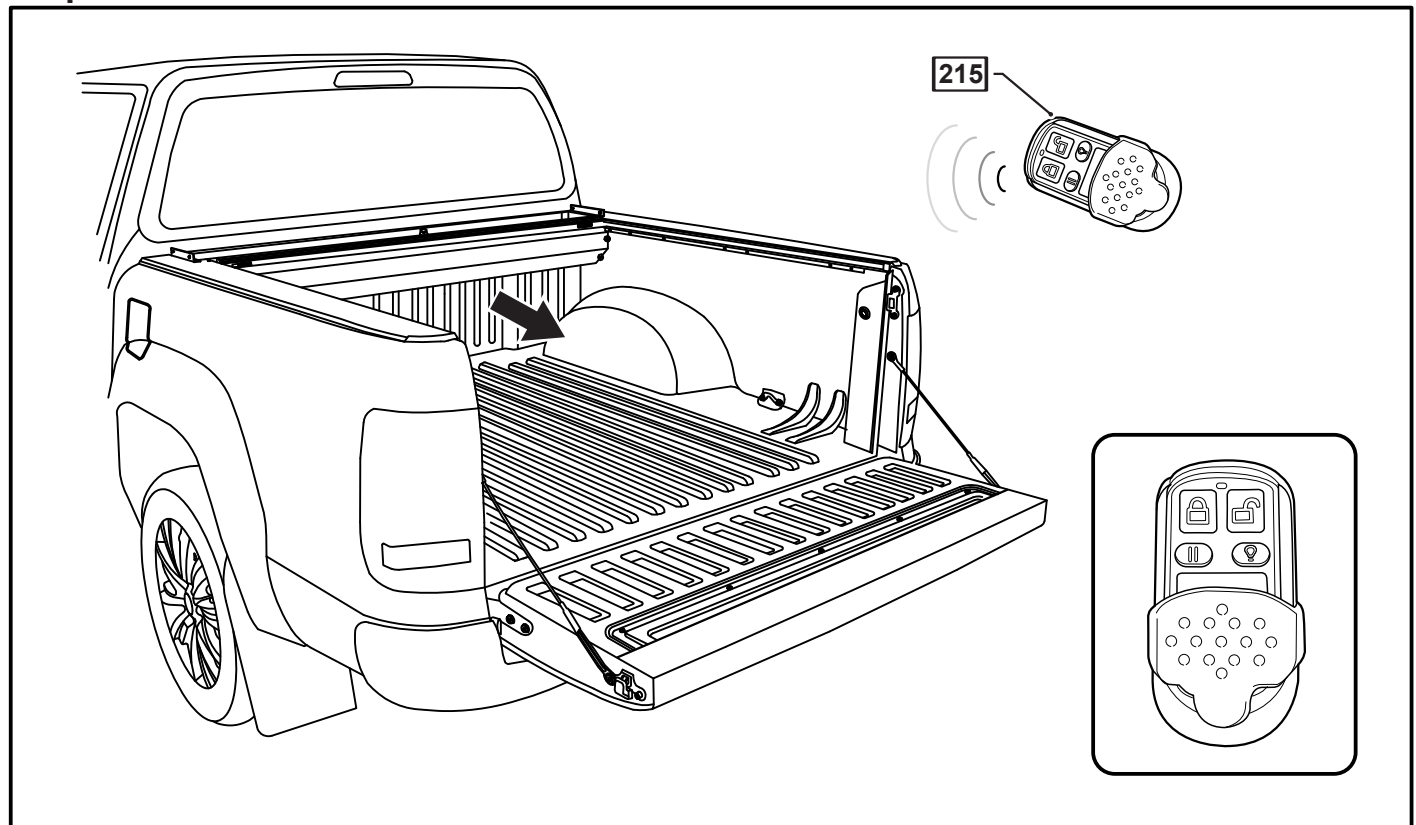
Snap fit the top cover.



– Step 45



– Step 46



Important



You may open tailgate when Roll R Cover is in closed position, however you **MUST NOT** close the tailgate when Roll R Cover curtain is in the fully closed position.

WARNINGS!

www.hsputelids.com

 NO STANDING	 ENSURE LOAD IS SECURE	 OIL CHECK GLIDES OIL REGULARLY	 6Nm CHECK CLAMPS AND TIGHTEN	 kg DO NOT PLACE LOAD ON COVER	 CHECK DRAIN CLEAN CANISTER	 MECHANICAL HAZARD	 NO PEOPLE OR ANIMALS UNDER ROLL TOP
-----------------	------------------------------------	--	--	---	--------------------------------------	--------------------------	---

E. & O.E. This document is copyright and must not be used except as permitted below or under the Copyright Act 1968. You may reproduce and publish this document in whole or in part for your or your organisation's own personal or internal compliance, educational or non-commercial purposes. You must not alter or amend this document in any way. You must not reproduce or publish this document for commercial gain without the prior written consent of the copyright owner.