



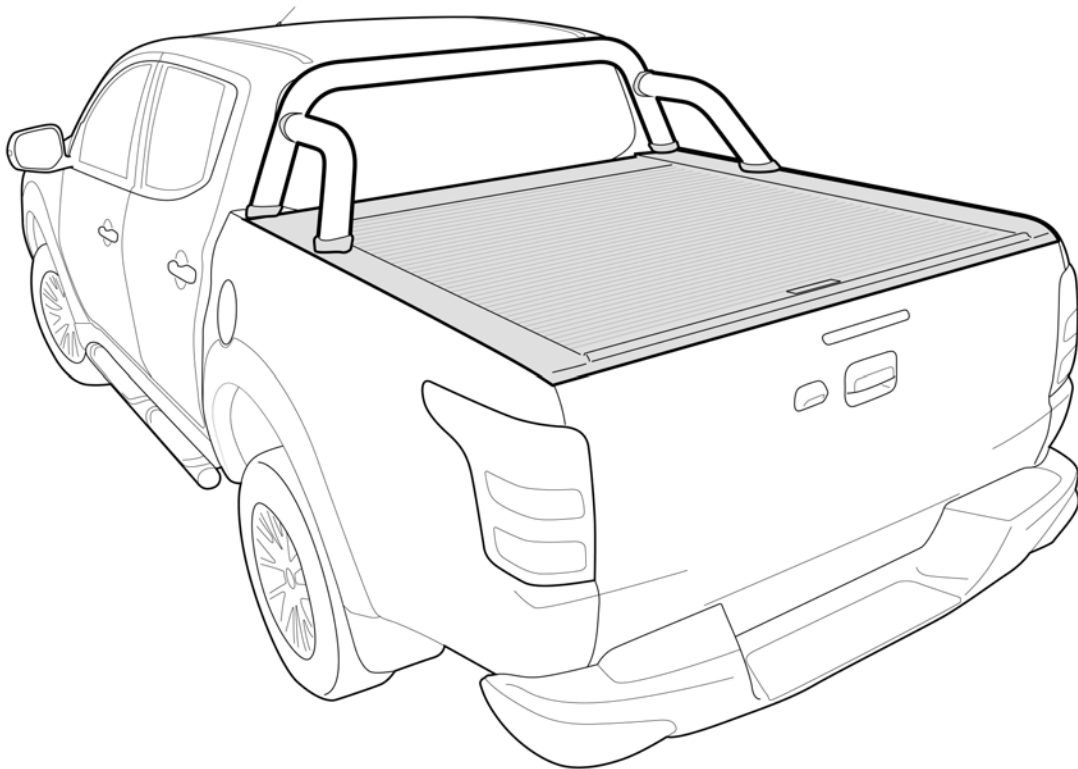
WWW.HSPUTELIDS.COM

Part No: Q42R

Fitting Time: 180 minutes

ROLL.Я.COVER

To suit Mitsubishi MQ Triton Dual Cab with sports bars



Roll-R-Cover

Fitting Instructions

– General Notes

- Read through the fitting instructions before installation of accessory.
- Always install the Roll R Cover Wiring Kit following the workshop manual and fitting instructions provided. Failure to do so may cause damage to the vehicle or the accessory.
- Ensure all recyclable components and packaging are discarded and recycled following local recycling regulations.
- It is always recommended that the Roll R Cover Wiring Kit is fitted by a qualified automotive technician.
- Safely store and protect any removed vehicle components.

– Safety Notes

- Check that all work practices comply with safety standards.
- Please wear appropriate clothing and use safety equipment.



– Fitting Time



180 minutes

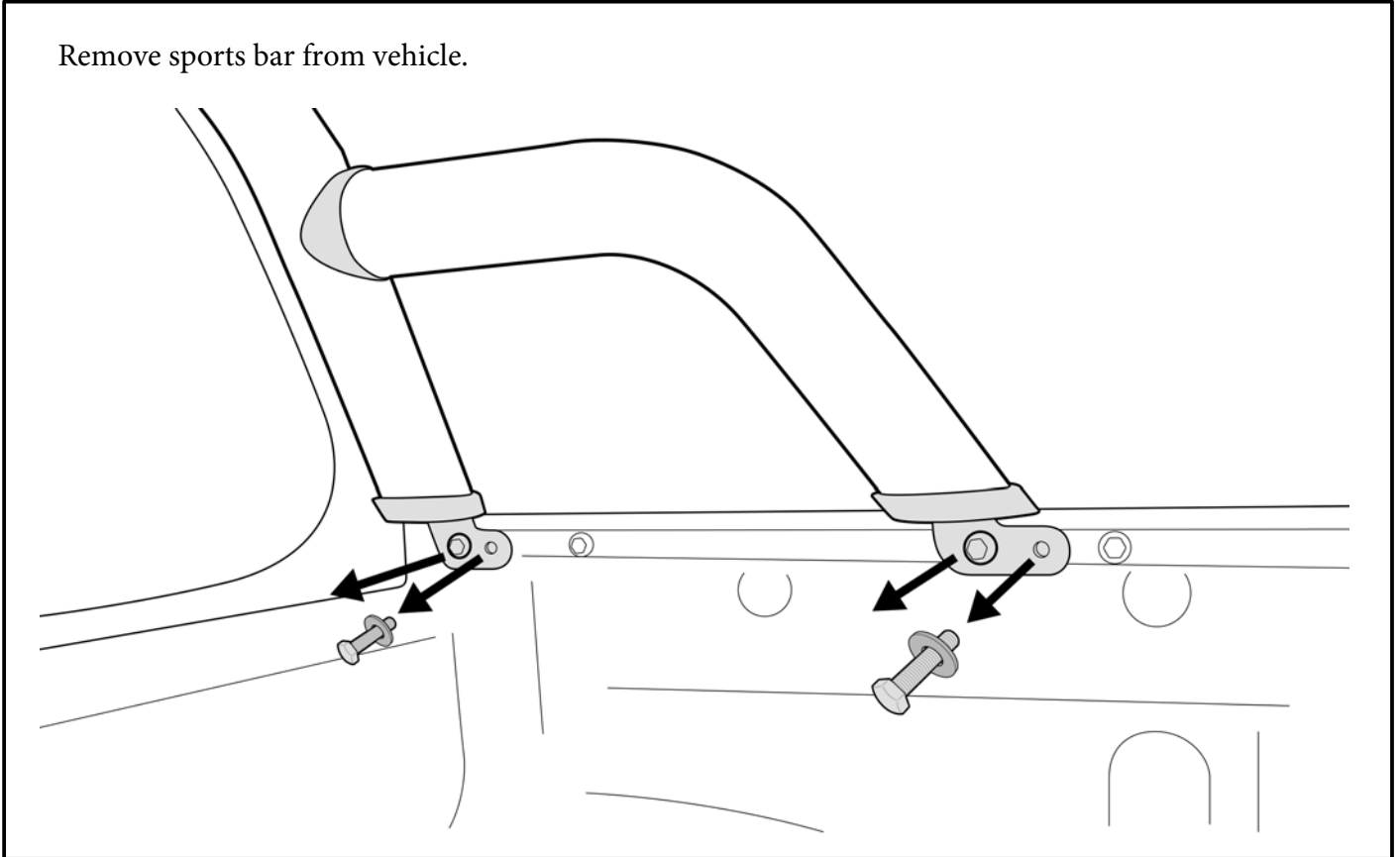
– Parts Supplied

Q42R		DUAL CAB MITSUBISHI MQ TRITON - ROLL R COVER WITH SPORTS BAR MOUNTING KIT		
PART DESCRIPTION	PART NUMBER	QUANTITY/LENGTH	CHECK	
Q42R FITTING INSTRUCTIONS	380*	1		
LUBRICANT PUMP SPRAY	47*	1		
REMOTE	215*	2		
PRIMER STICK	44*	1		
CABLE TIE 4.8X300MM	217*	10		
ROLL R LOOM	216*	1		
Q4R CANISTER AND CURTAIN	276*	1		
Q42R RAIL RIGHTHAND	329*	1		
Q42R RAIL LEFTHAND	330*	1		
Q4R FRONT BAR ASSEMBLY	151*	1		
Q4R BRACKET	46*	4		
Q4R GASKET	232*	4		
M8 30MM HEX SCREW BLACK	33	8		
M8 SPRING WASHER	15*	12		
M8 FLAT WASHER	16*	8		
M8 HEX NUT	20*	8		
M8 30MM SCOKET SCREW HEAD	18*	4		
HOSE 600MM	11*	4		
COMPLETE CANISTER COVER	403	1		
OPERATION LEAFLET	66	1		
MAINTENANCE LEAFLET	67	1		
ADJUSTMENT PLATES	31	2		
BLACK PUTTY	3*	8		

The following steps are for vehicles fitted with a Sportsbar (kit will only work with OE Sportsbar).

– Step 1

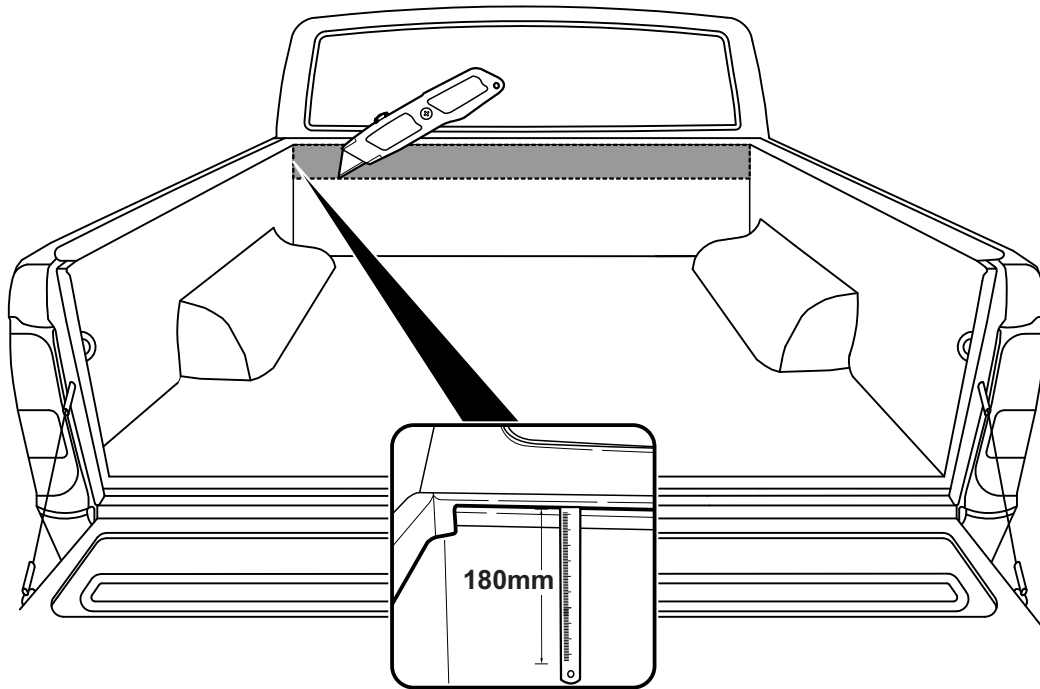
Remove sports bar from vehicle.



**The following steps are for vehicles with bed liners.
If there are no bed liners installed move to Step 5**

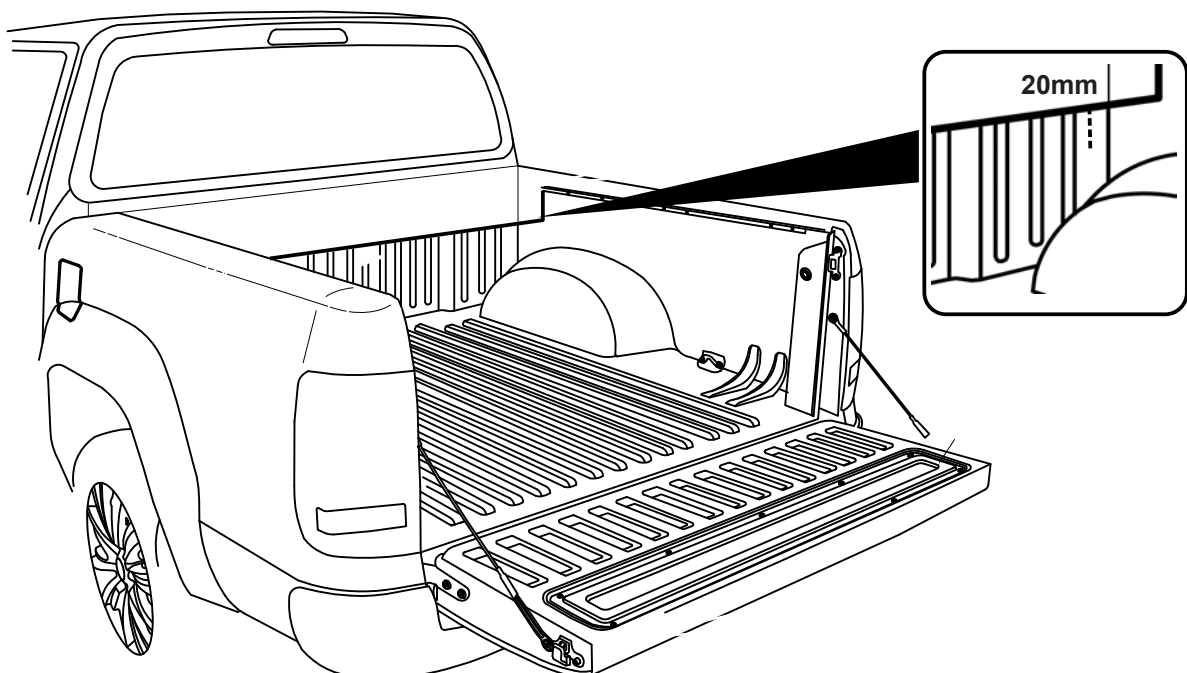
– Step 2

Trim front of bed liner by 180mm from the top of the ute bed as shown.



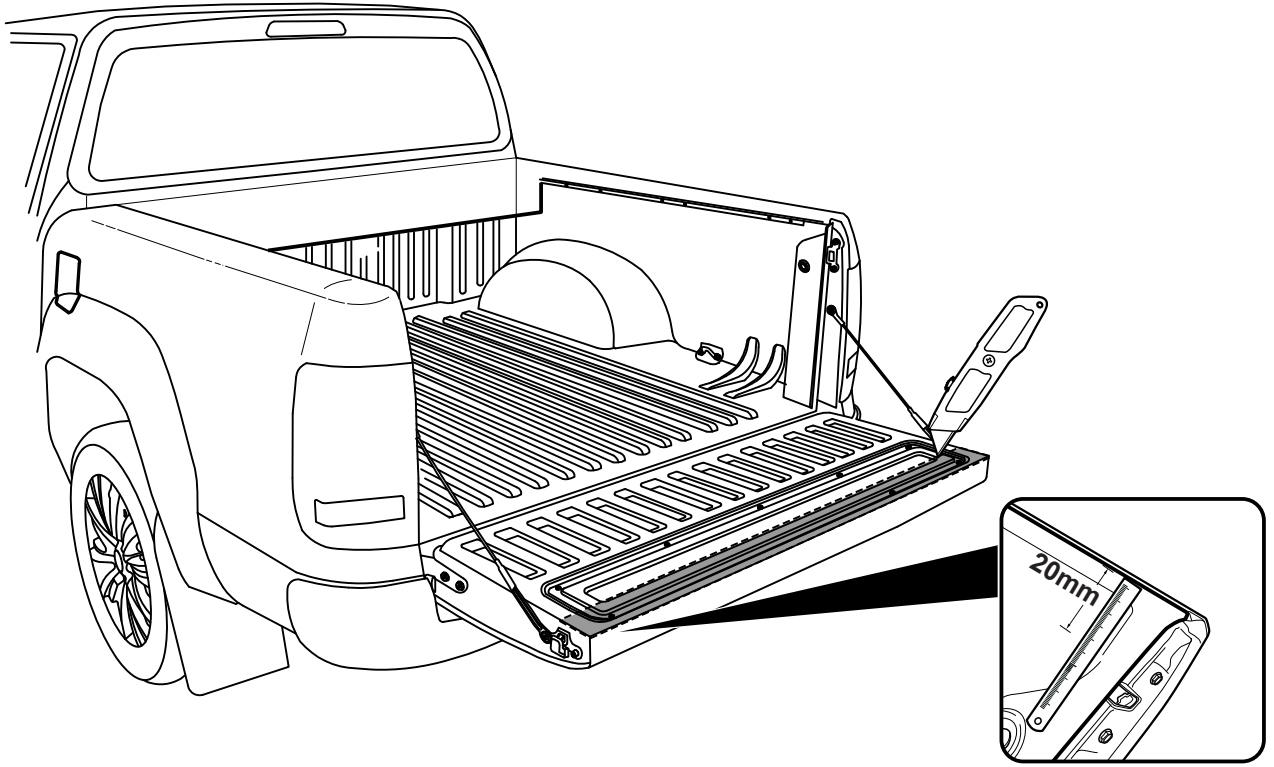
– Step 3

Cut a 20mm split for bed liner to flex.



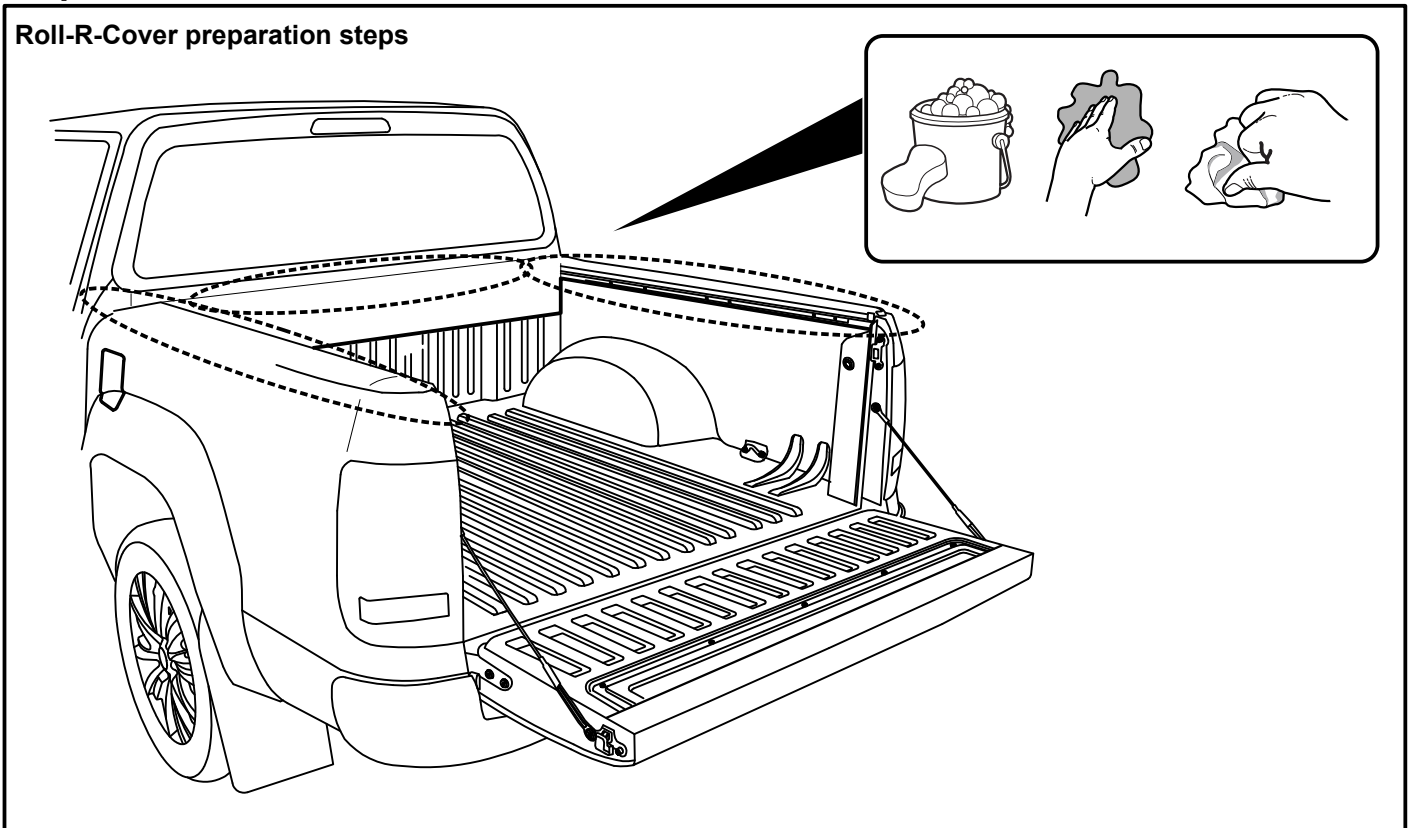
– Step 4

Measure 20mm down from top of tailgate and trim tailgate liner.



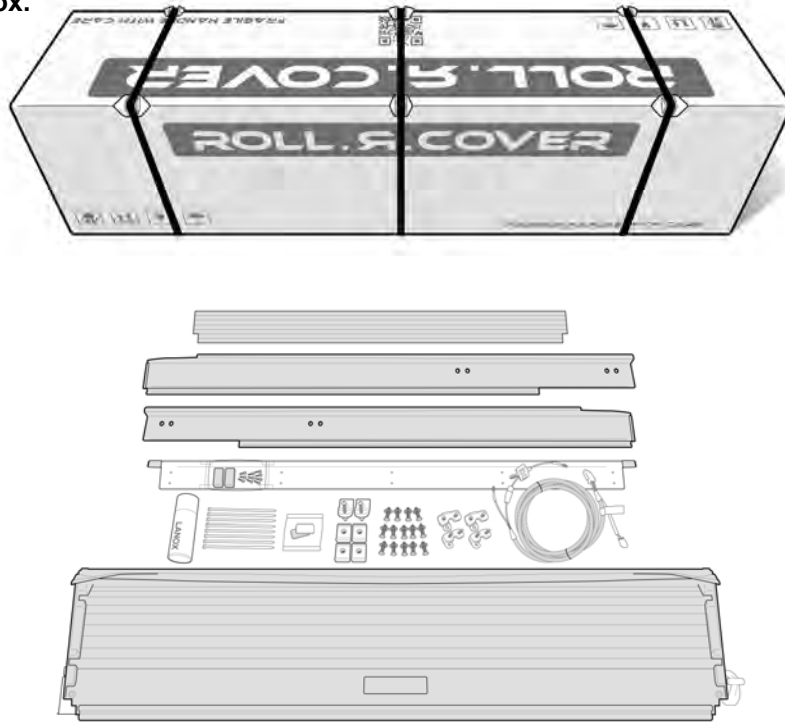
– Step 5

Roll-R-Cover preparation steps



— Step 6 —

Carefully unpack the box.

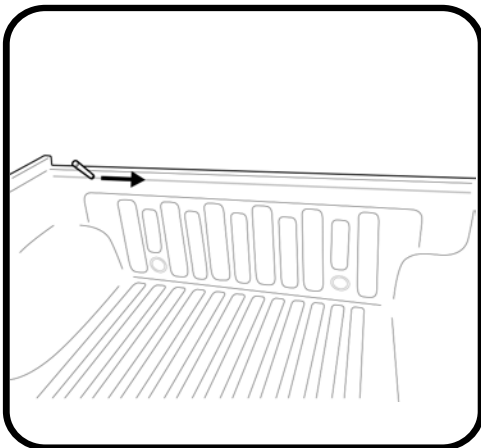


Place your front bar assembly, center and screw in as shown

— Step 7 —

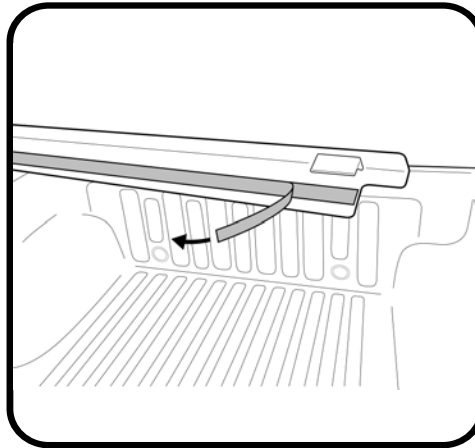
Front bar assembly installation

A



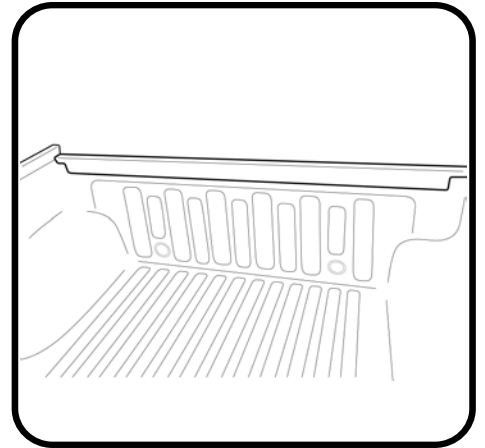
Clean and apply 3M primer stick on front face of tub top edge.

B



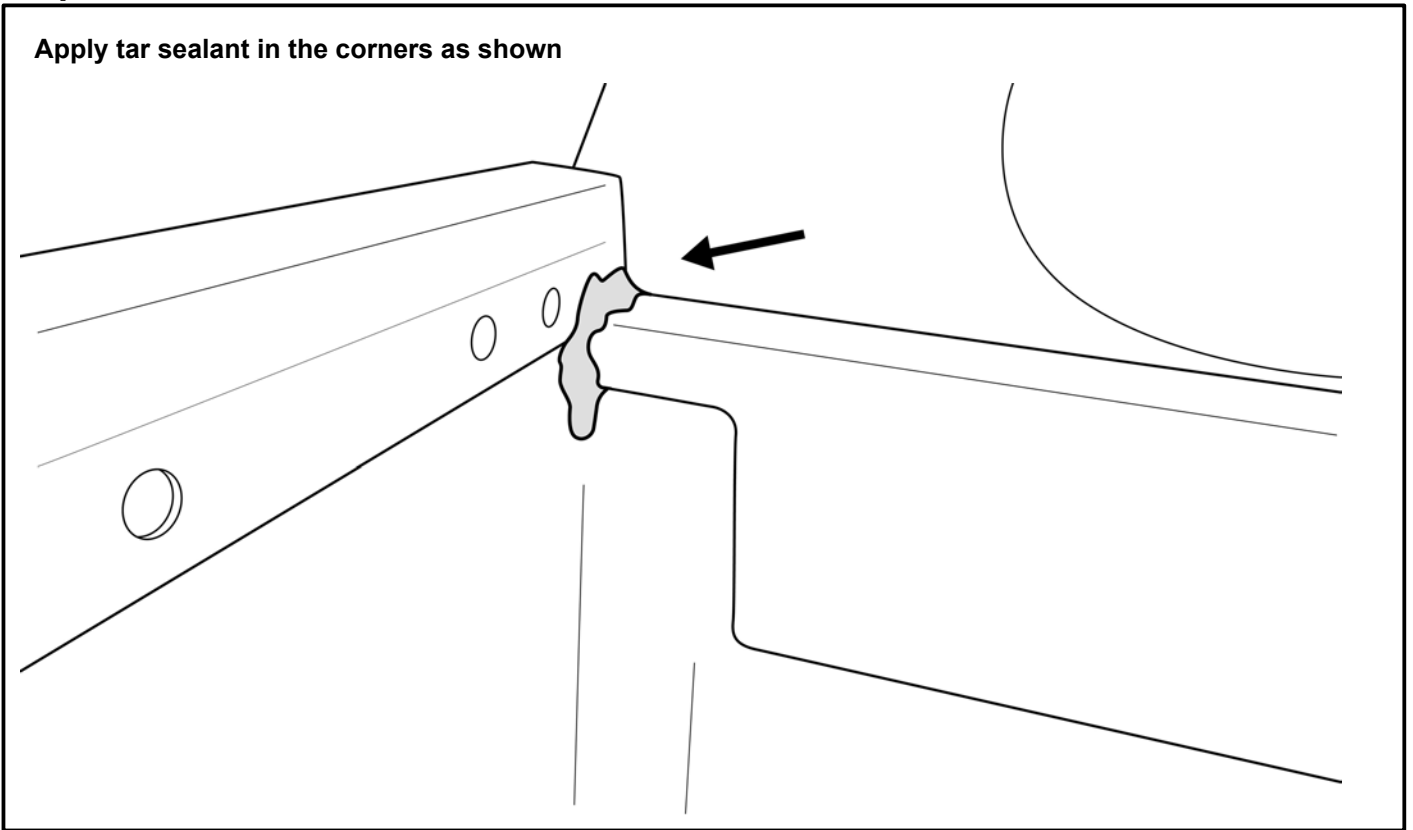
Peel double sided tape backing slightly

C

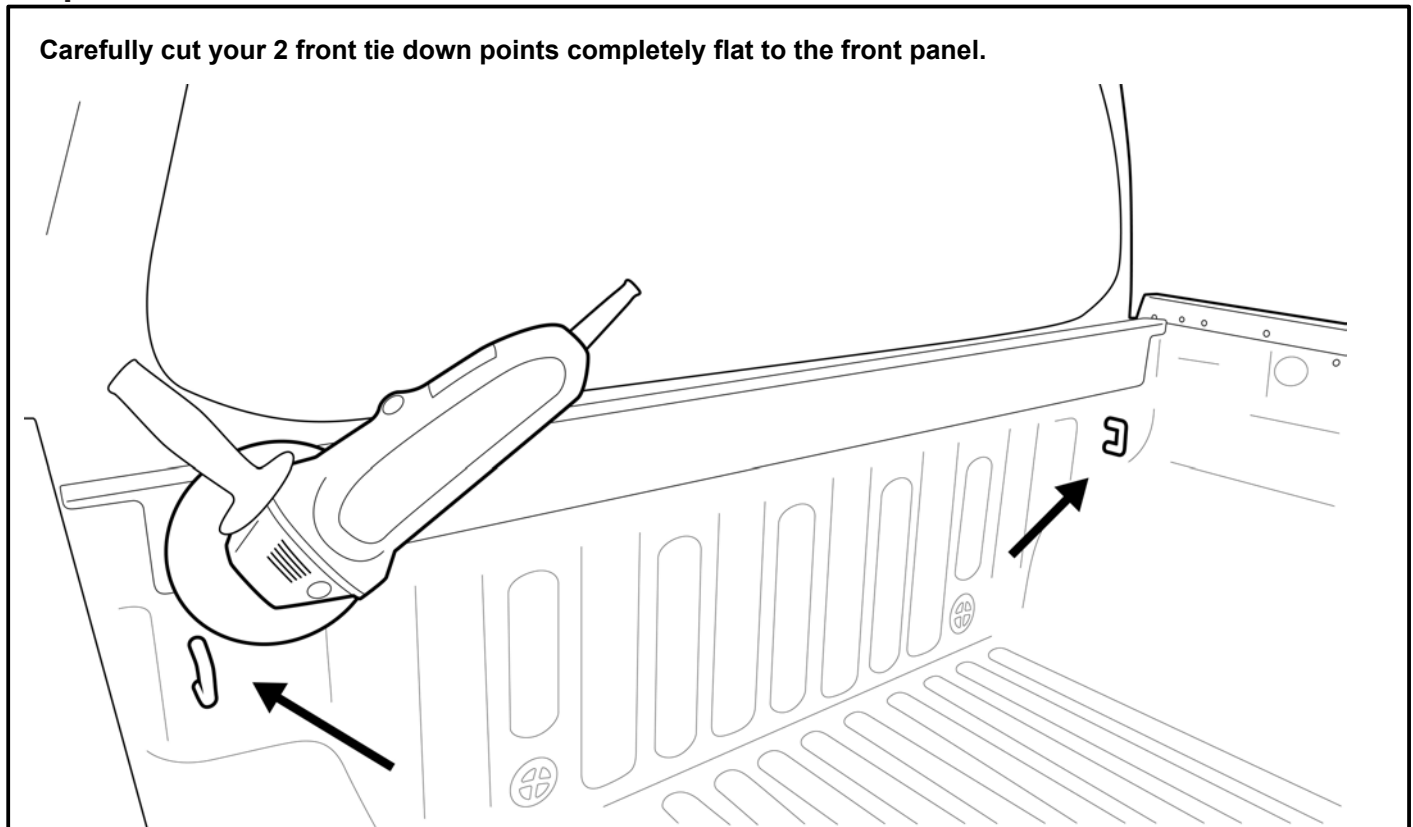


Place front bar assembly to the front of the tub, once in correct position, peel the rest of the double sided backing off and secure by applying pressure.

— Step 8 —



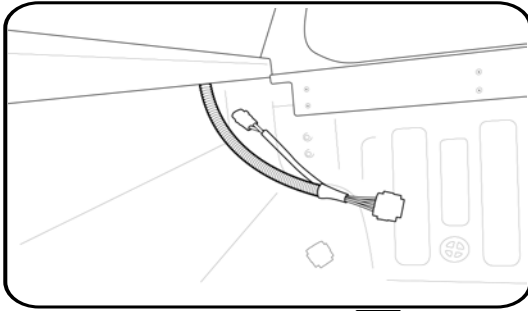
— Step 9 —



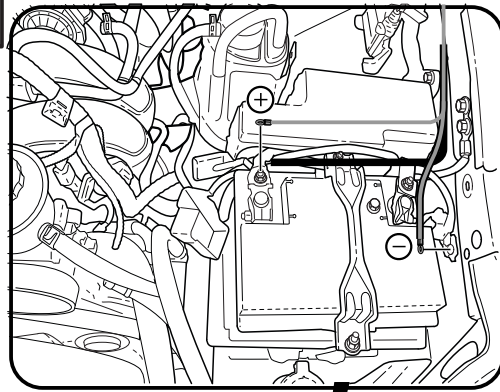
- Step 10

Wiring Harness steps

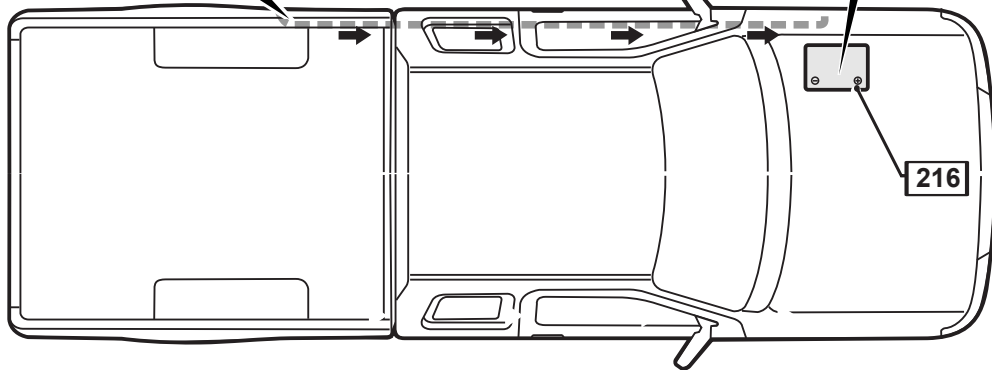
1 Feed through the cavity



3



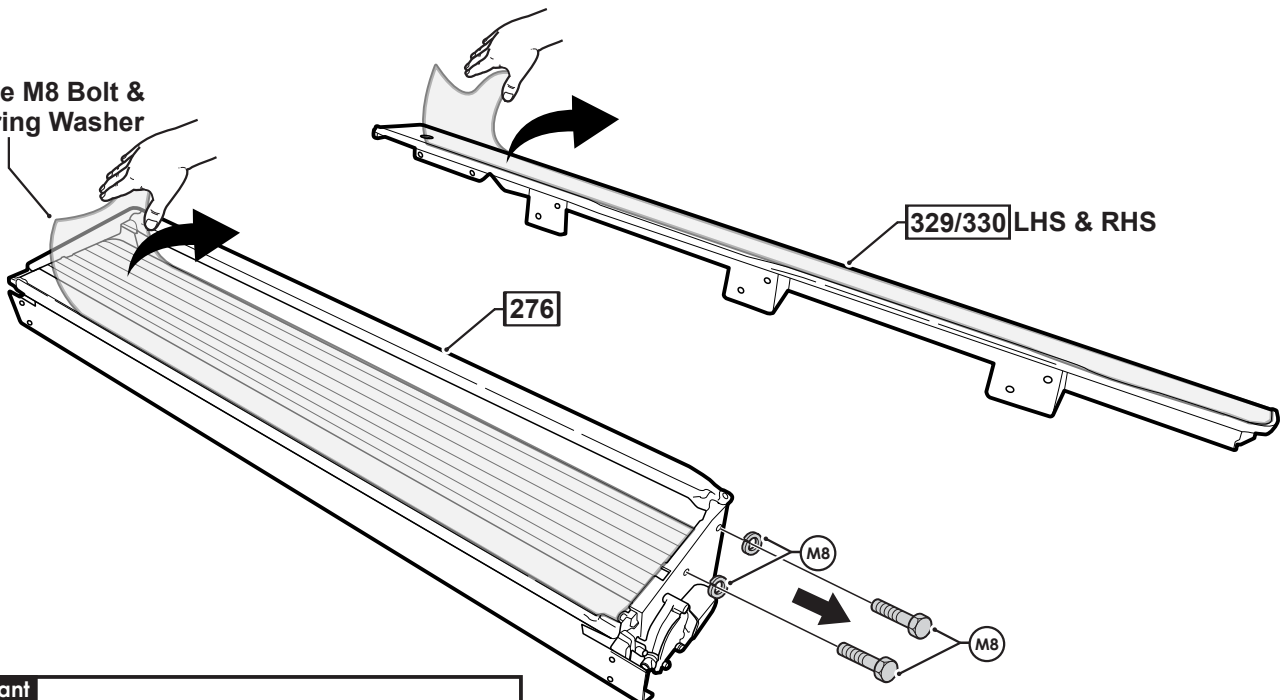
2



Run the wiring from the front corner cavity to the battery over the chassis rail. Making sure to keep away from hot obstructions and cable tie every 400mm.

- Step 11

Remove M8 Bolt & M8 Spring Washer

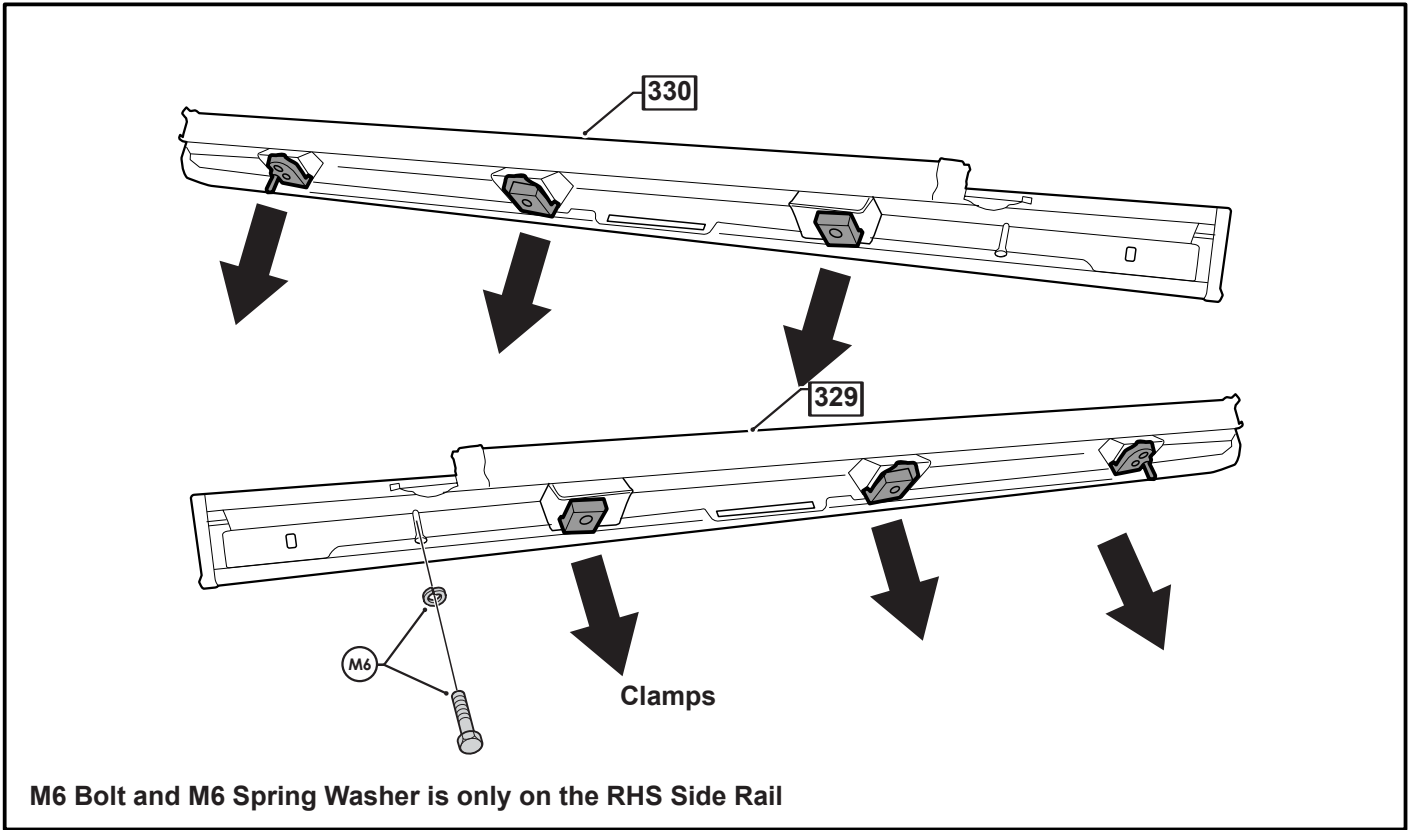


Important

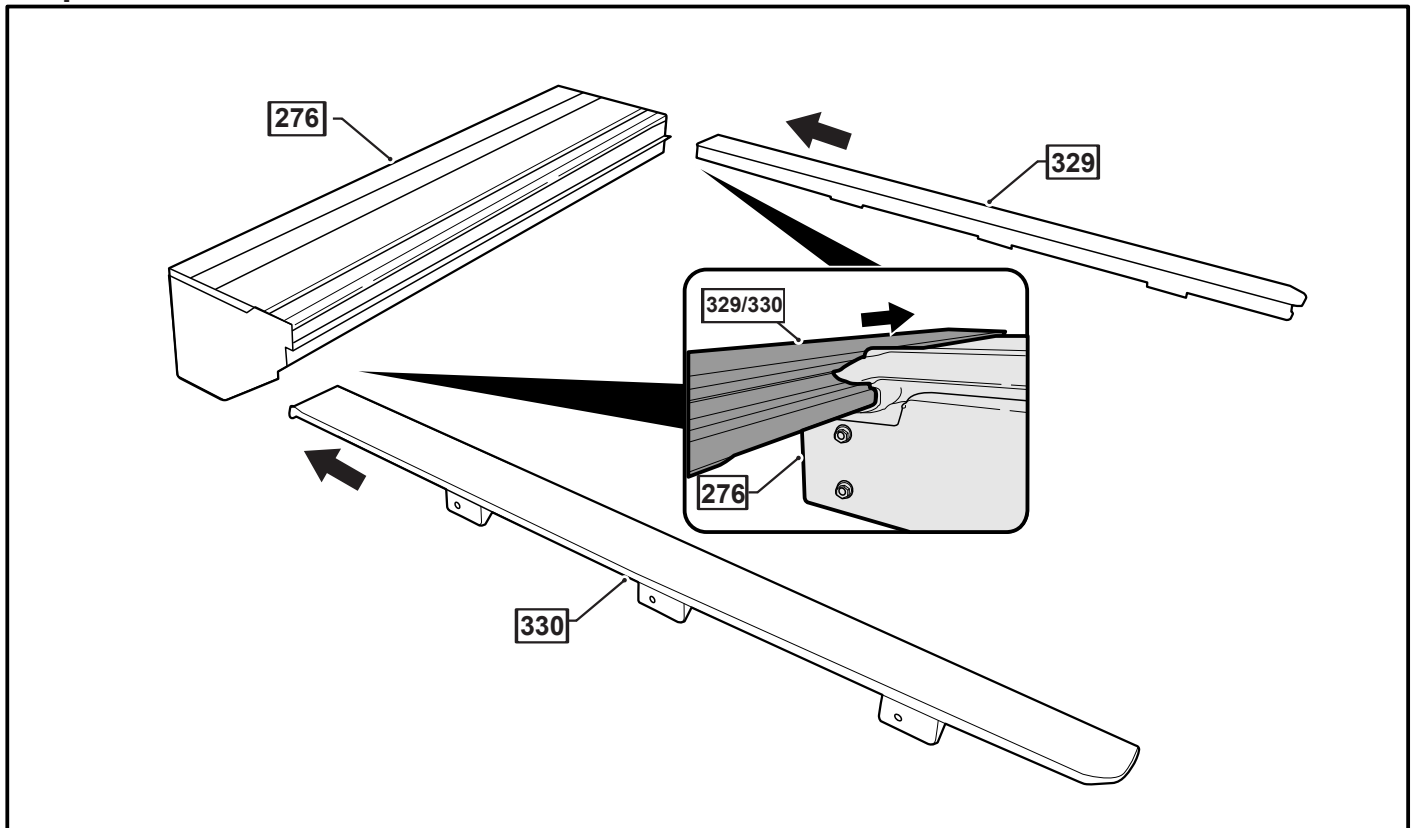


Ensure the black tar is not removed with the film.

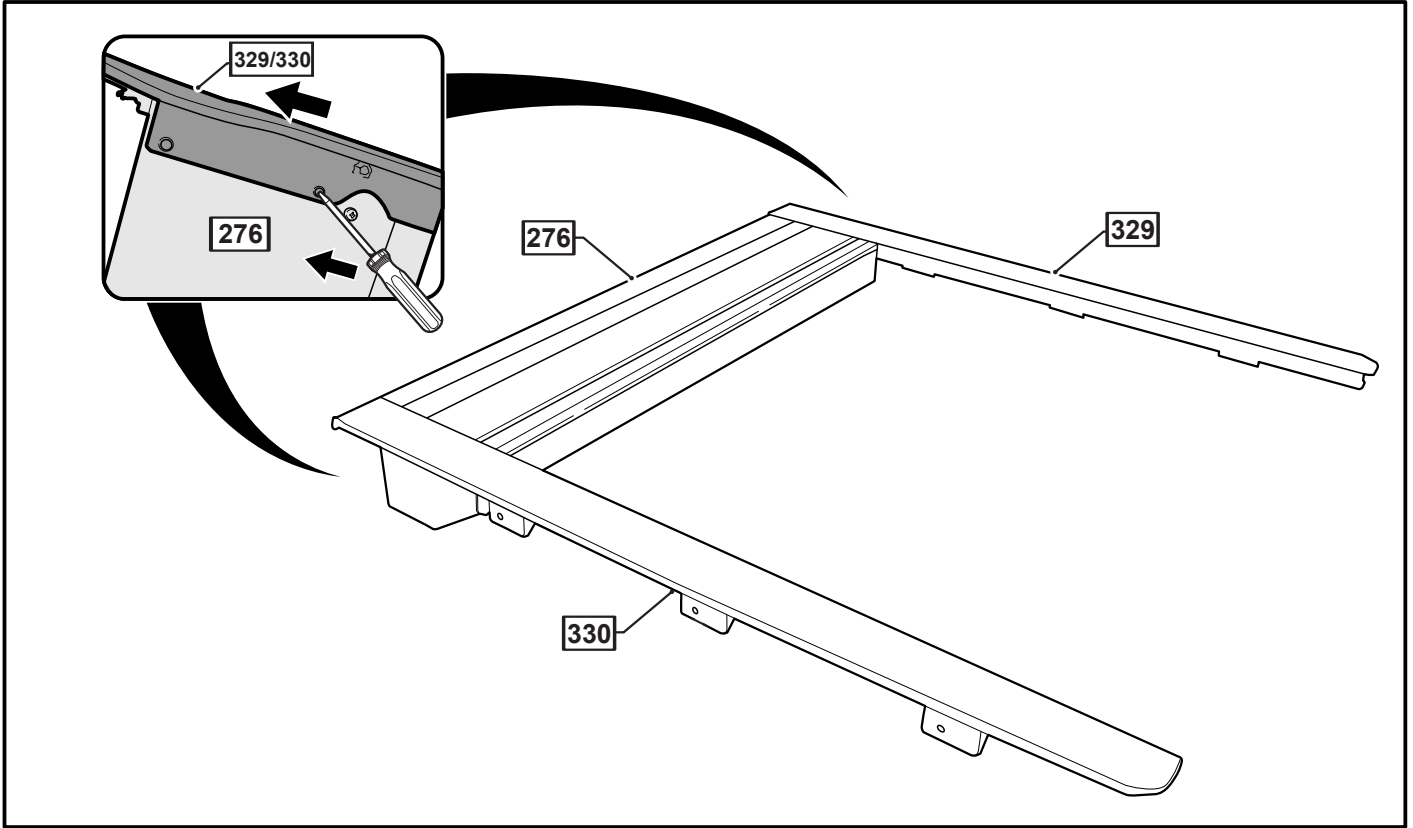
— Step 12 —



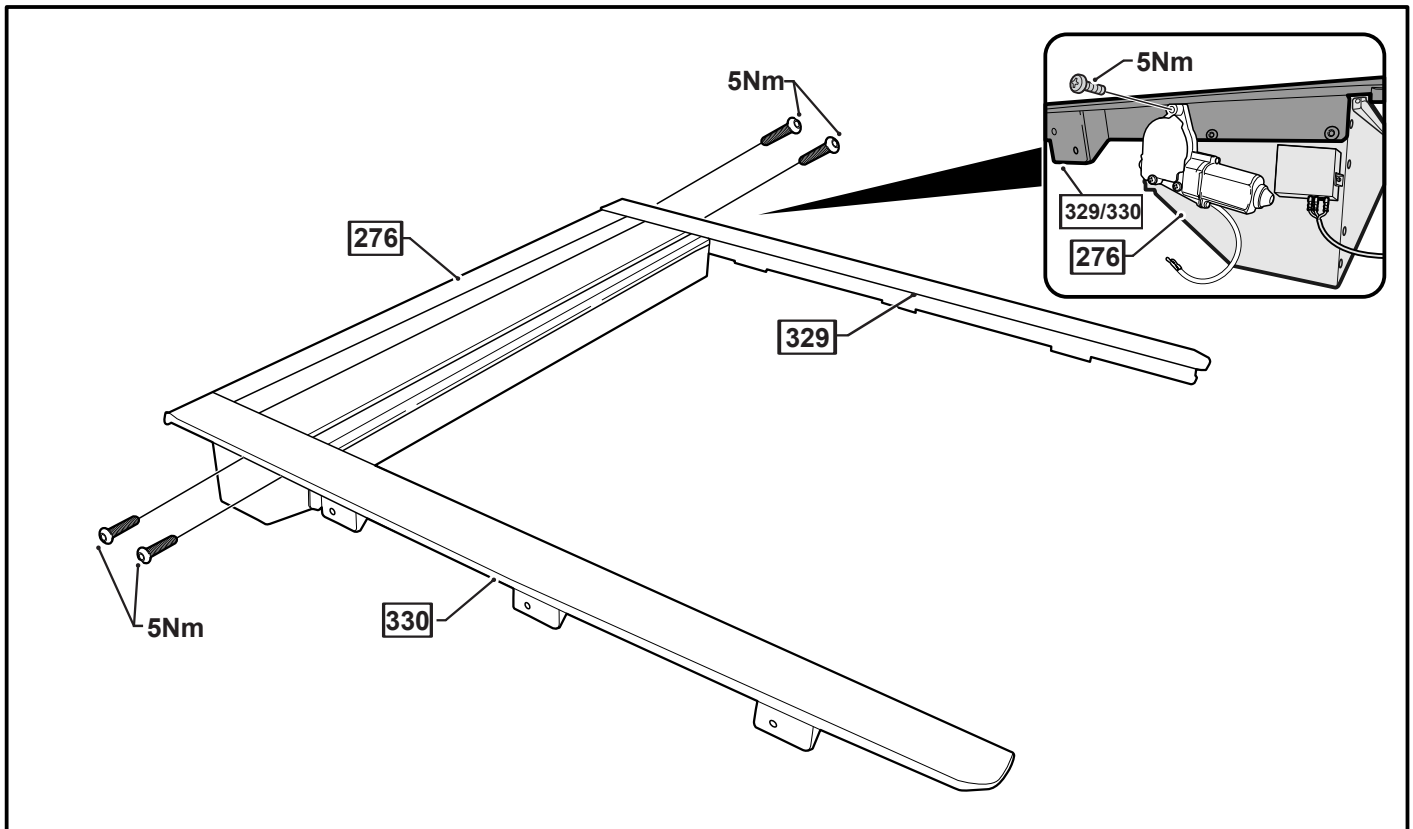
— Step 13 —



– Step 14

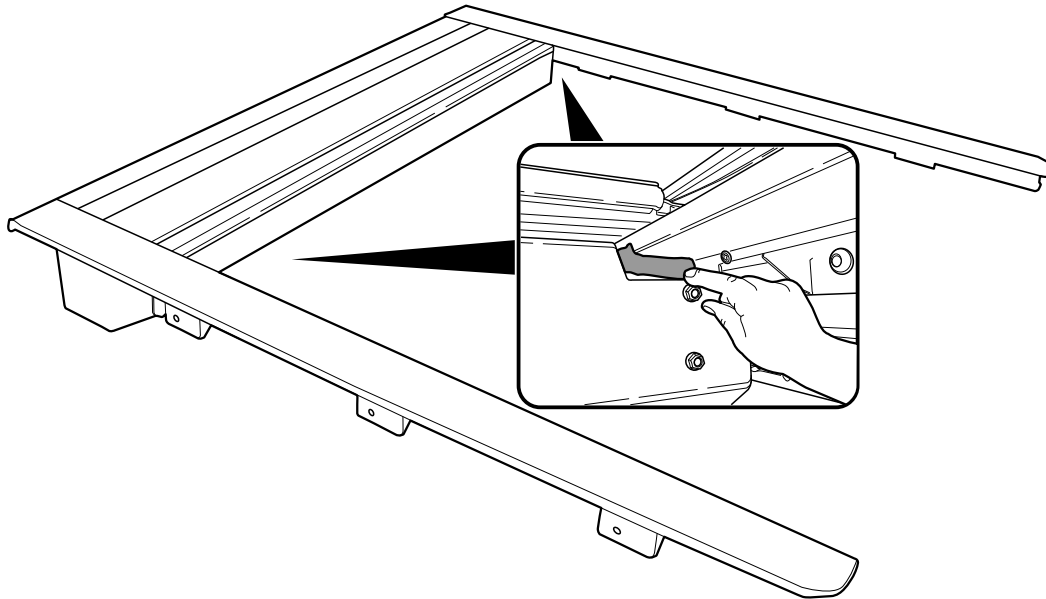


– Step 15



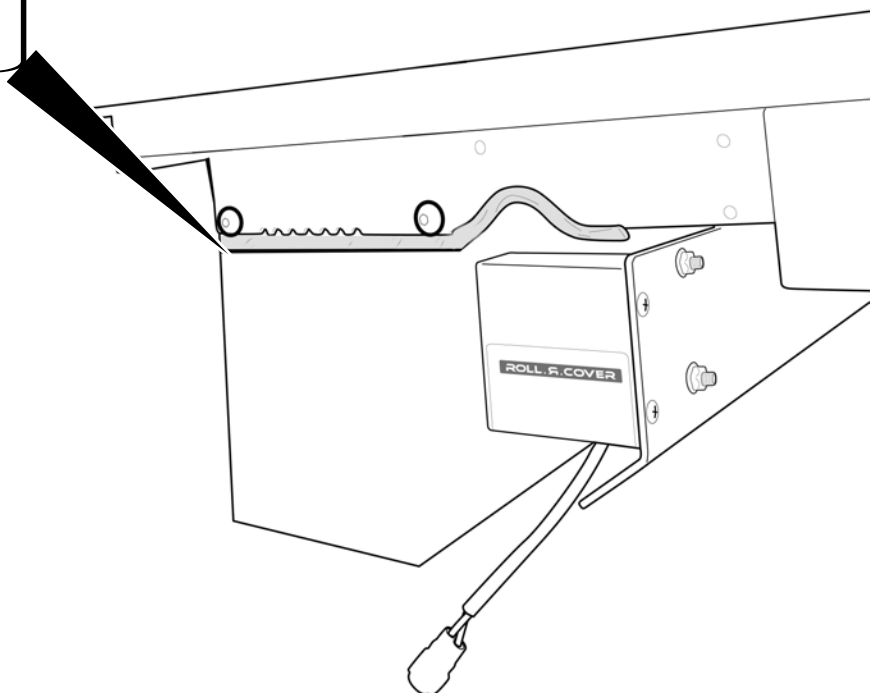
– Step 16

Apply tar sealant to the gap under water channel.



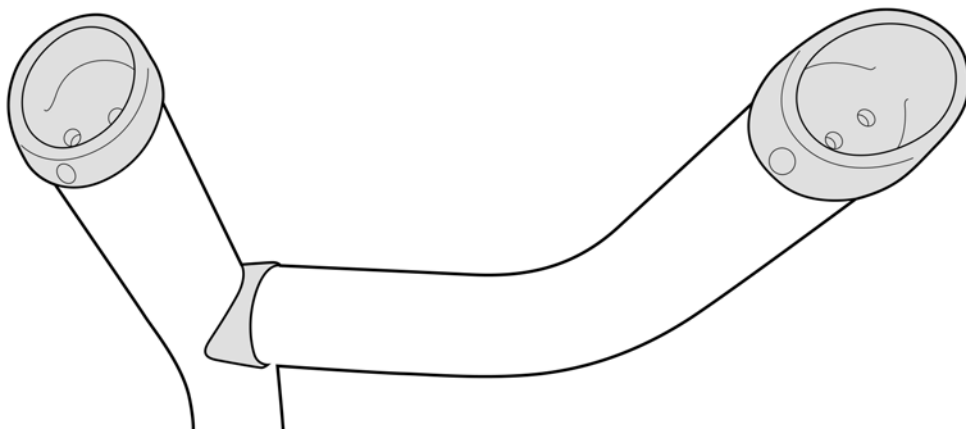
– Step 17

Apply tar sealant to both sides of the canister as shown (where accessible).



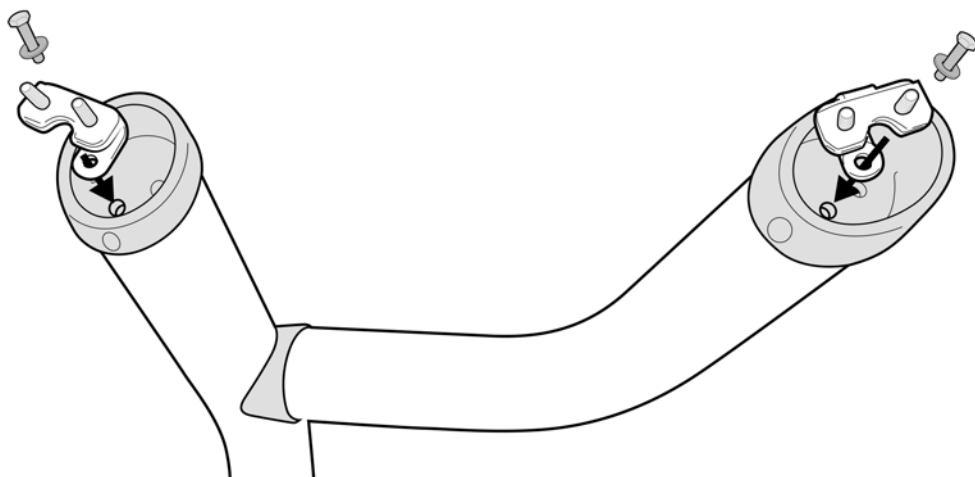
– **Step 18**

Remove factory brackets from sports bar.



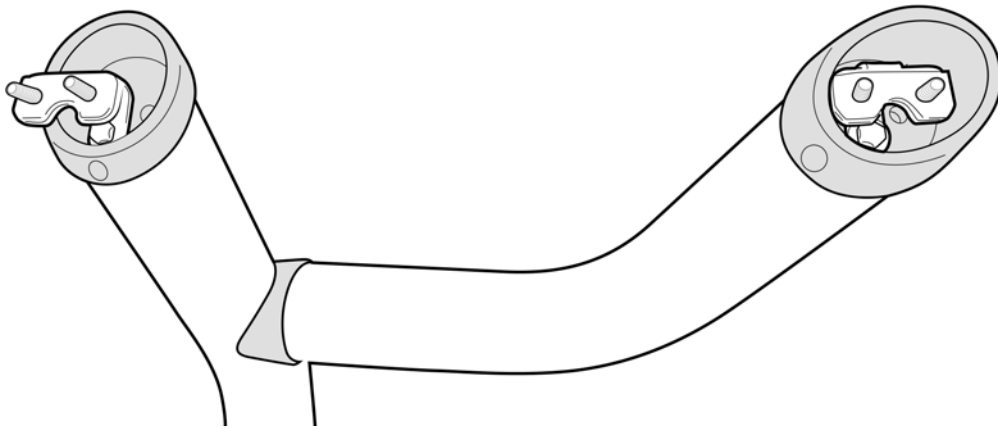
– **Step 19**

Install Roll R Cover mounting kit using bolt, spring washer and washer provided(using only the front mounting points on the sports bar)



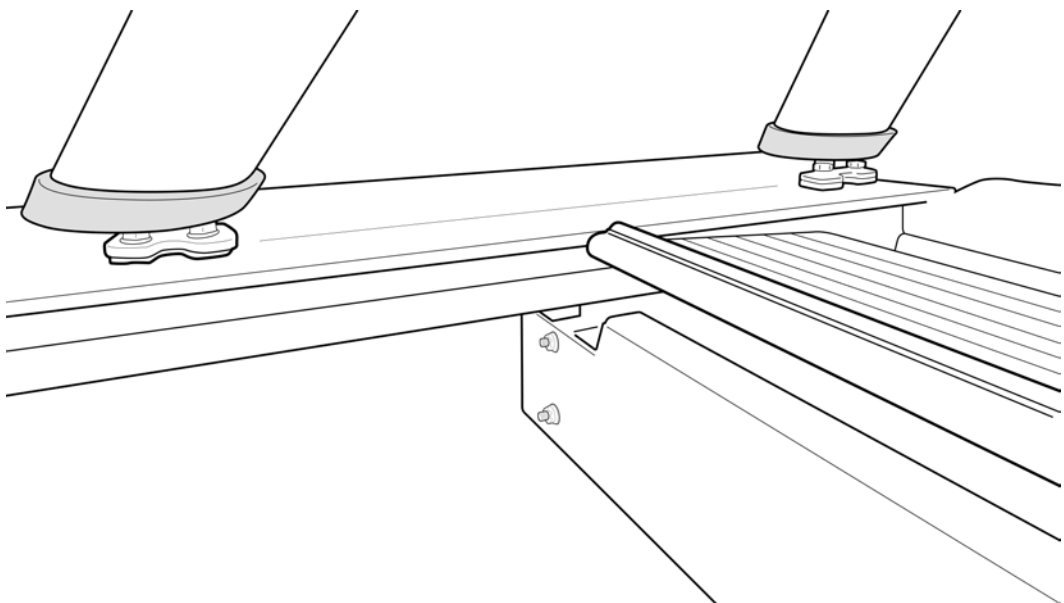
– Step 20

Repeat on all four legs.



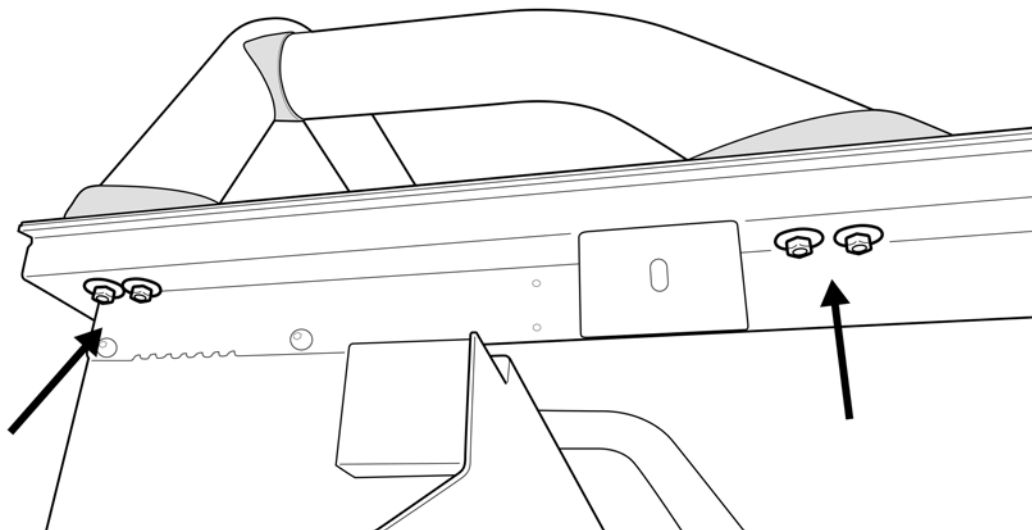
– Step 21

Carefully sit the sports bars on the Roll R Cover as shown.

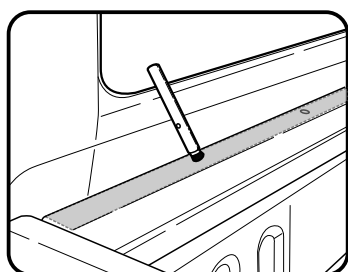


– Step 22

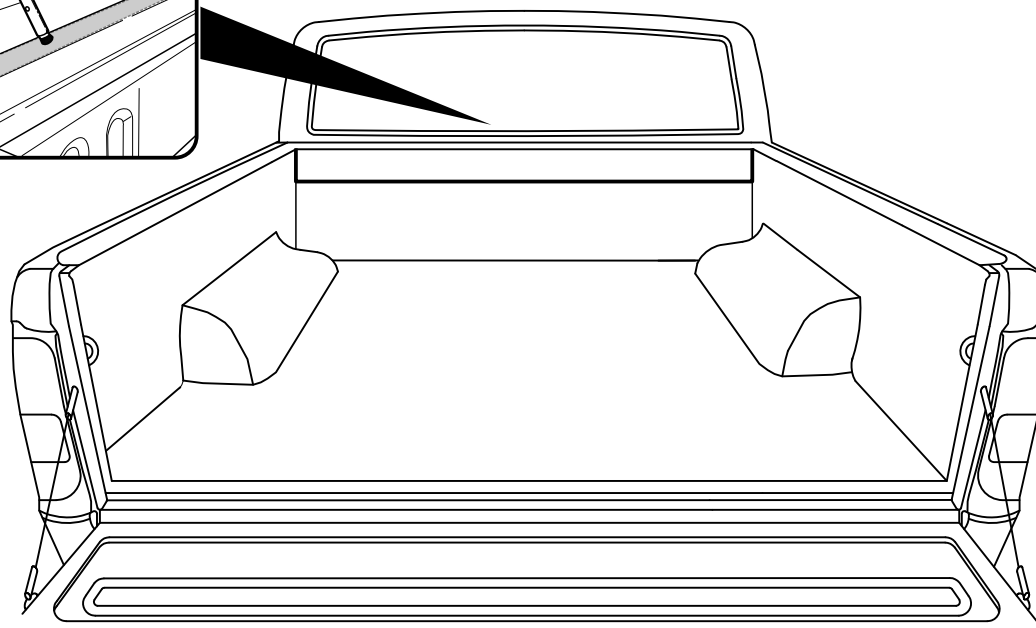
Feed the bolts through the bracket and then fasten the bolts with the washer and nyloc nut provided



– Step 23

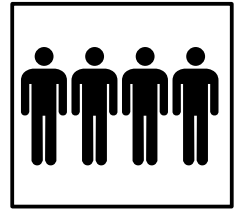
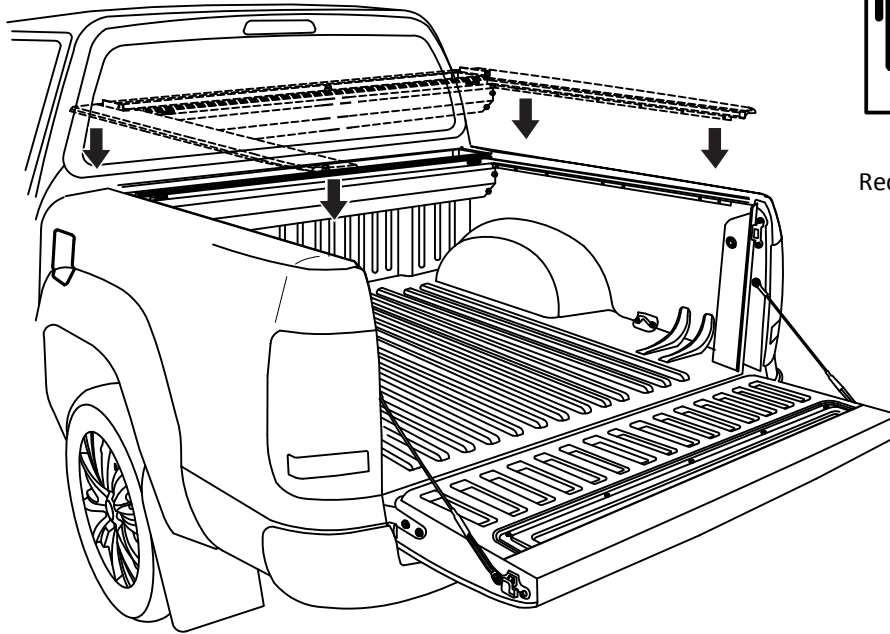


Apply 3mm primer



— Step 24 —

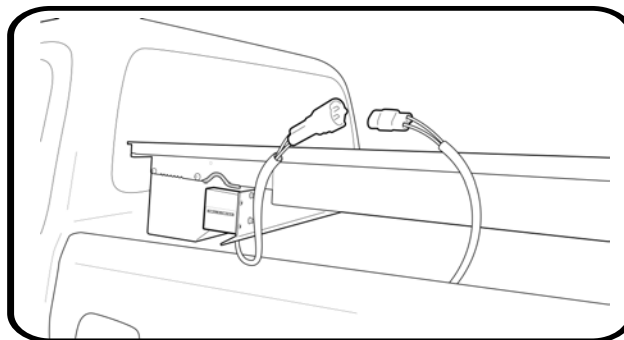
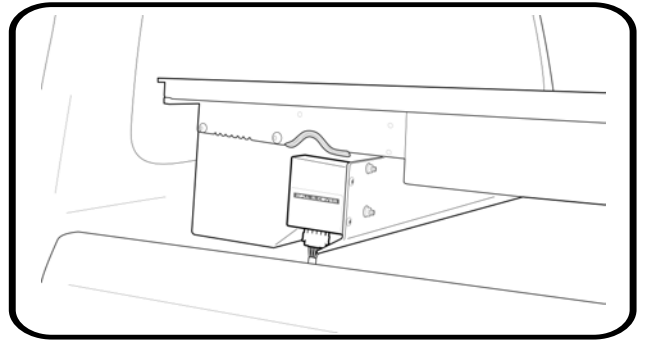
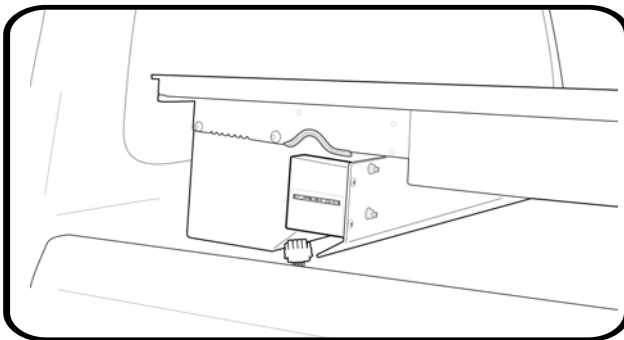
Installing the Roll-R-Cover



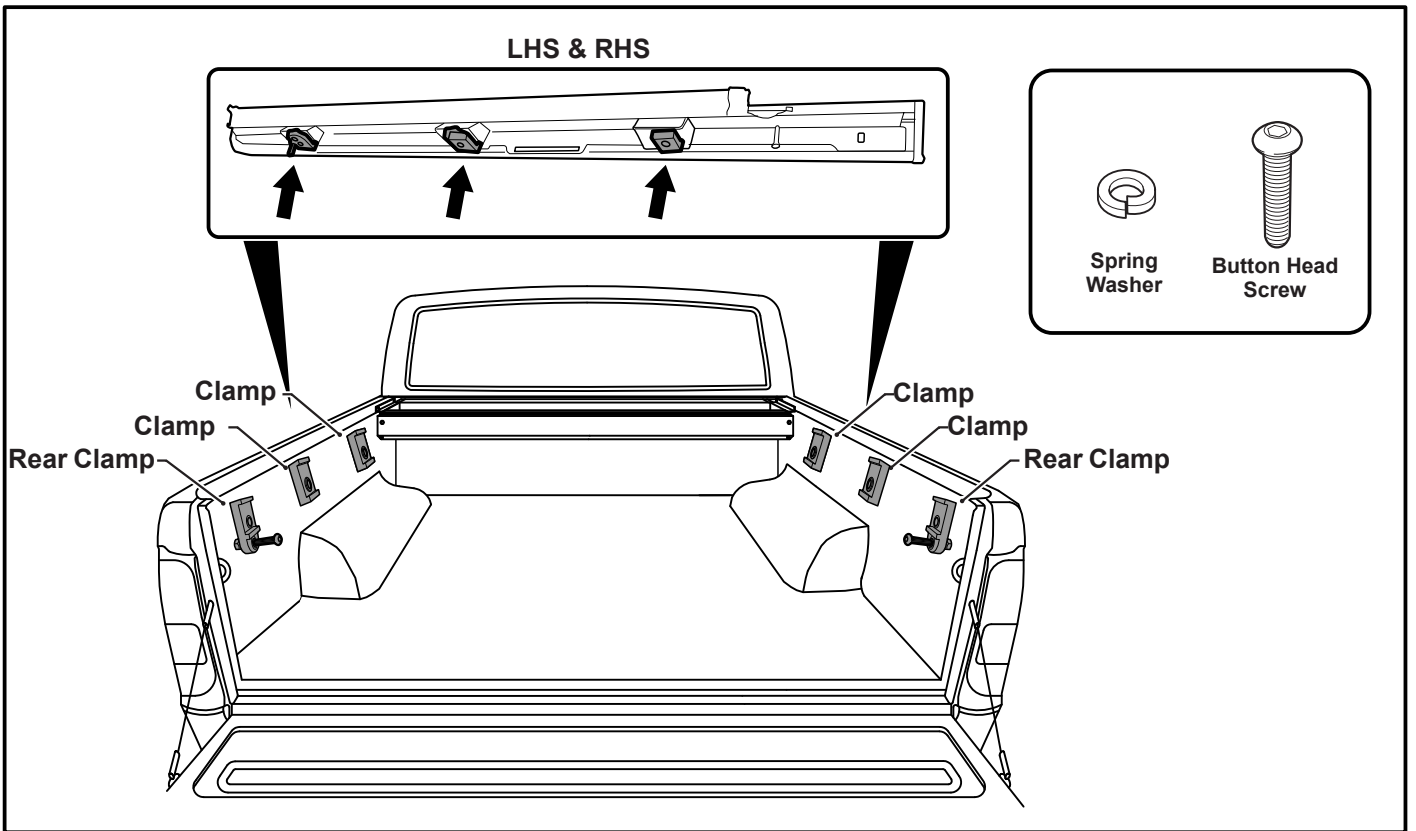
4 People
Recommended for lift

— Step 25 —

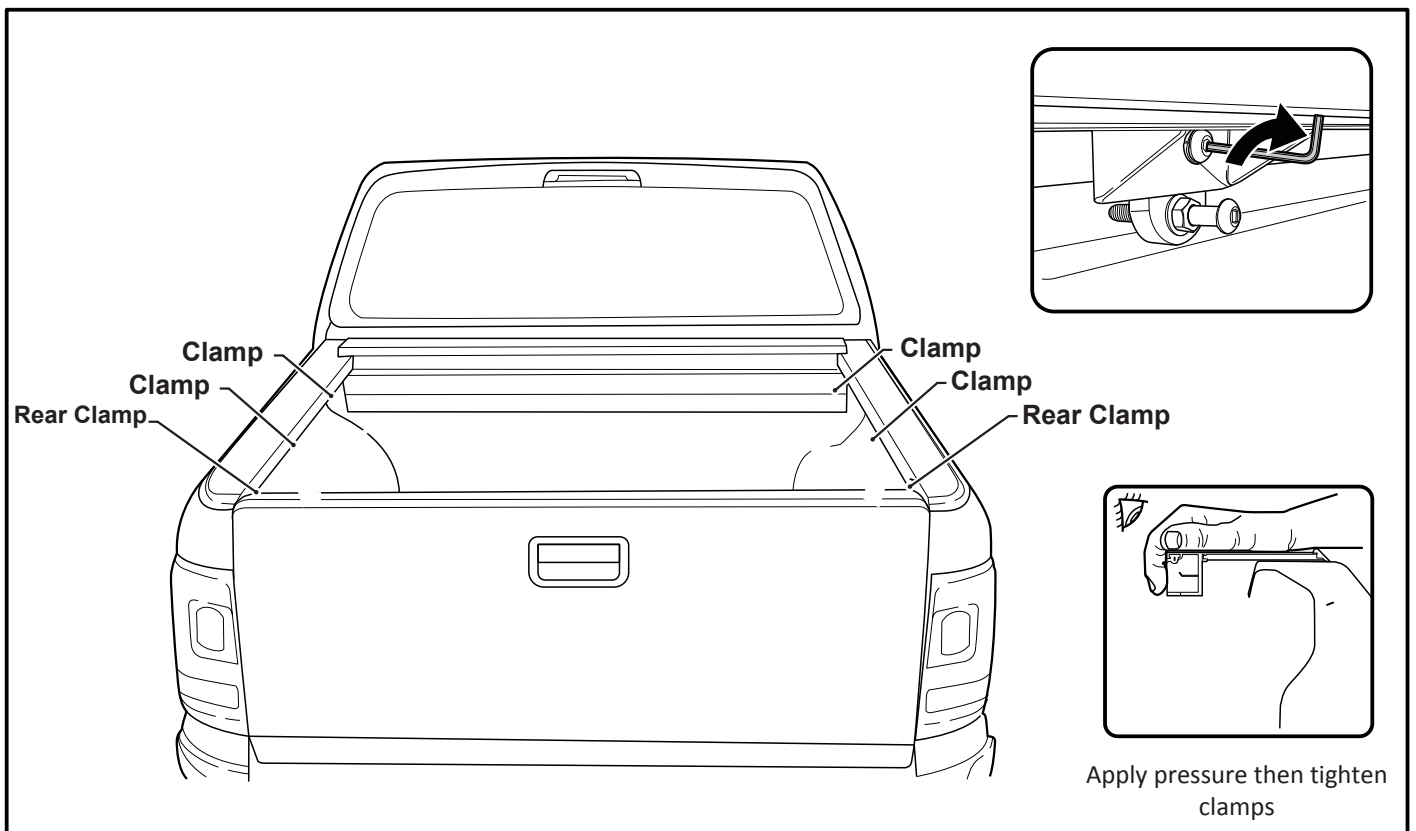
Before dropping the Roll R cover into place on the tub, connect all relevant connections or plugs to the receiver and motor plug connection.



– Step 26

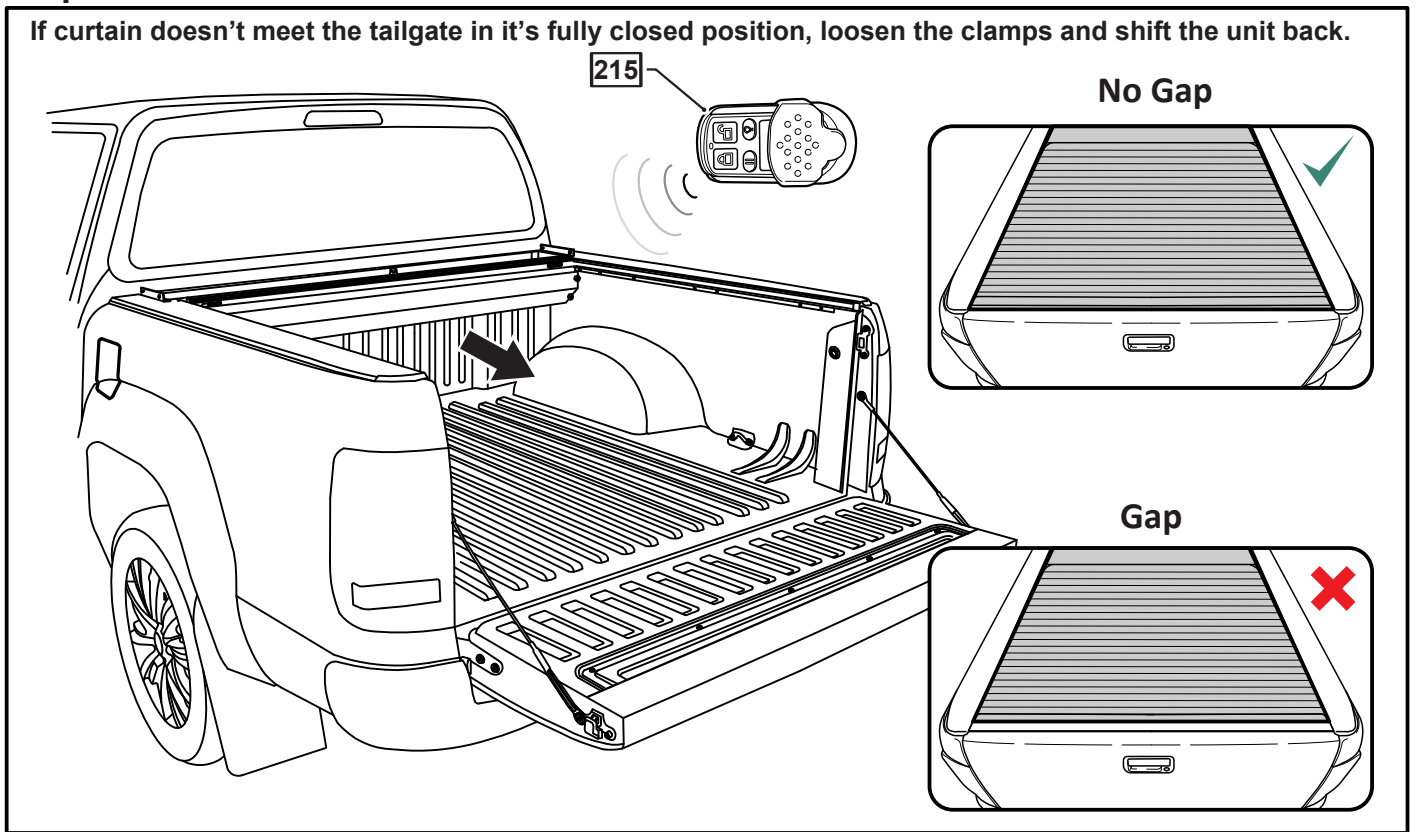


– Step 27

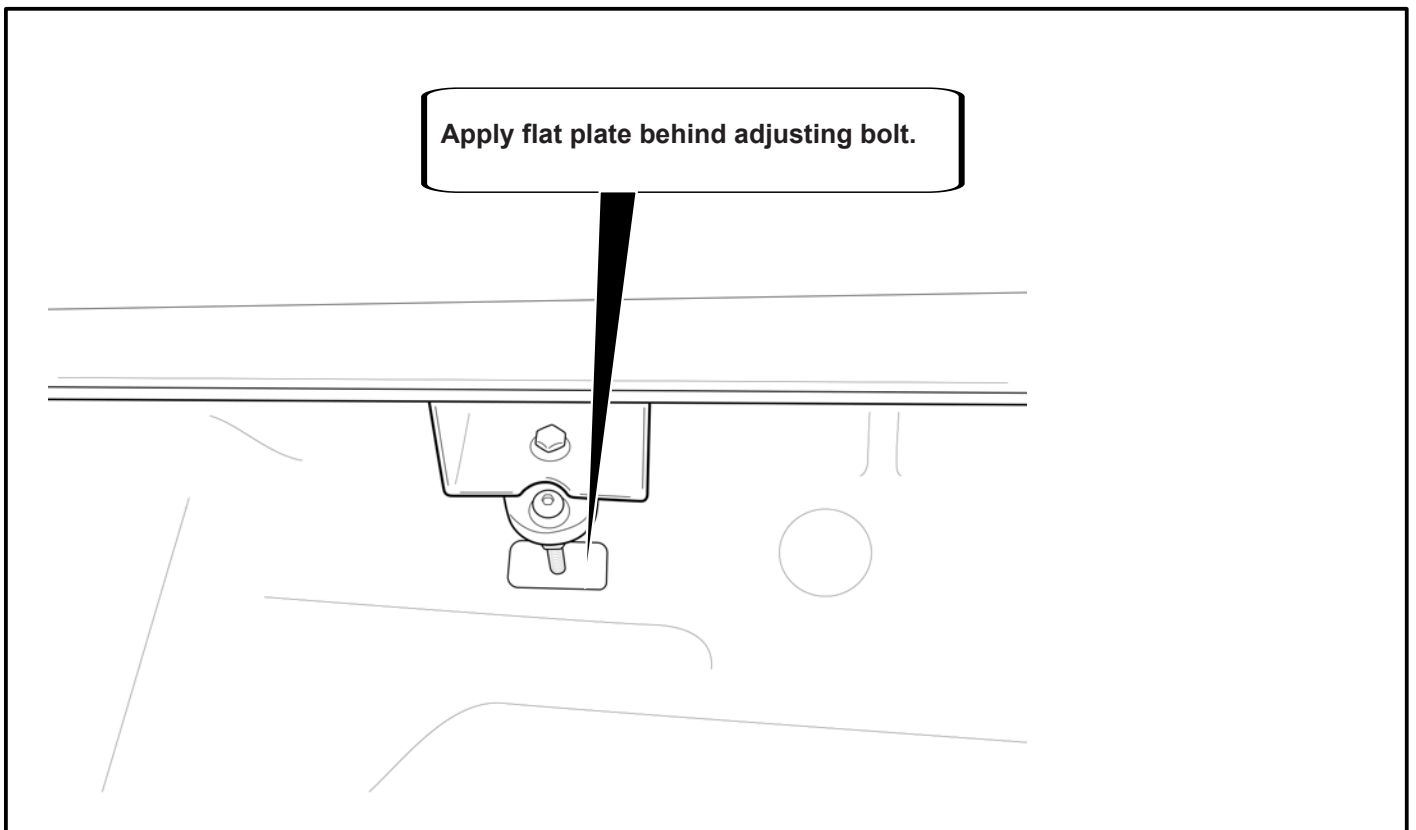


— Step 28 —

If curtain doesn't meet the tailgate in it's fully closed position, loosen the clamps and shift the unit back.

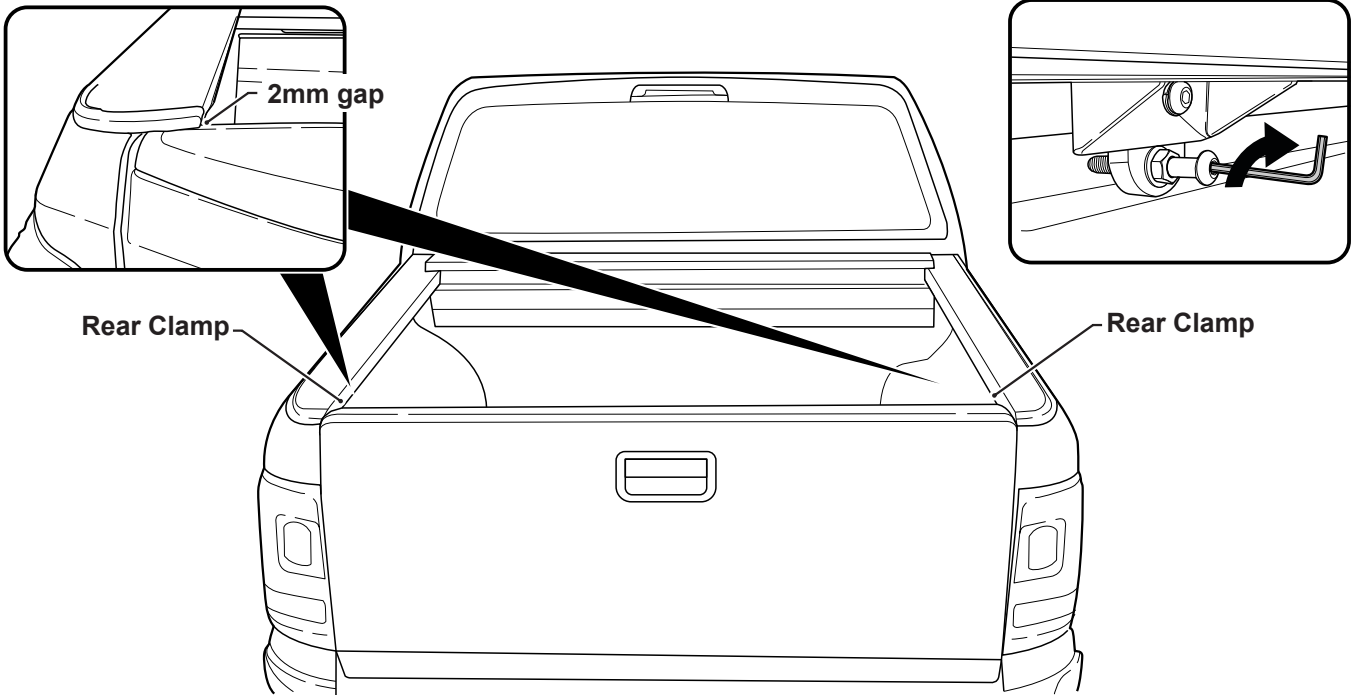


— Step 29 —



– Step 30

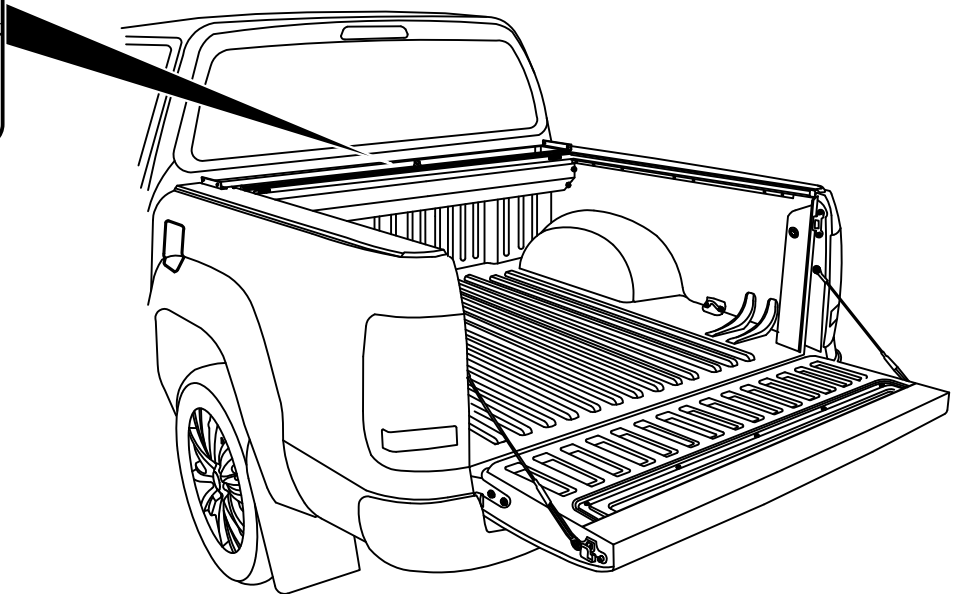
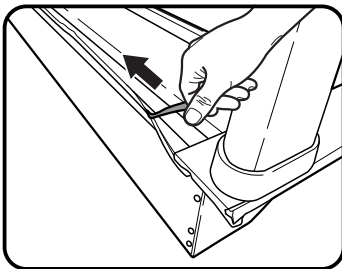
Side rail rubber must have a 2mm gap from the top of the tailgate in the closed position.



Rear clamp has an adjustment bolt. Drive the bolt in to lift the rear of the side rail till it clears the tailgate.

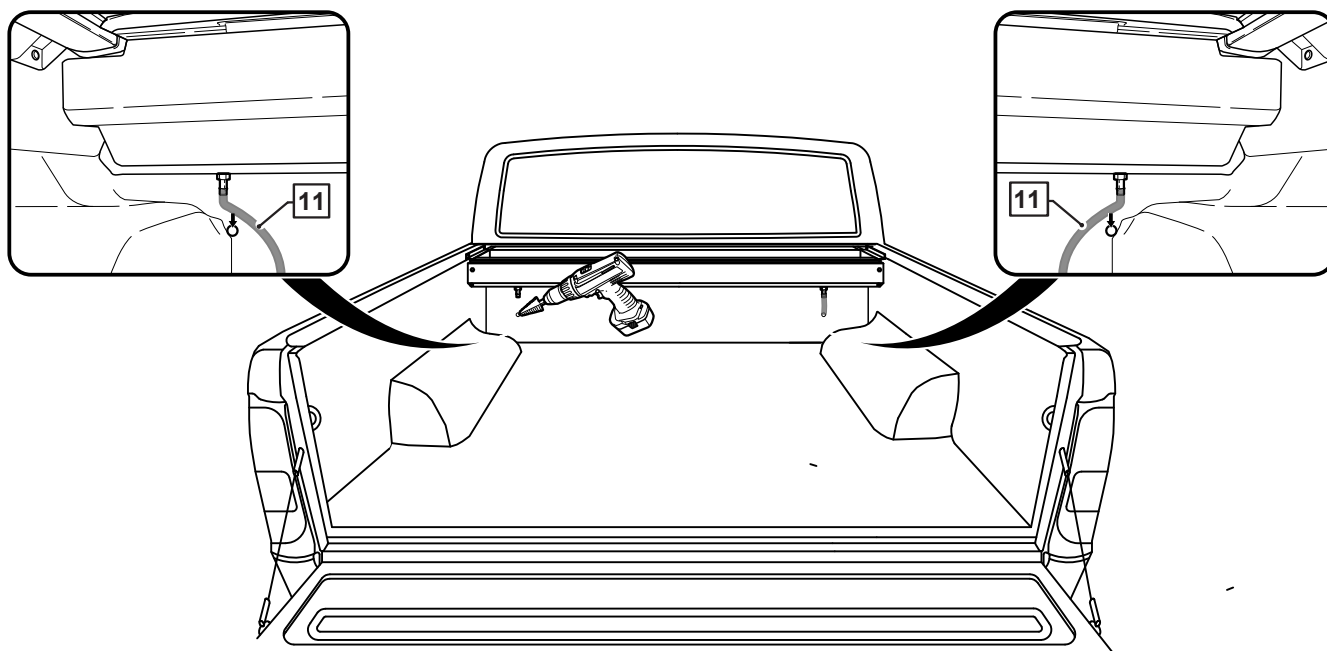
– Step 31

Peel double sided tape backing off and stick to vehicle.



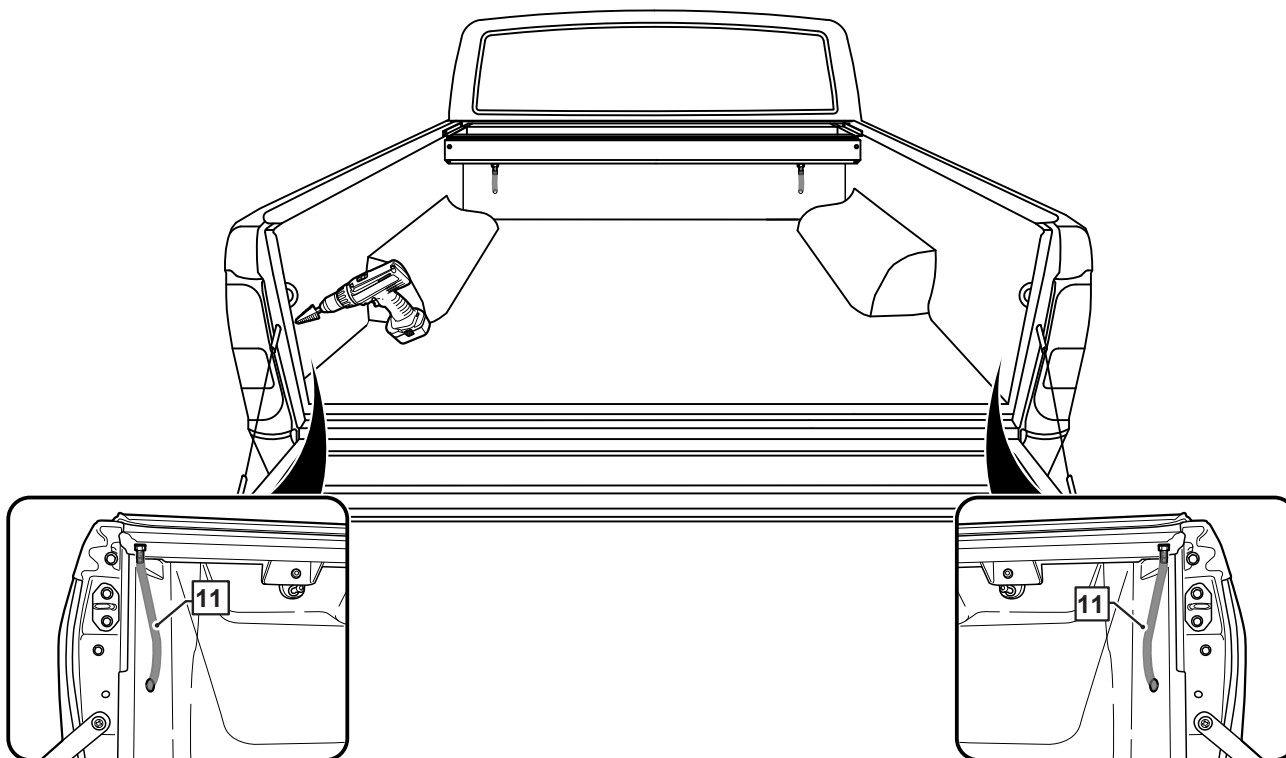
– Step 32

Drill through bed and liner (check for obstructions).



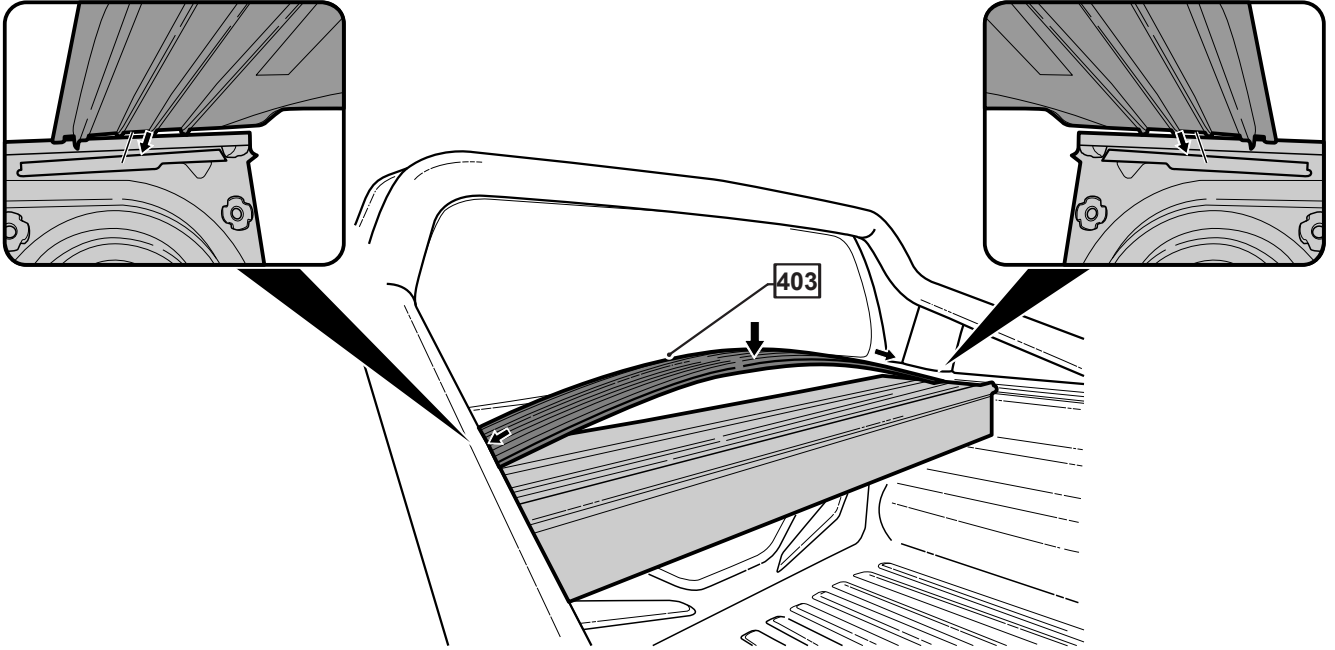
– Step 33

Remove the tail light to check for obstructions before drilling



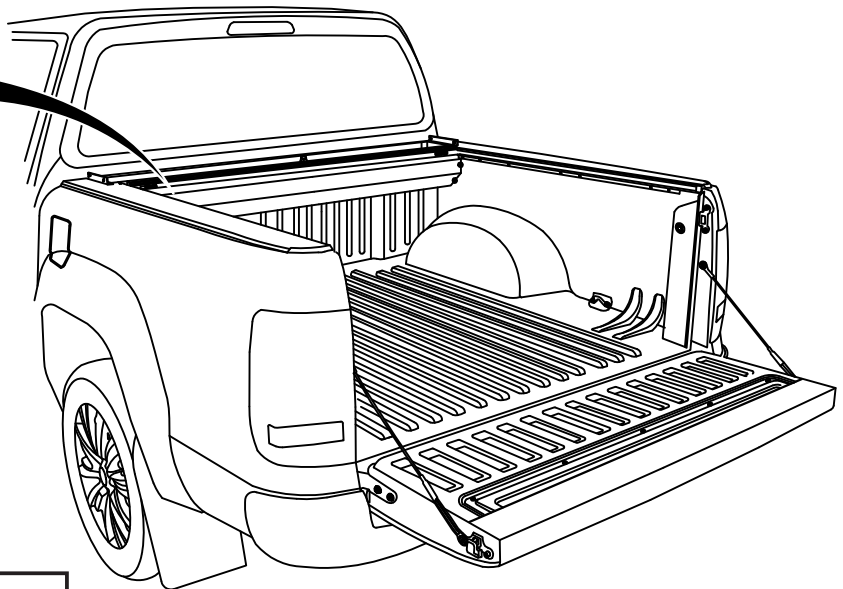
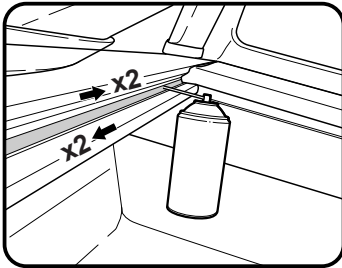
— Step 34 —

Snap fit the top cover.



— Step 35 —

LHS & RHS

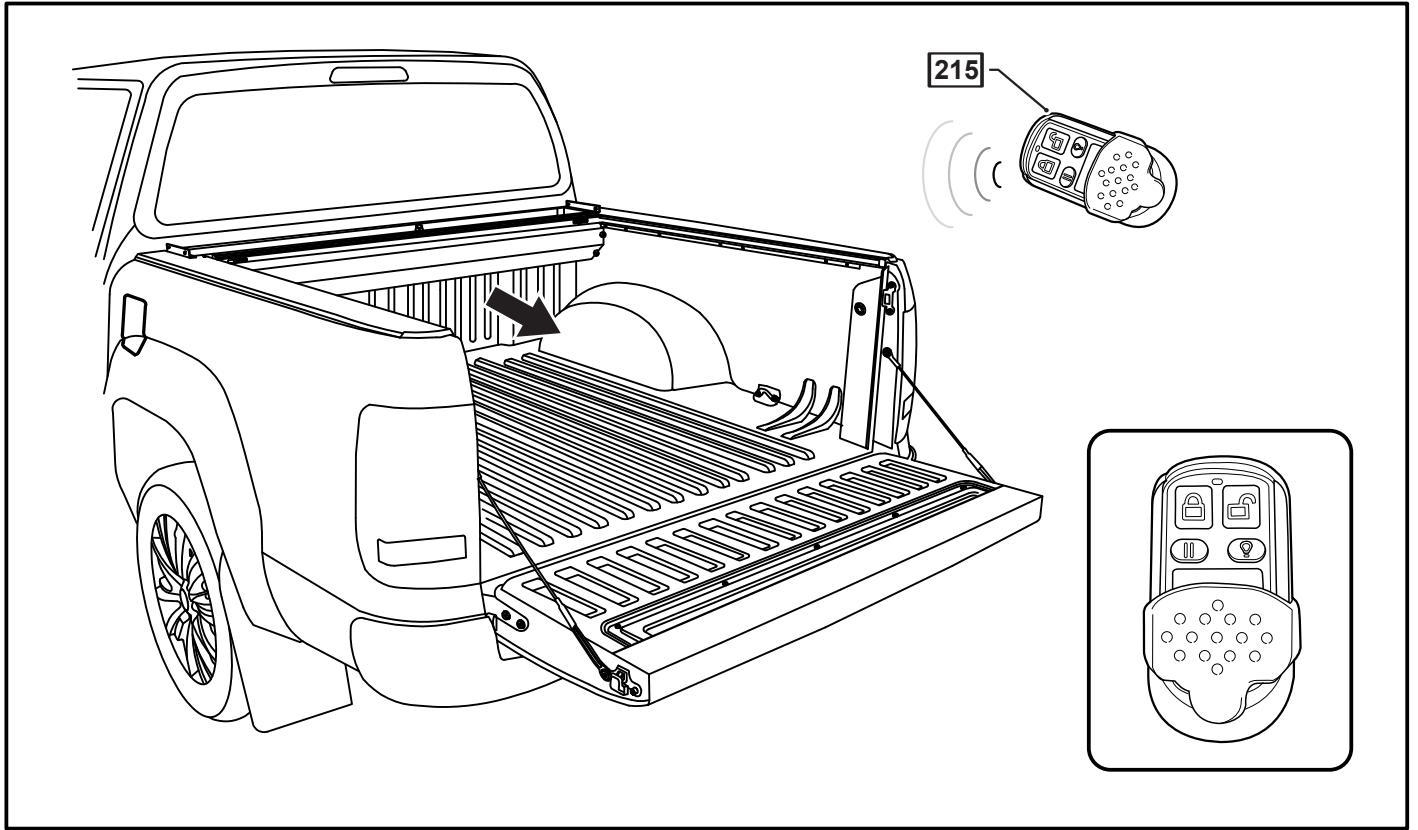


Important



Tracks need to be lubricated regularly

– Step 36



Important



You may open tailgate when Roll R Cover is in closed position, however you **MUST NOT** close the tailgate when Roll R Cover curtain is in the fully closed position.

WARNINGS!				www.hsputelids.com			
 NO STANDING	 ENSURE LOAD IS SECURE	 CHECK GLIDES OIL REGULARLY	 6Nm CHECK CLAMPS AND TIGHTEN	 kg DO NOT PLACE LOAD ON COVER	 CHECK DRAIN CLEAN CANISTER	 MECHANICAL HAZARD	 NO PEOPLE OR ANIMALS UNDER ROLL TOP

E. & O.E. This document is copyright and must not be used except as permitted below or under the Copyright Act 1968. You may reproduce and publish this document in whole or in part for your or your organisation's own personal or internal compliance, educational or non-commercial purposes. You must not alter or amend this document in any way. You must not reproduce or publish this document for commercial gain without the prior written consent of the copyright owner.