



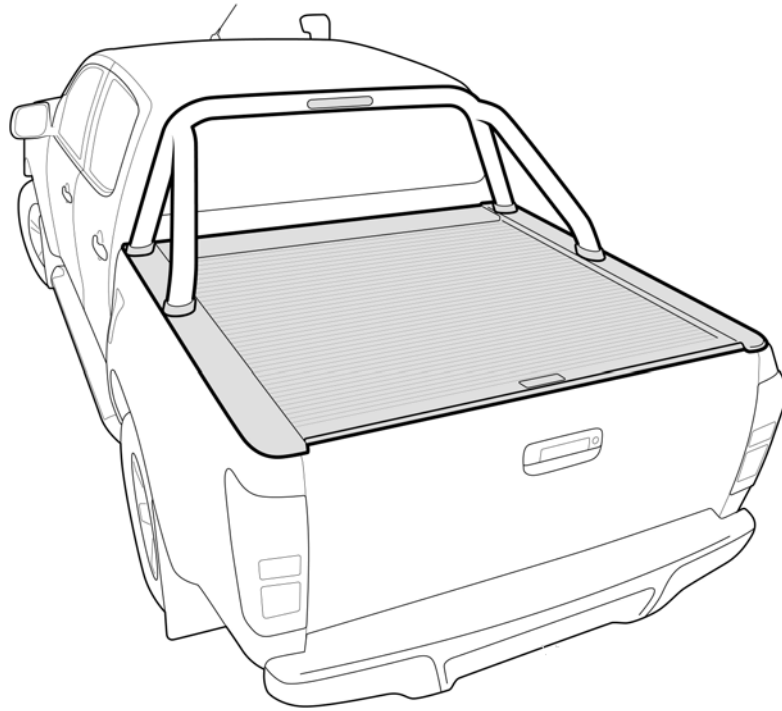
WWW.HSPUTELIDS.COM

Part No: X42R

Fitting Time: 180 minutes

ROLL-R-COVER

To suit Isuzu DMax Dual Cab with sports bars



Roll-R-Cover

Fitting Instructions

– General Notes

- Read through the fitting instructions before installation of accessory.
- Always install the Roll R Cover Wiring Kit following the workshop manual and fitting instructions provided. Failure to do so may cause damage to the vehicle or the accessory.
- Ensure all recyclable components and packaging are discarded and recycled following local recycling regulations.
- It is always recommended that the Roll R Cover Wiring Kit is fitted by a qualified automotive technician.
- Safely store and protect any removed vehicle components.

– Safety Notes

- Check that all work practices comply with safety standards.
- Please wear appropriate clothing and use safety equipment.



– Fitting Time



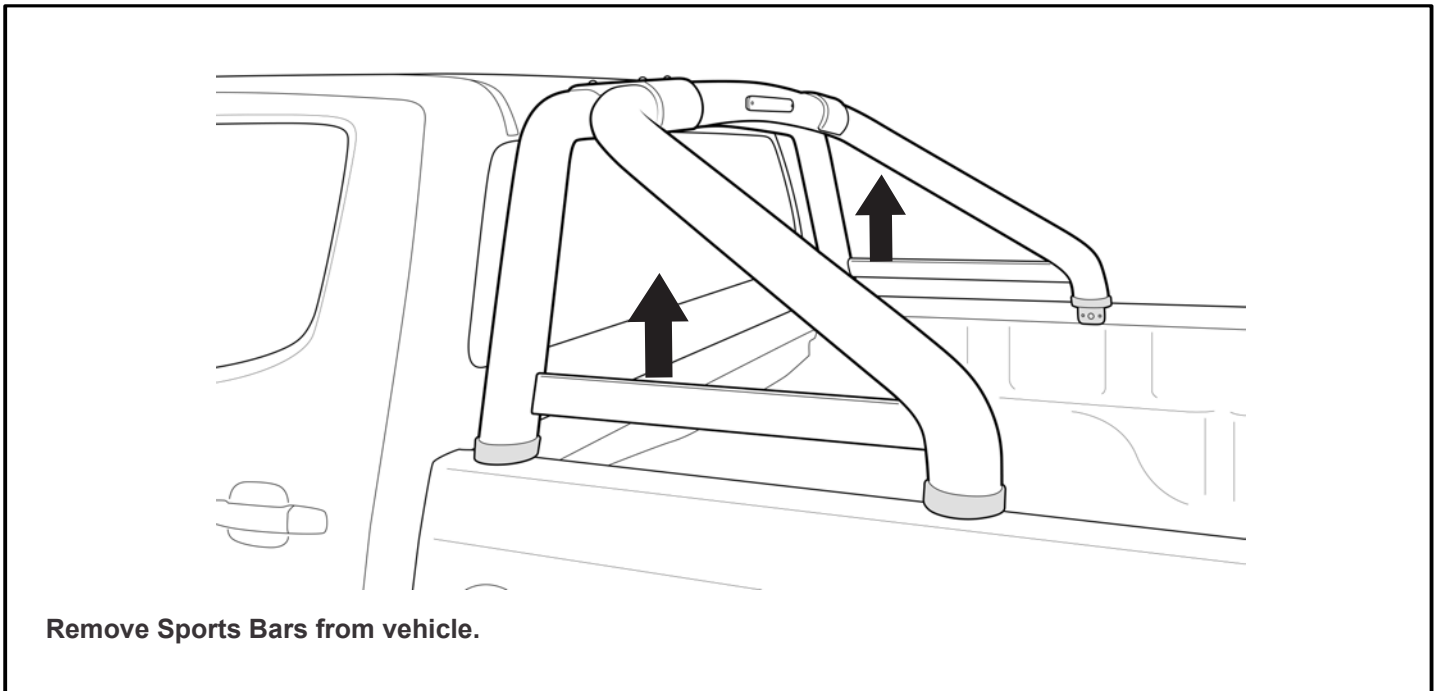
180 minutes

– Parts Supplied

X42R		DUAL CAB ISUZU D'MAX - ROLL R COVER WITH SPORTS BAR MOUNTING KIT		
PART DESCRIPTION	PART NUMBER	QUANTITY/LENGTH	CHECK	
X42R FITTING INSTRUCTIONS	388*	1		
LUBRICANT PUMP SPRAY	47*	1		
REMOTE	215*	2		
PRIMER STICK	44*	1		
CABLE TIE 4.8X300	217*	10		
ROLL R LOOM	216*	1		
X4R CANISTER AND CURTAIN	424*	1		
X42R RAIL RIGHTHAND	345*	1		
X42R RAIL LEFTHAND	346*	1		
M8 NYLOC NUT	28*	2		
M8 FLAT WASHER	34	2		
X42R (2) GASKET	234*	2		
BLACK NITRILE FOAM 6MMX25MMX1.6M	391	1		
M8 GRUB SCREW	27*	2		
X42R (1) GASKET	233*	2		
M8 FLANGE NUT	29*	2		
HOSE 600MM	11*	4		
COMPLETE CANISTER COVER	406	1		
OPERATION LEAFLET	66	1		
MAINTENANCE LEAFLET	67	1		
ADJUSTMENT PLATES	31	2		
BLACK PUTTY	3*	8		

The following steps are for vehicles fitted with a Sportsbar (kit will only work with OE Sportsbar).

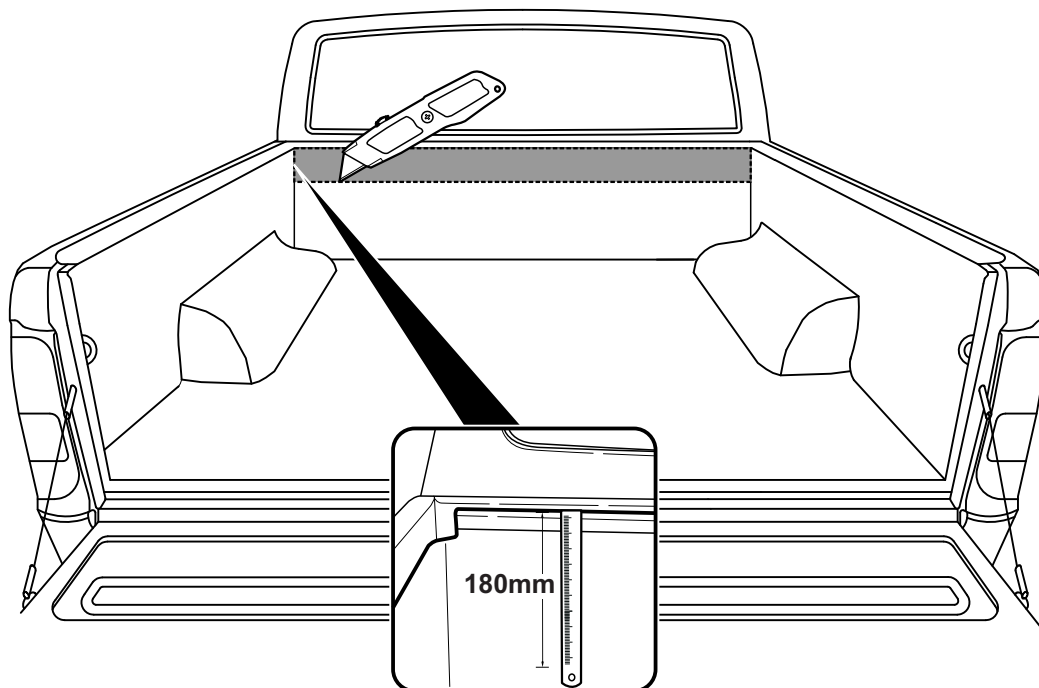
– Step 1



**The following steps are for vehicles with bed liners.
If there are no bed liners installed move to Step 4**

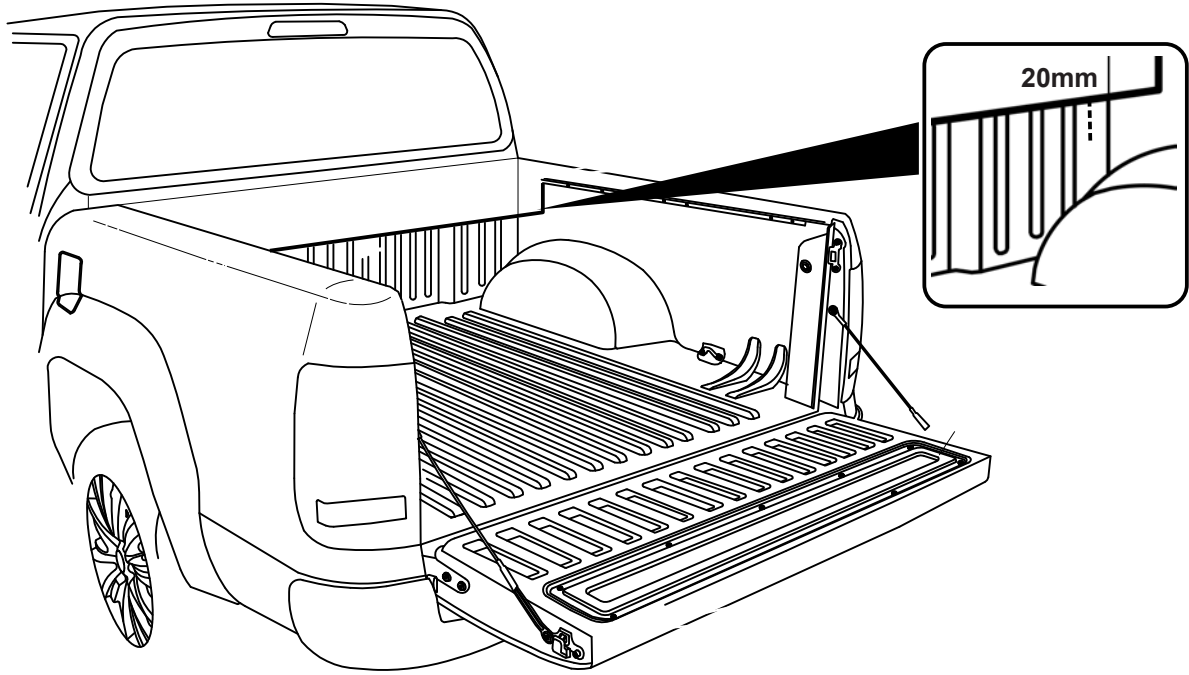
– Step 2

Trim front of bed liner by 180mm from the top of the ute bed as shown.



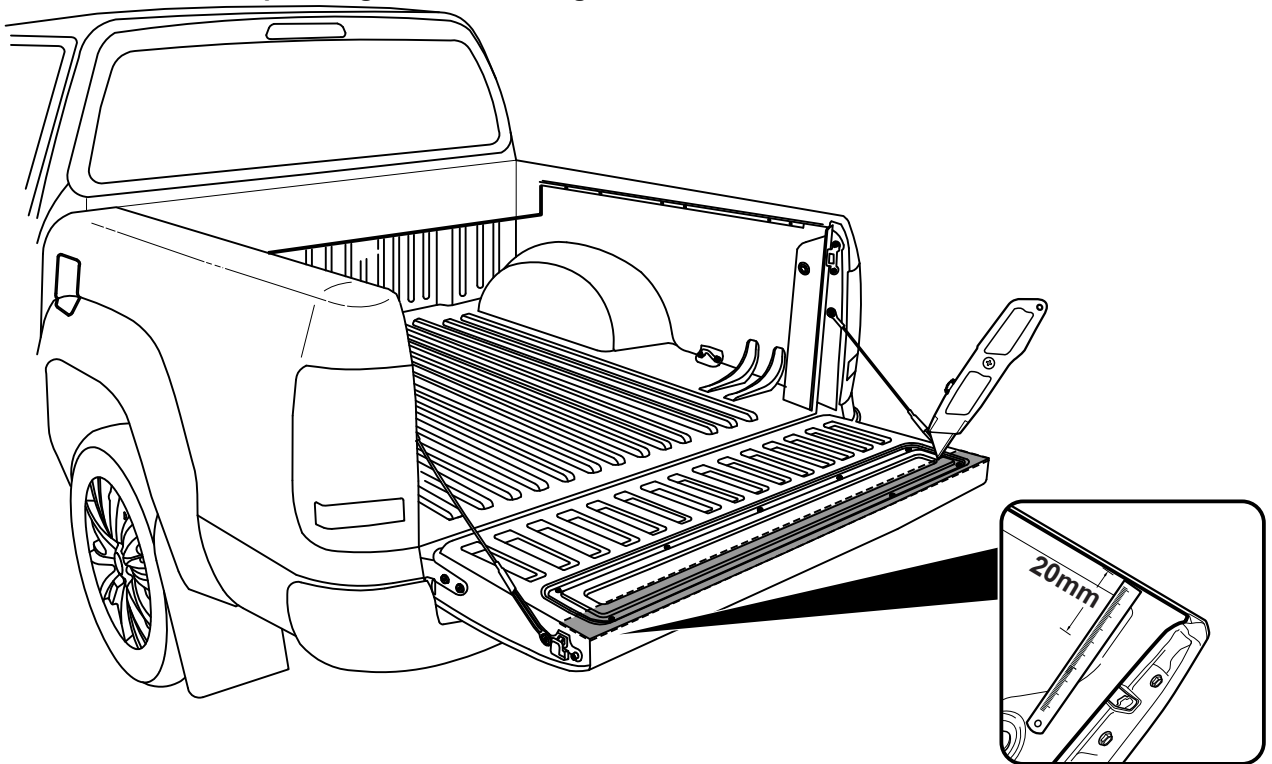
— Step 3 —

Cut a 20mm split for bed liner to flex.



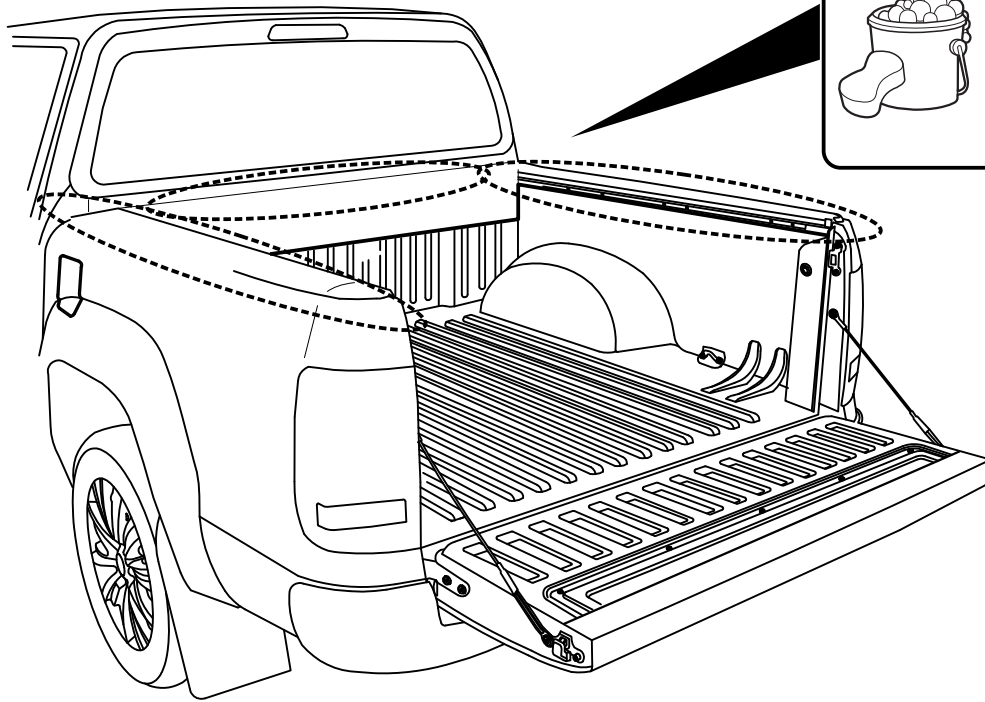
— Step 4 —

Measure 20mm down from top of tailgate and trim tailgate liner.



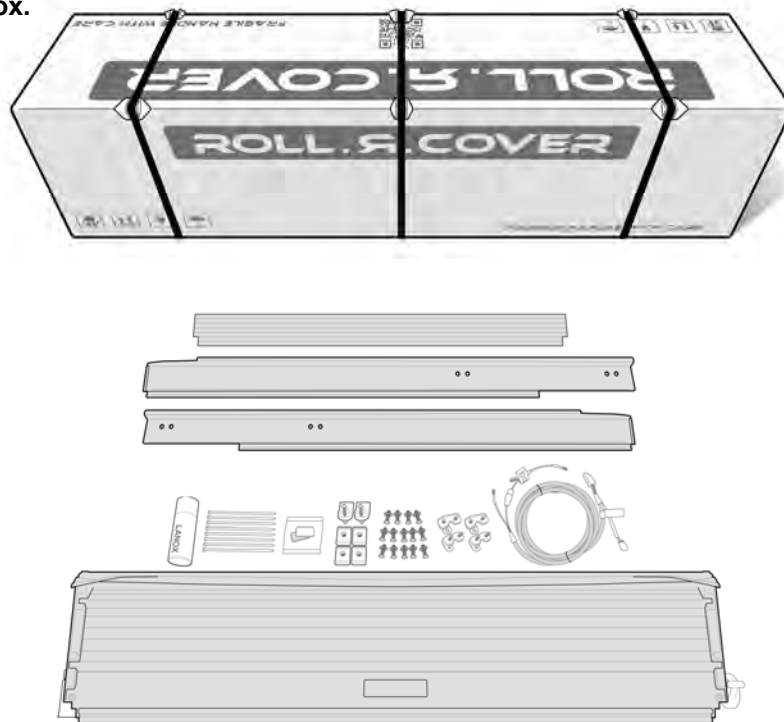
– Step 5 –

Roll-R-Cover preparation steps



– Step 6 –

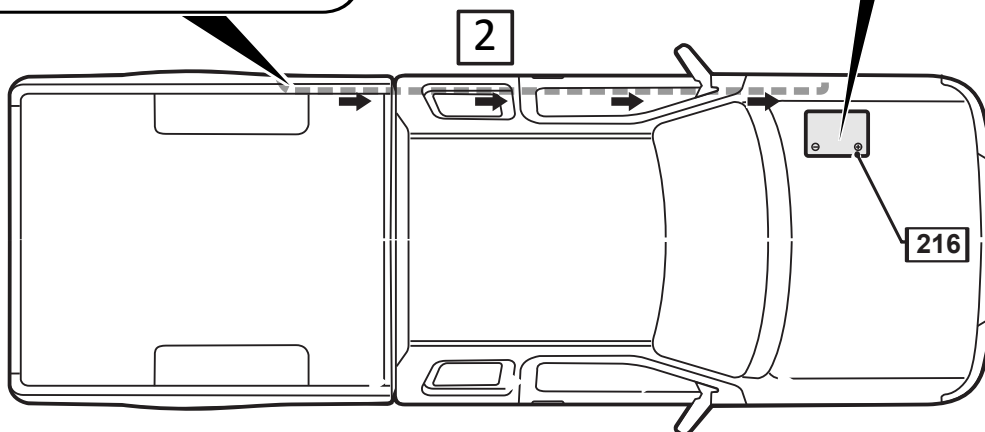
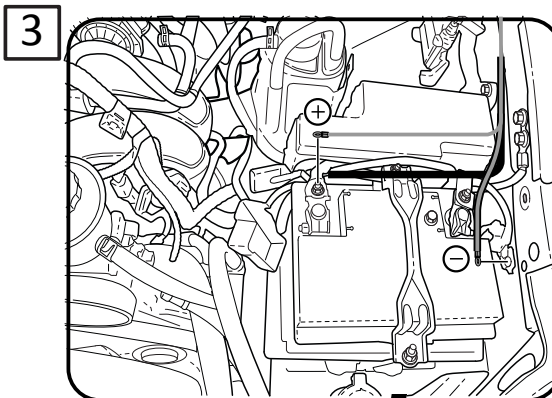
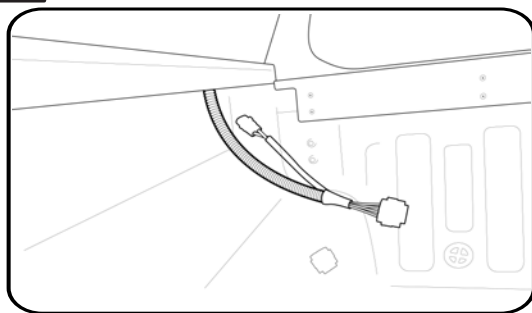
Carefully unpack the box.



– Step 7

Wiring Harness steps

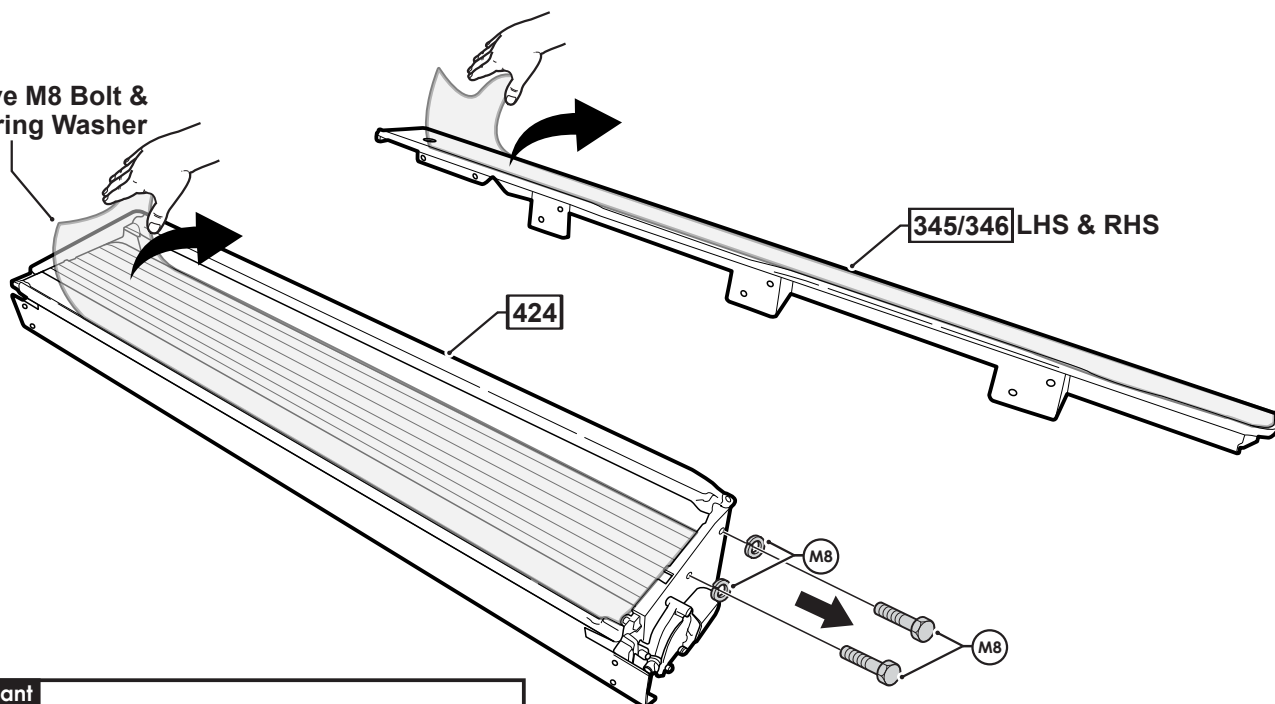
- 1** Feed through the cavity



Run the wiring from the front corner cavity to the battery over the chassis rail. Making sure to keep away from hot obstructions and cable tie every 400mm.

– Step 8

Remove M8 Bolt &
M8 Spring Washer

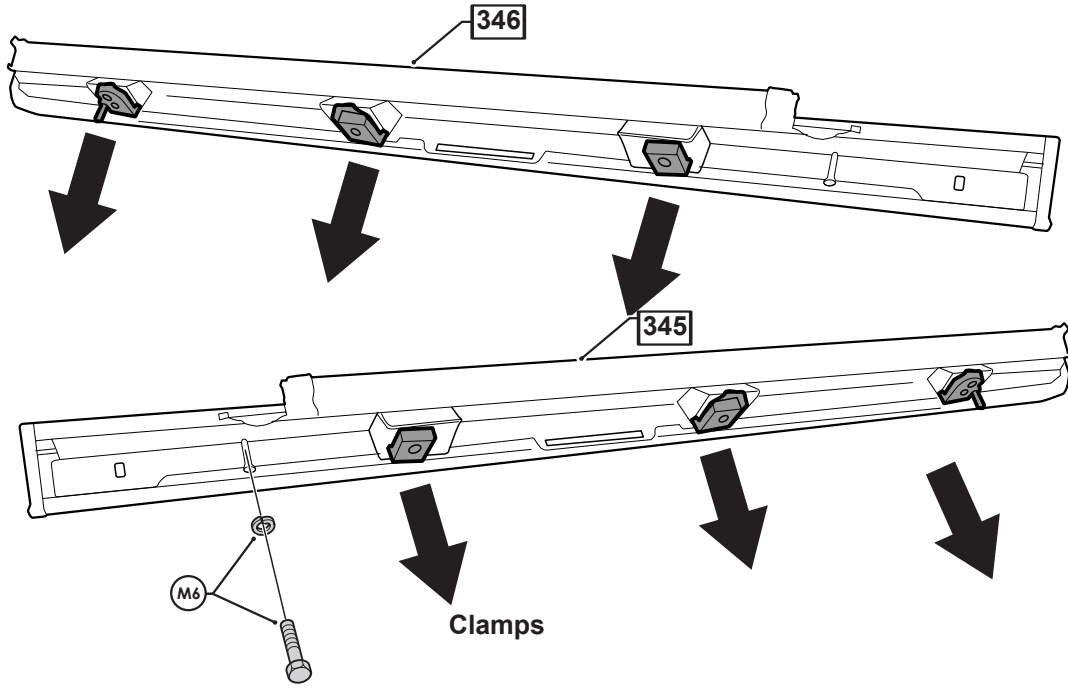


Important



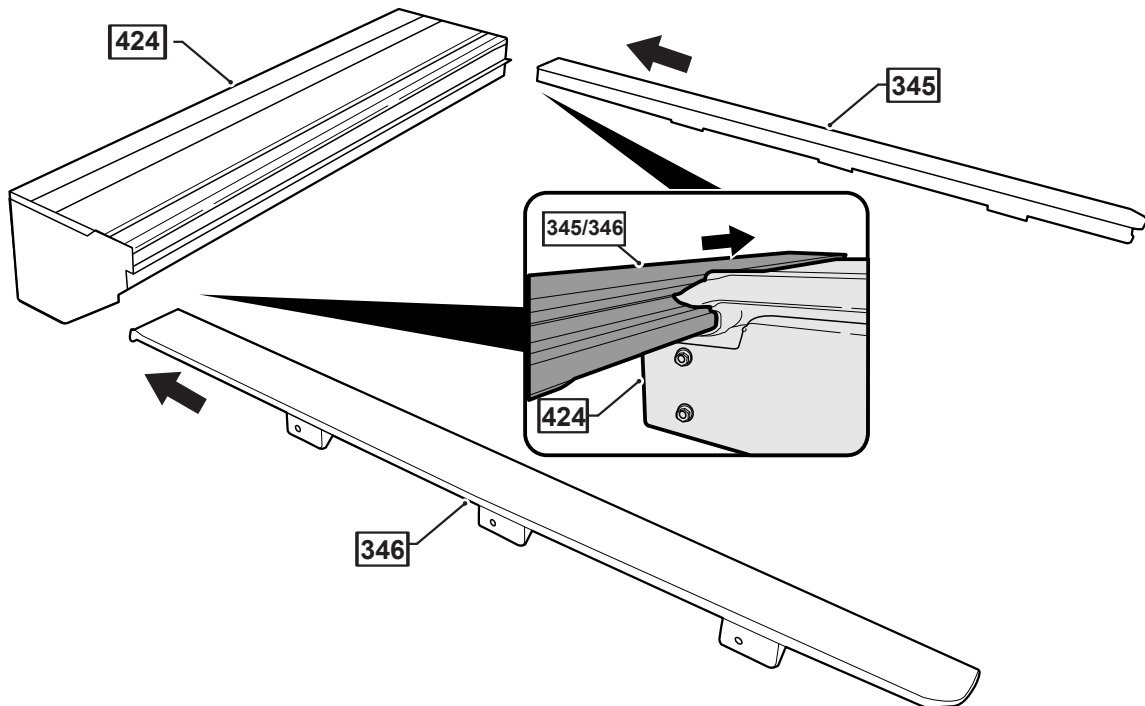
Ensure the black tar is not removed with the film.

– Step 9

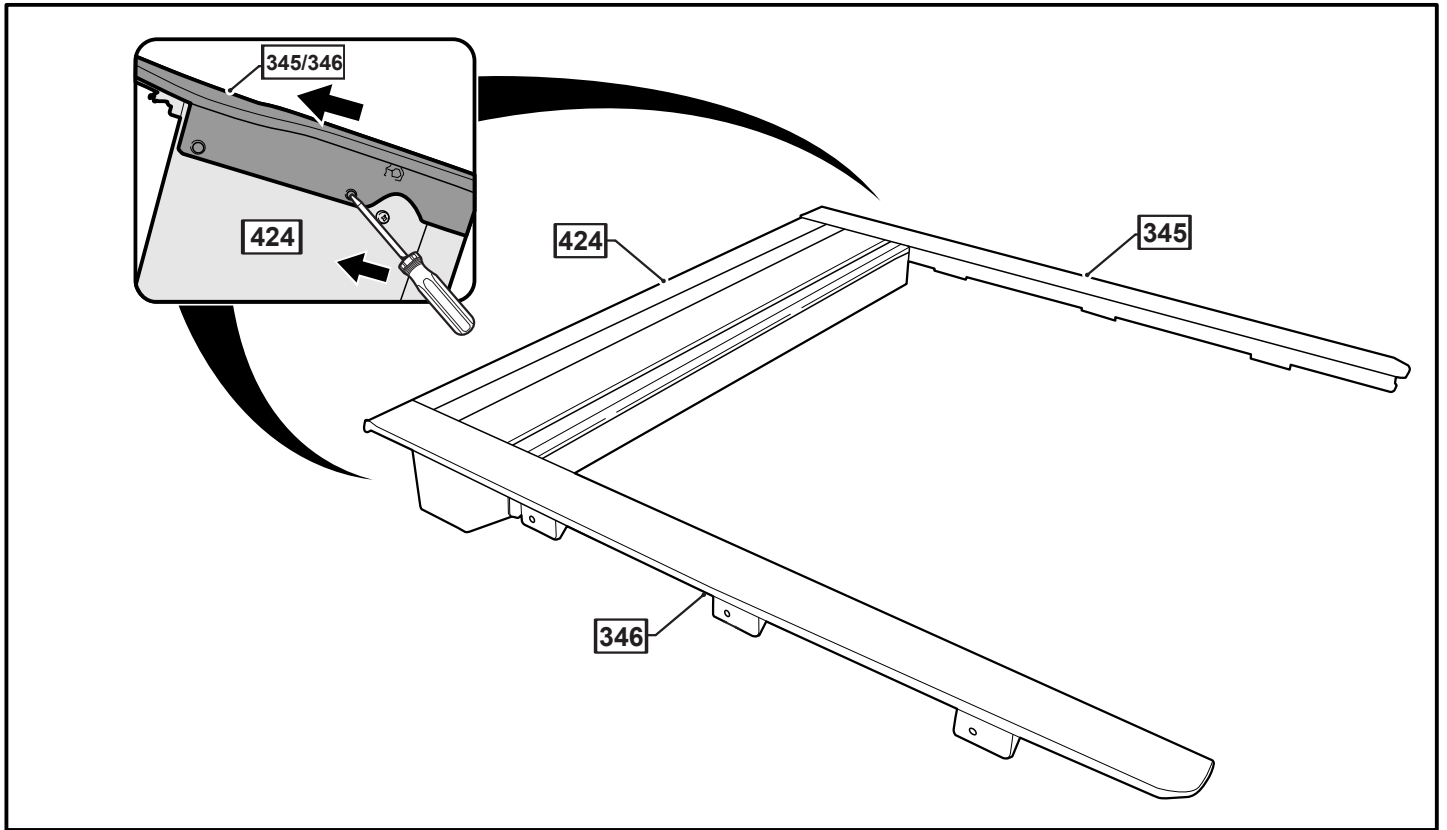


M6 Bolt and M6 Spring Washer is only on the RHS Side Rail

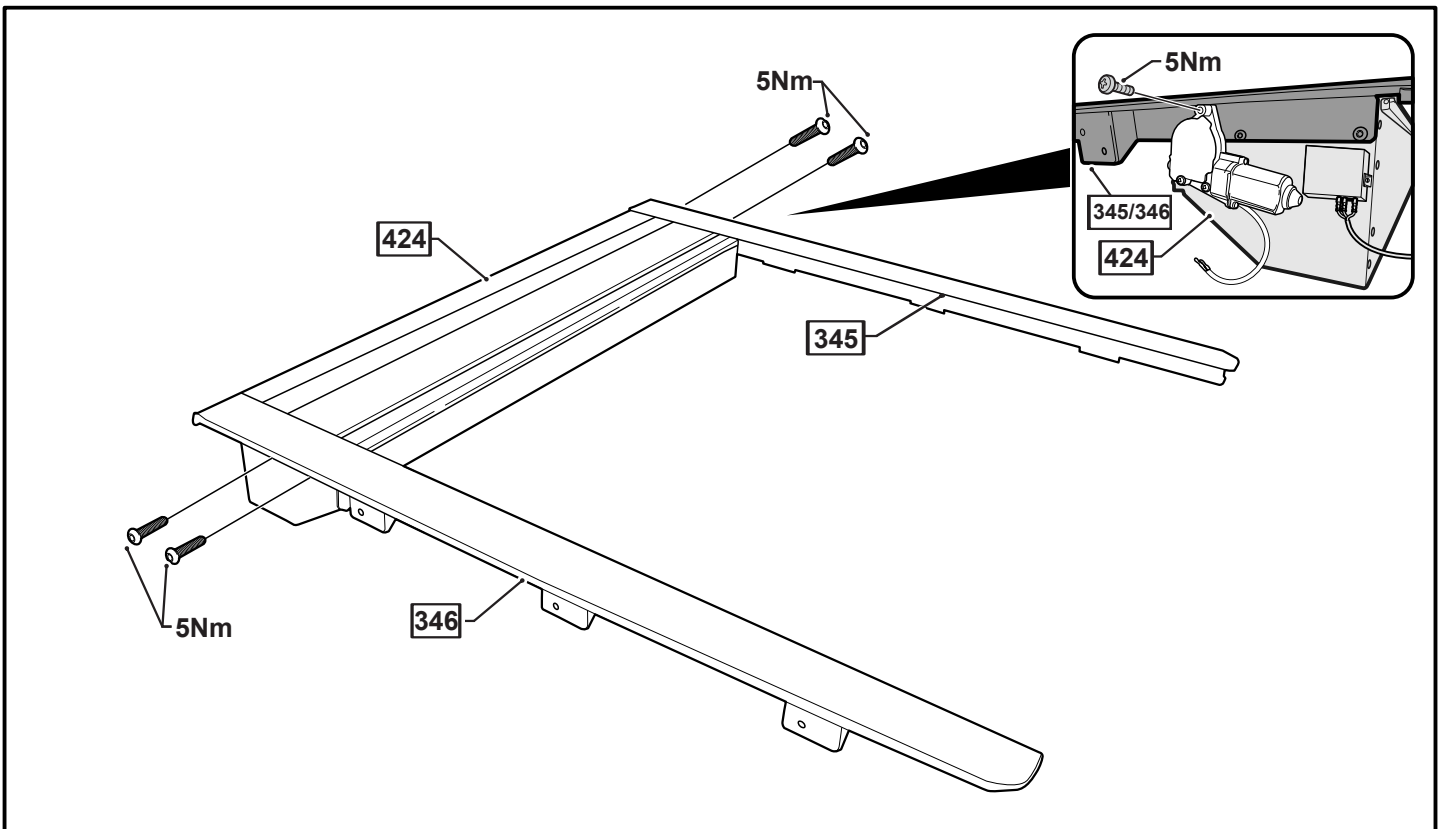
– Step 10



– Step 11 –

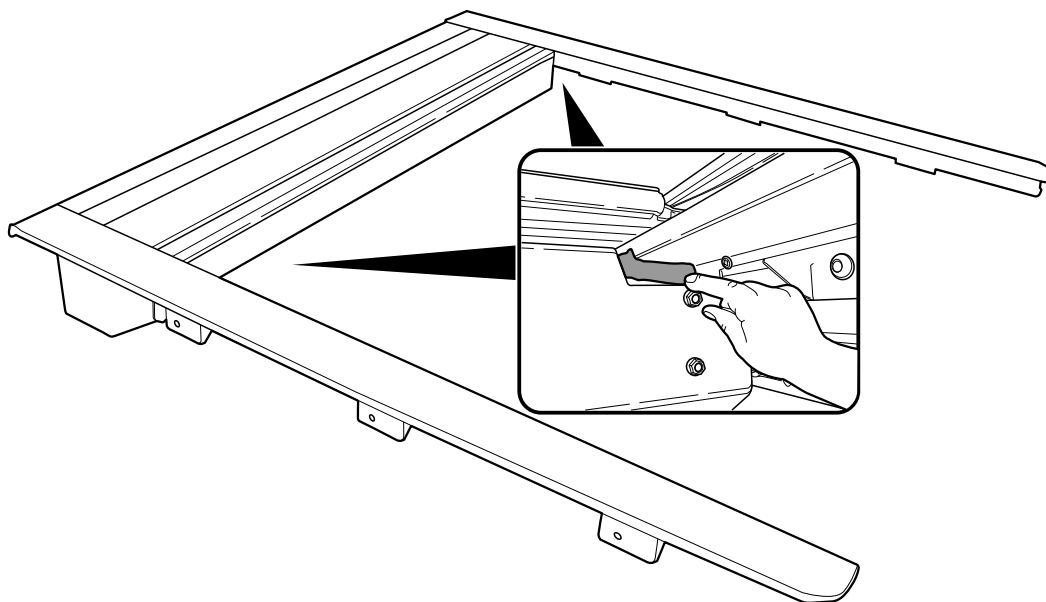


– Step 12 –



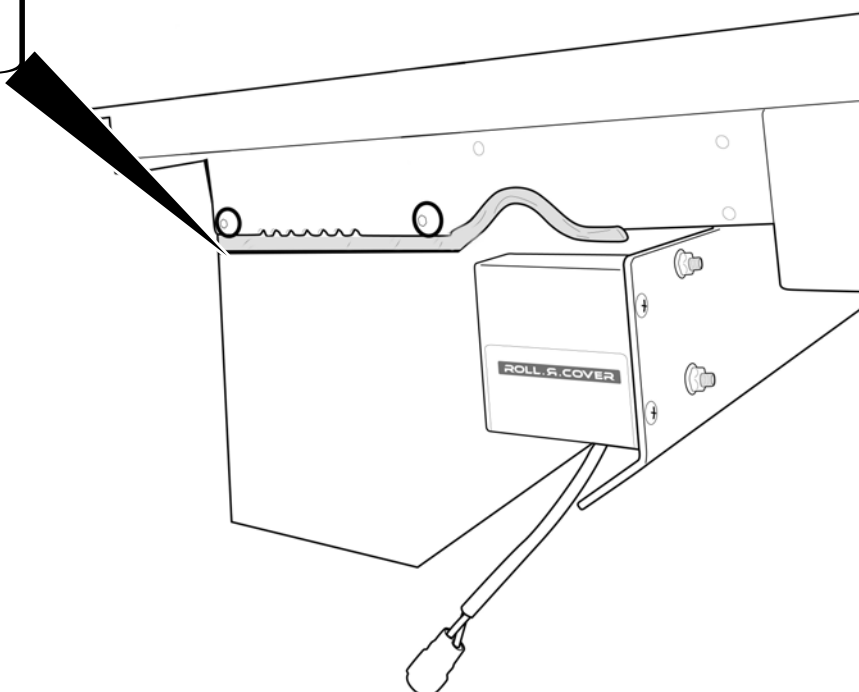
– Step 13

Apply tar sealant to the gap under water channel.



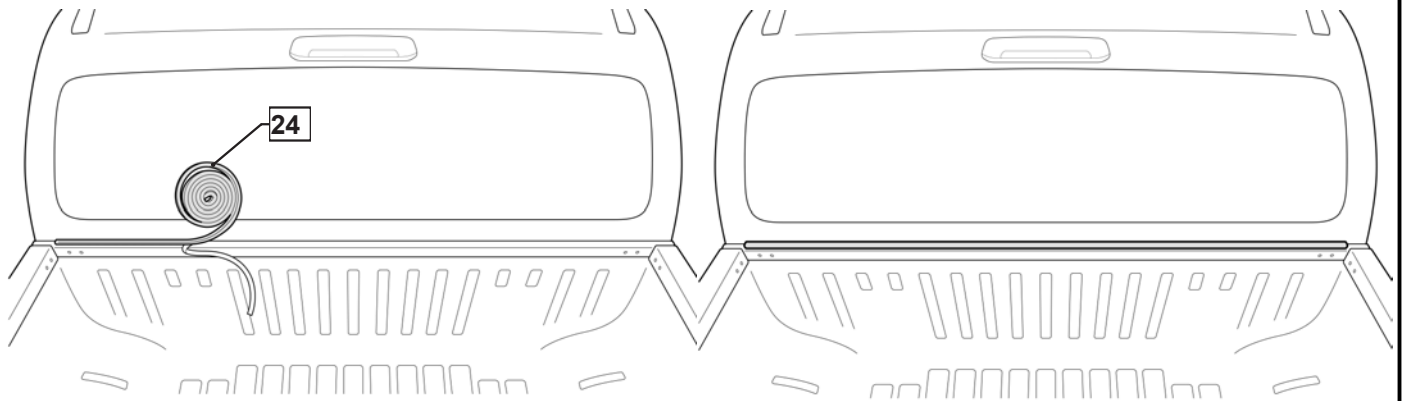
– Step 14

Apply tar sealant to both sides of the canister as shown (where accessible).

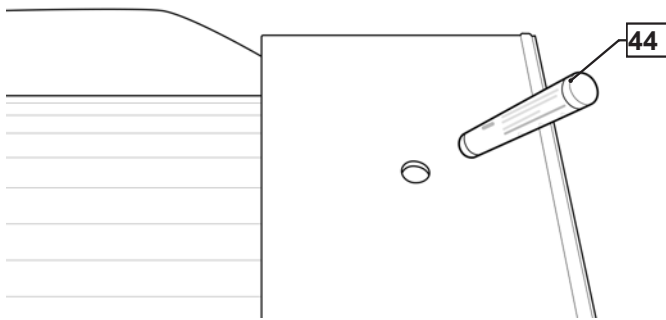


– Step 15

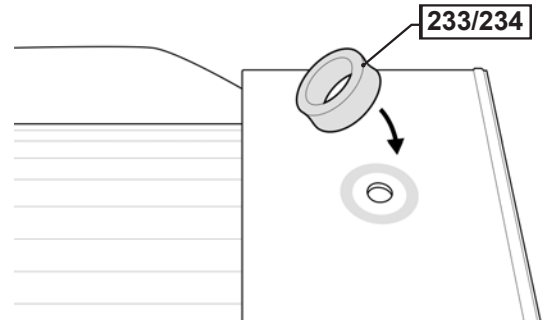
Run foam seal provided along the front of the tub to make headrail level with sides.



– Step 16



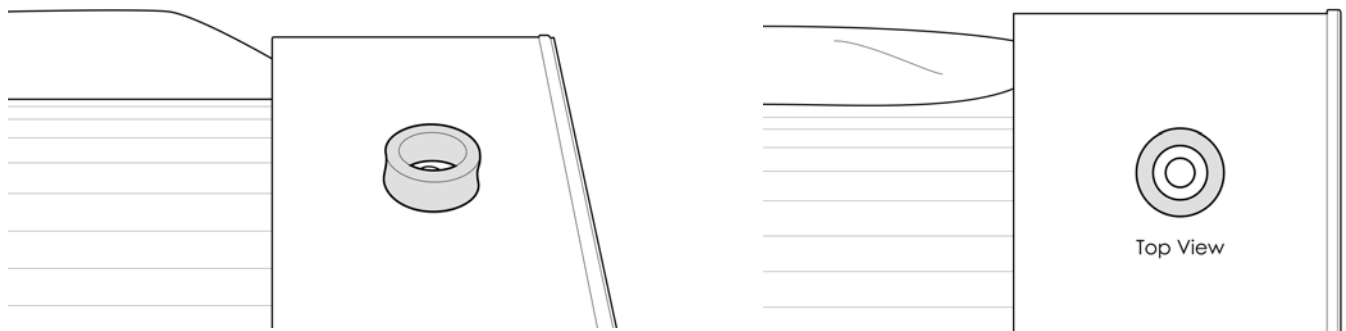
Apply 3M primer provided around side rail holes.



Peel away backing from foam sealant and stick to side rail. Front and rear gaskets are not identical.

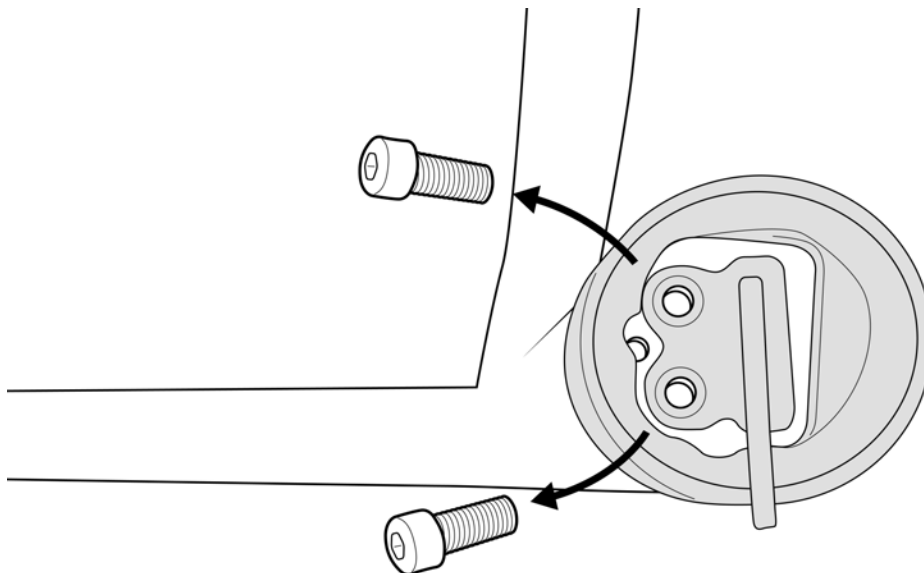
– Step 17 –

Repeat on all holes.



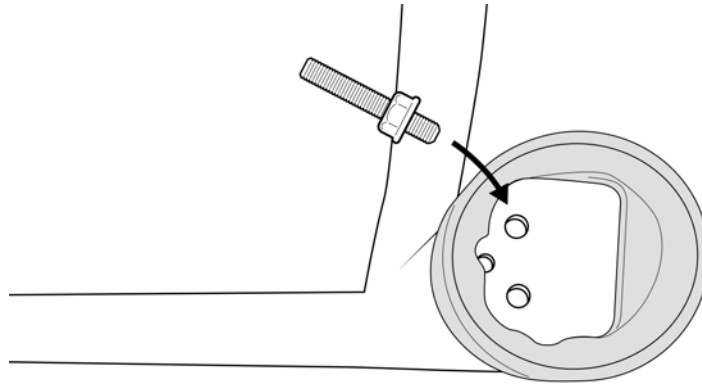
– Step 18 –

Remove front leg factory brackets from sports bars. Repeat on other side.



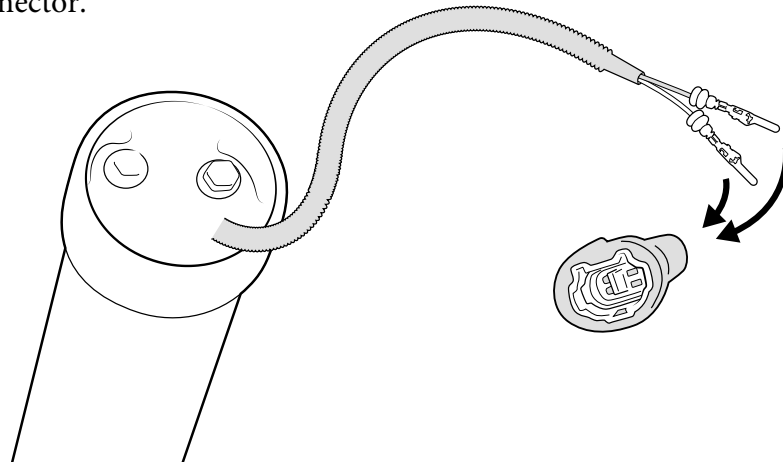
— Step 19 —

Use Sports Bar brackets (Thread and locking bolts as shown). Two front legs only.



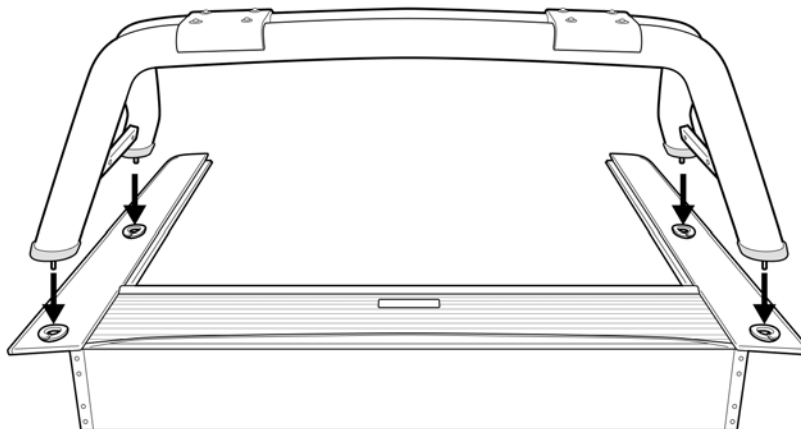
— Step 20 —

Remove plug from connector.



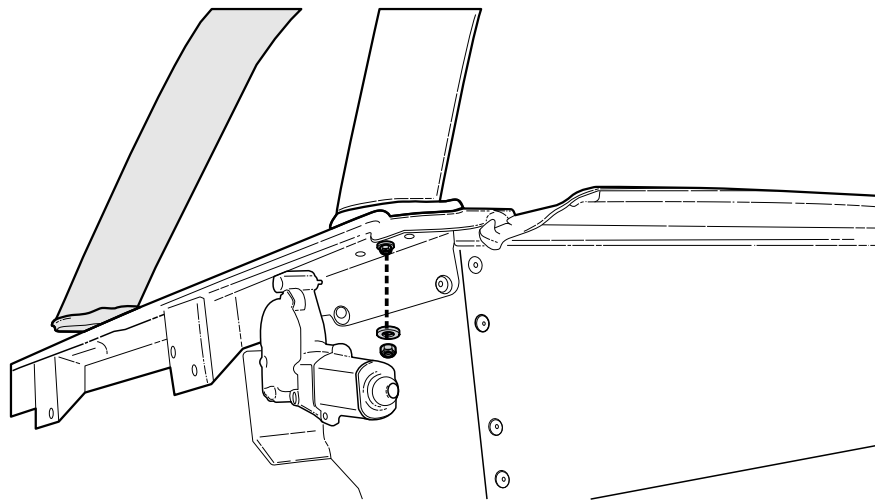
— Step 21 —

Place Sportsbar on Roll R cover



– Step 22

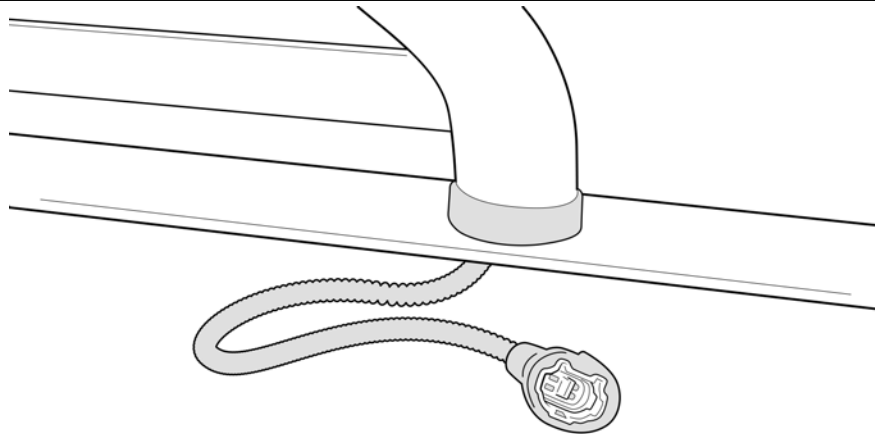
Place flat washer and tighten with the nylock nut provided. Repeat on all four legs.



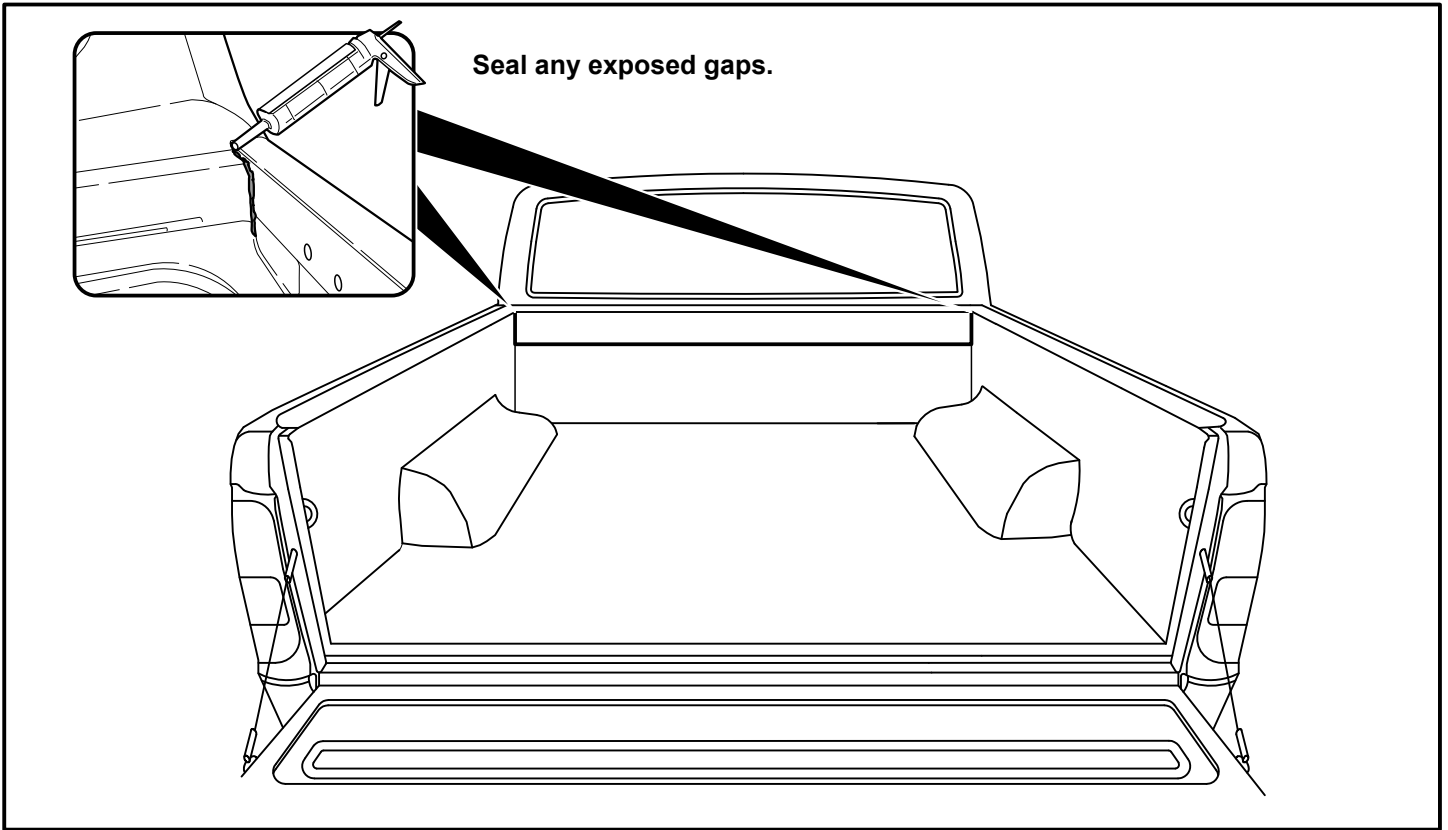
Note - Do not overtighten

– Step 23

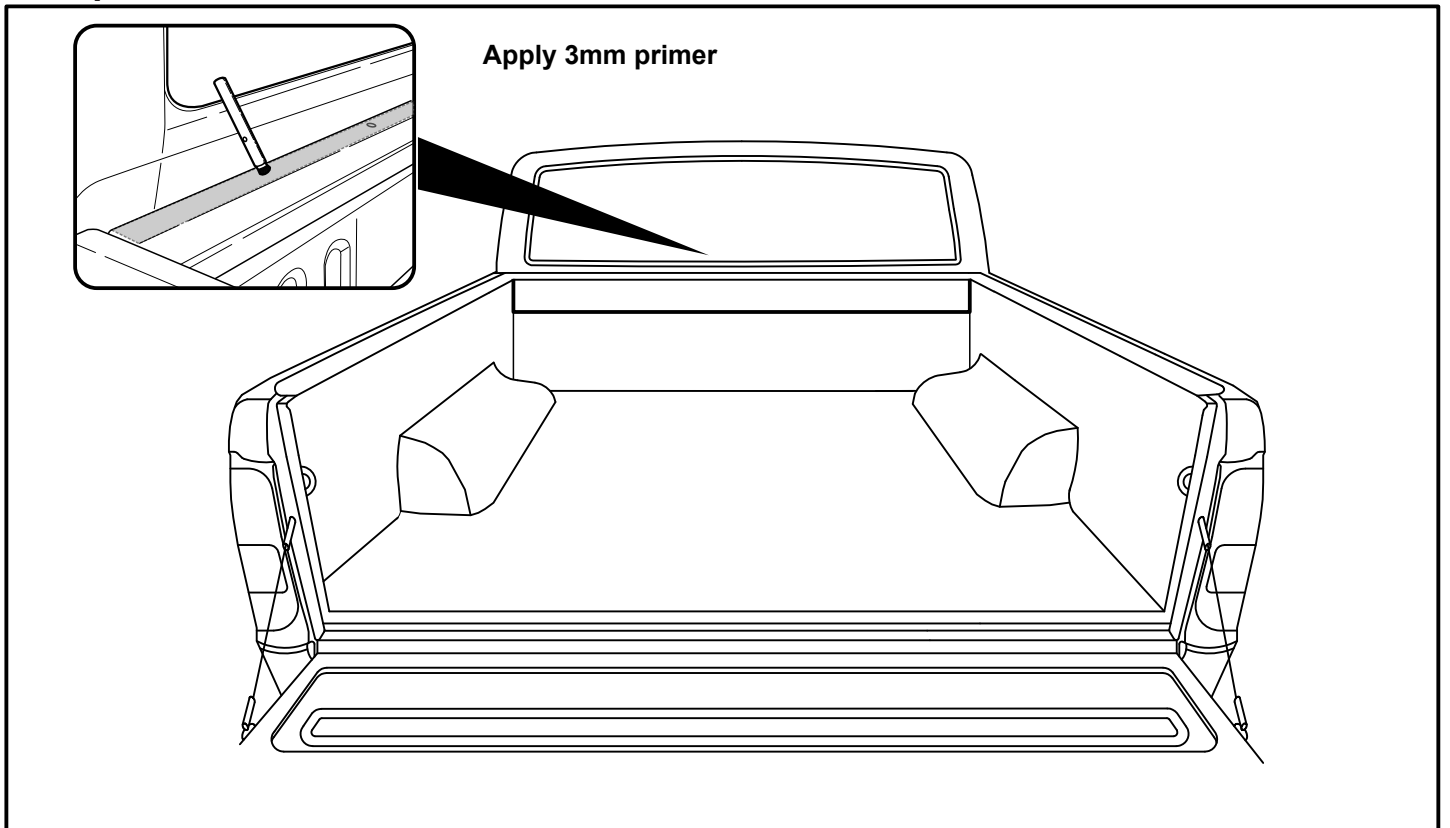
Connect plug to connector.



– Step 24

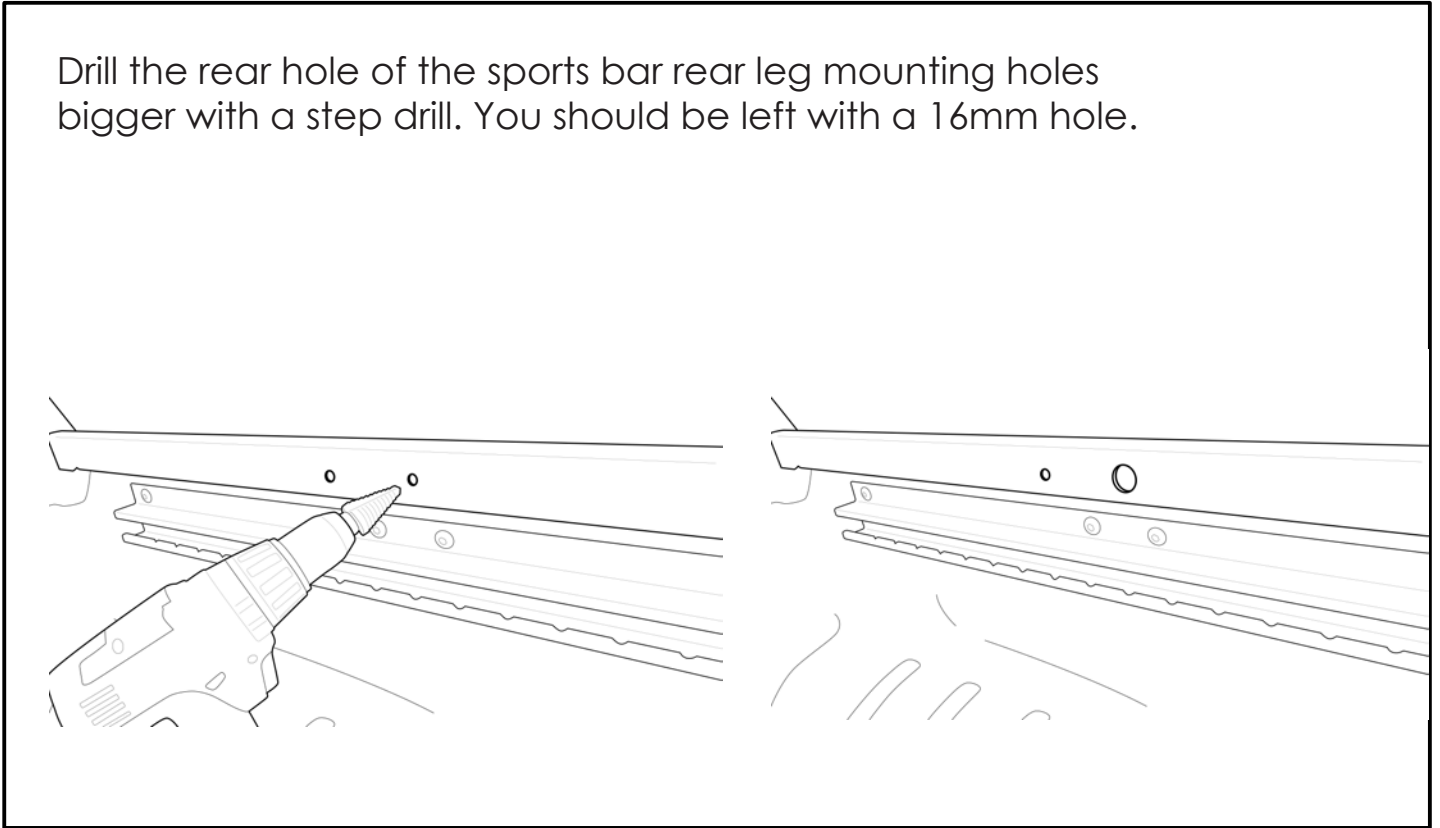


– Step 25



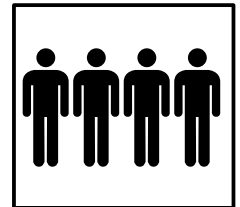
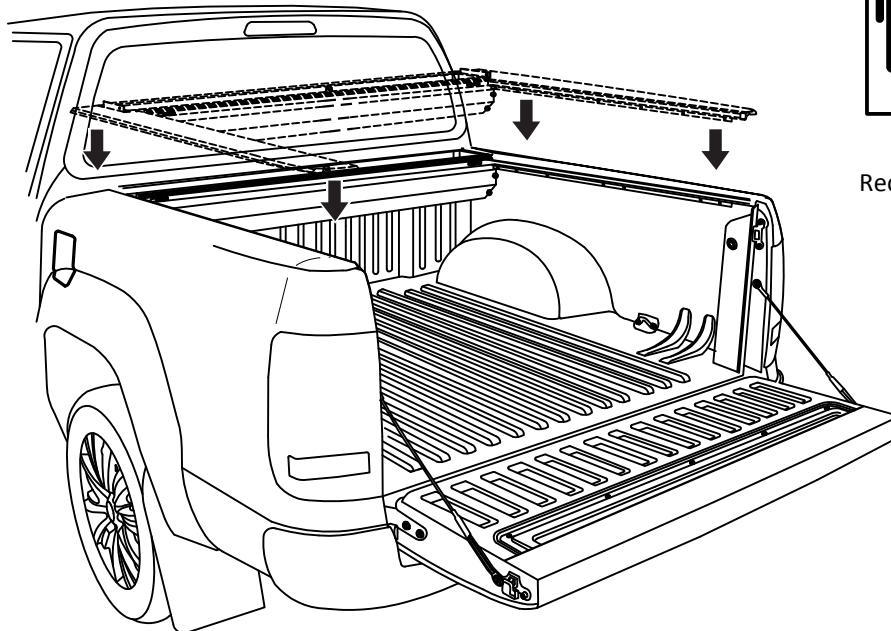
— Step 26 —

Drill the rear hole of the sports bar rear leg mounting holes bigger with a step drill. You should be left with a 16mm hole.



— Step 27 —

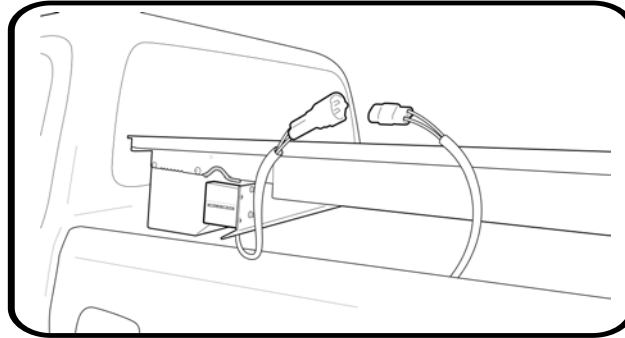
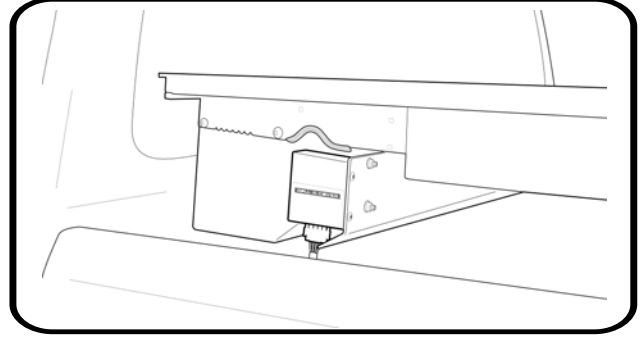
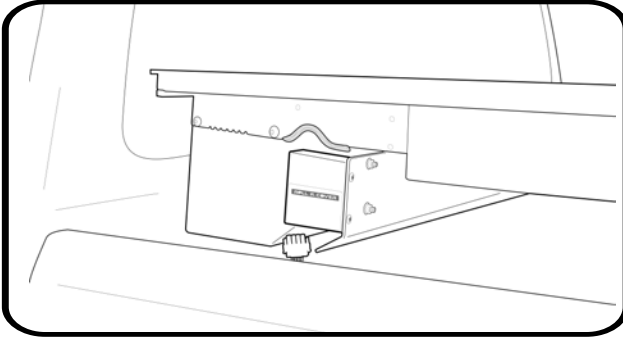
Installing the Roll-R-Cover



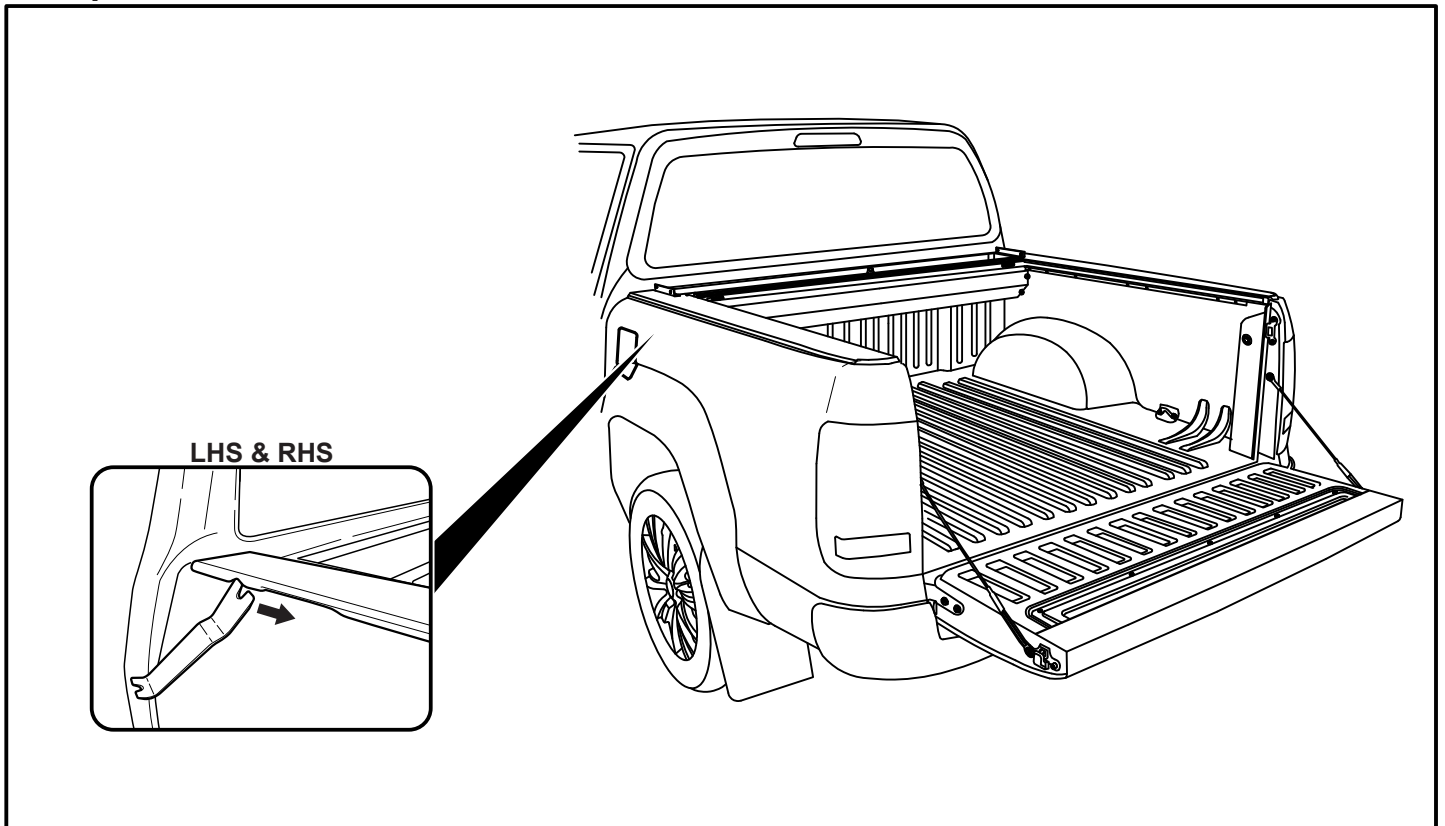
4 People
Recommended for lift

– Step 28

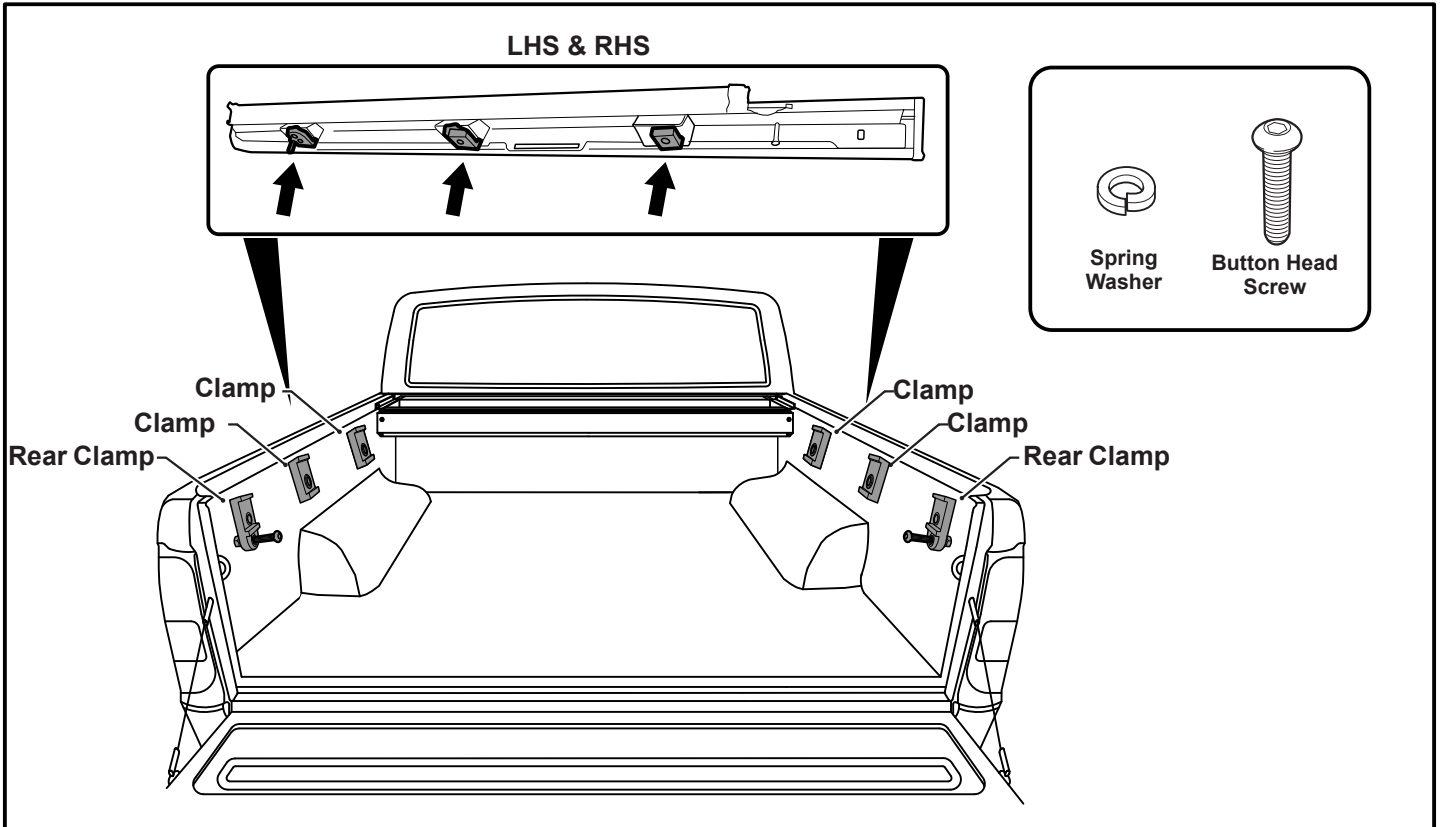
Before dropping the Roll R cover into place on the tub, connect all relevant connections or plugs to the receiver and motor plug connection.



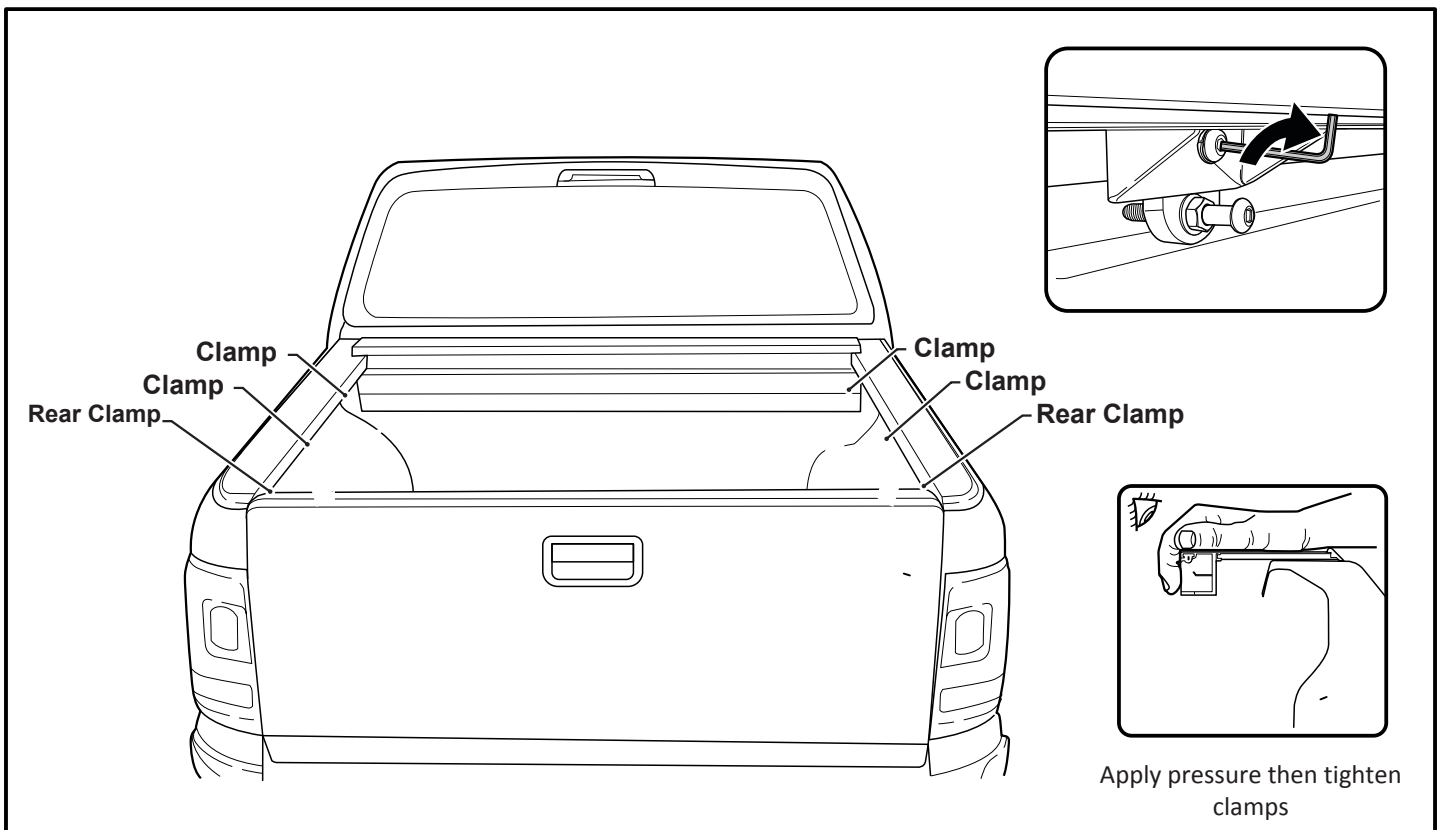
– Step 29



– Step 30

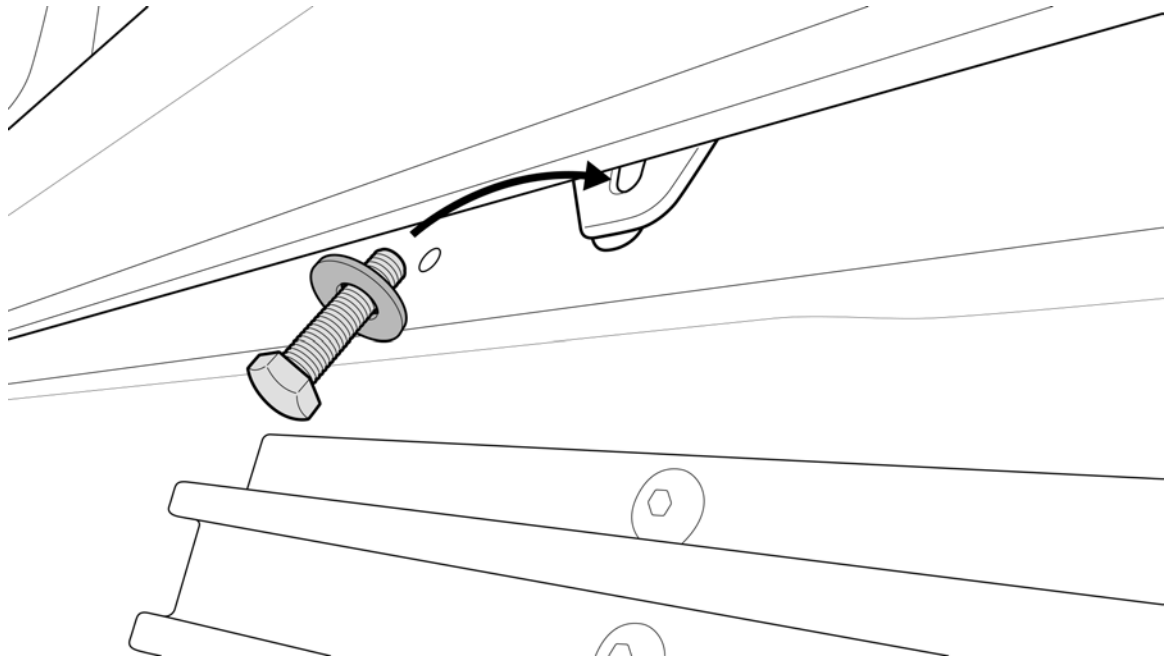


– Step 31



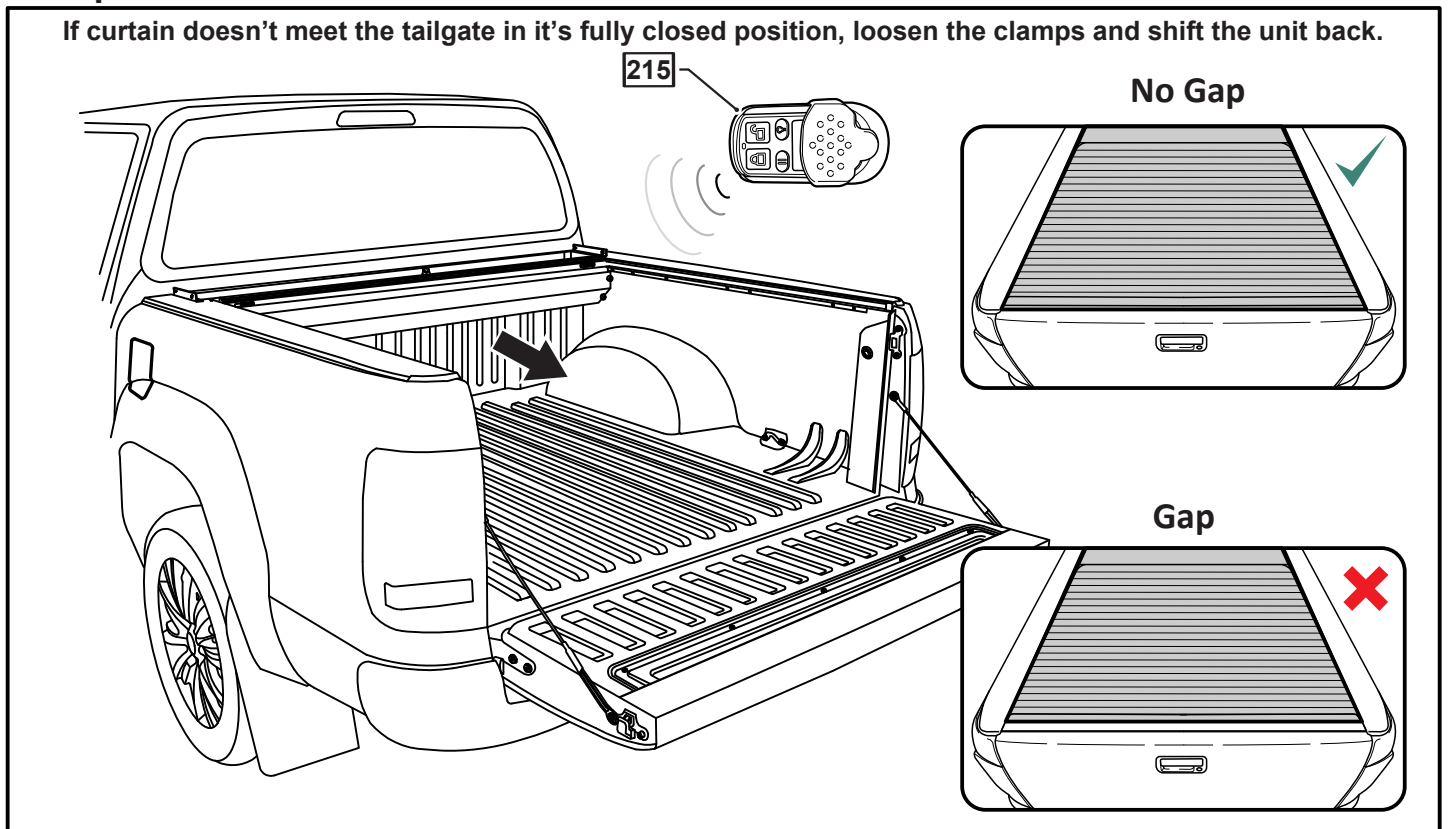
– Step 32

Using the retained nut and bolt when removing the sports bar, fasten the rear leg with it.

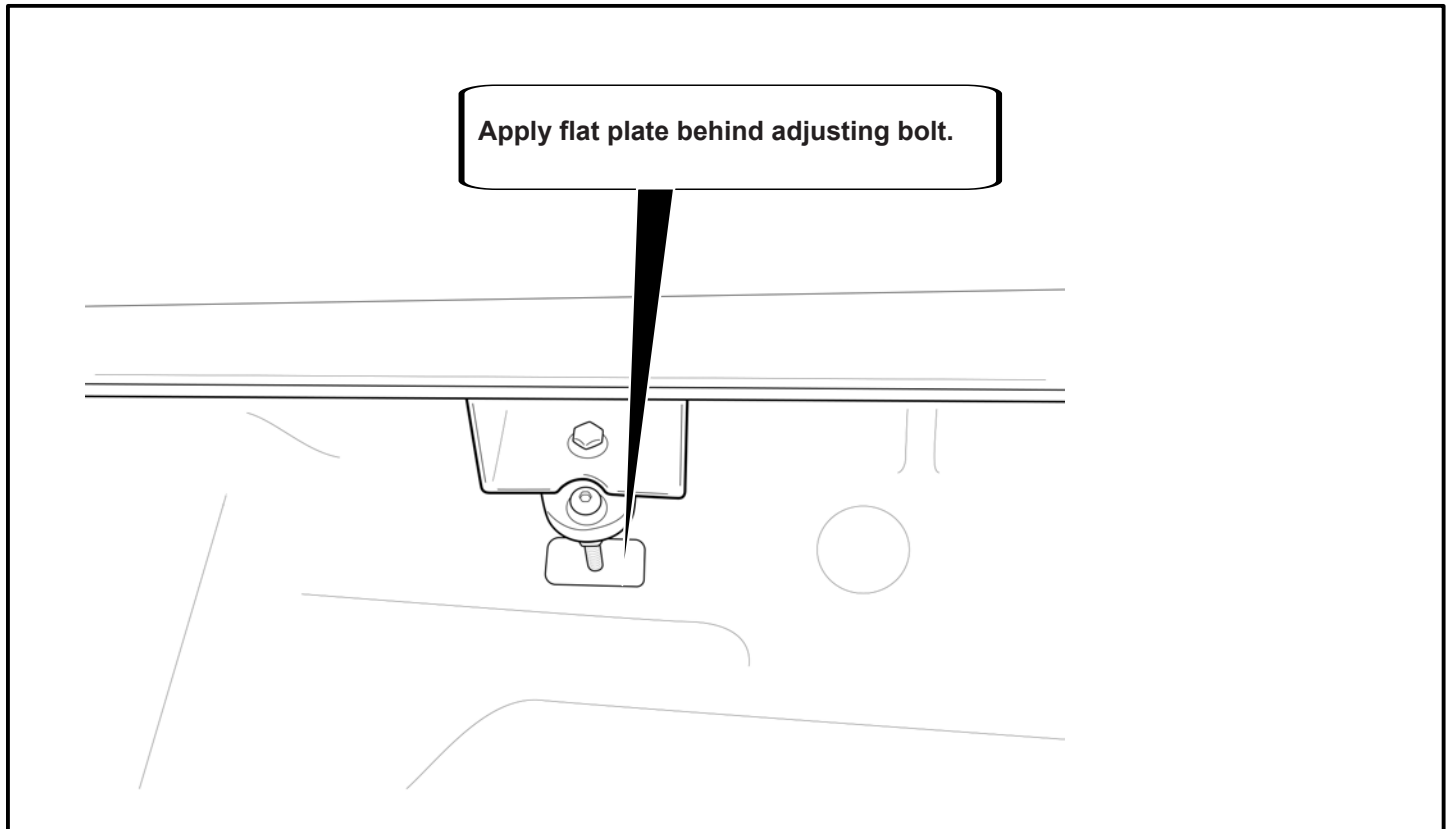


– Step 33

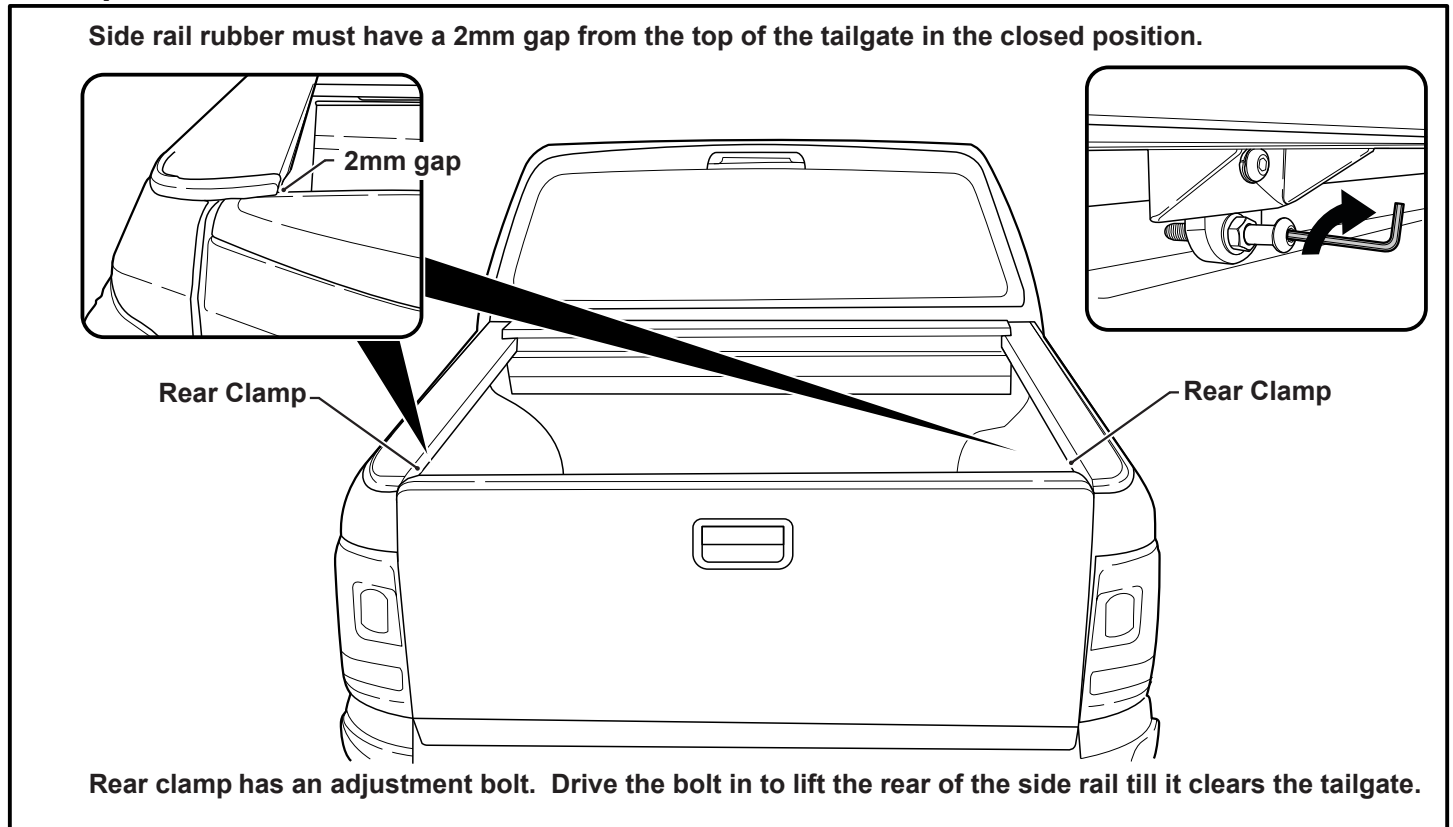
If curtain doesn't meet the tailgate in it's fully closed position, loosen the clamps and shift the unit back.



– Step 34

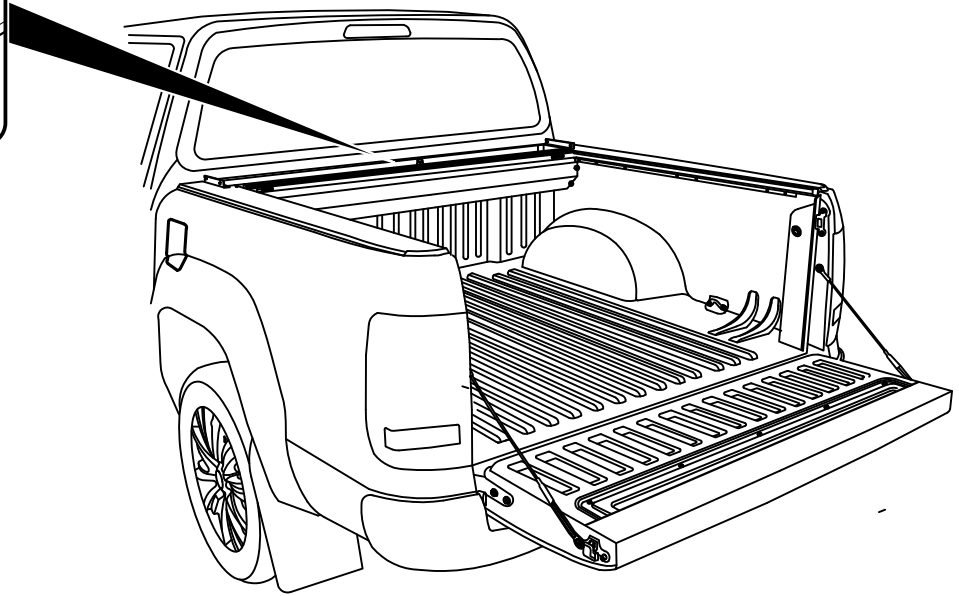
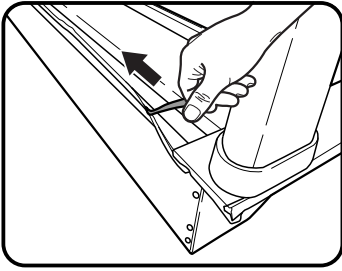


– Step 35



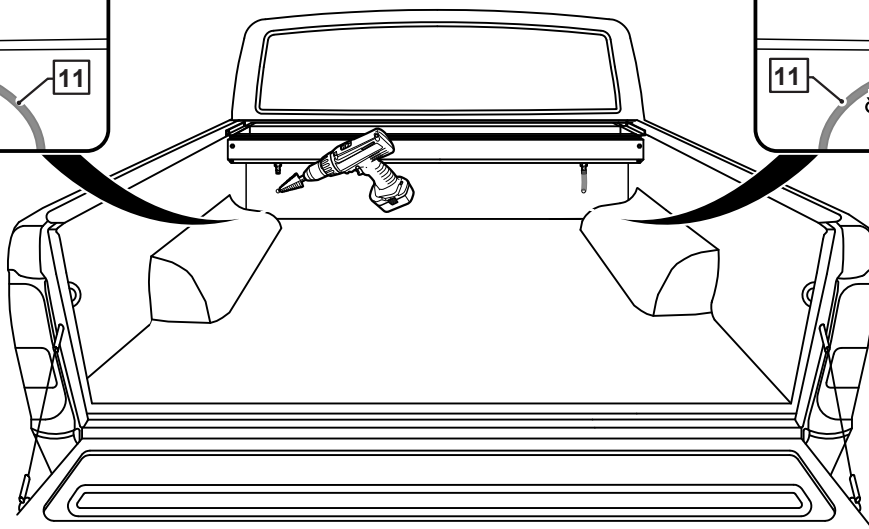
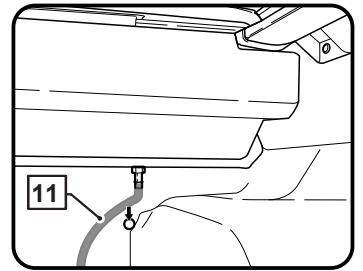
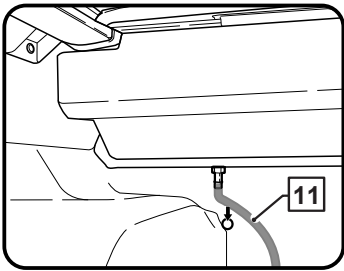
– Step 36

Peel double sided tape backing off and stick to vehicle.



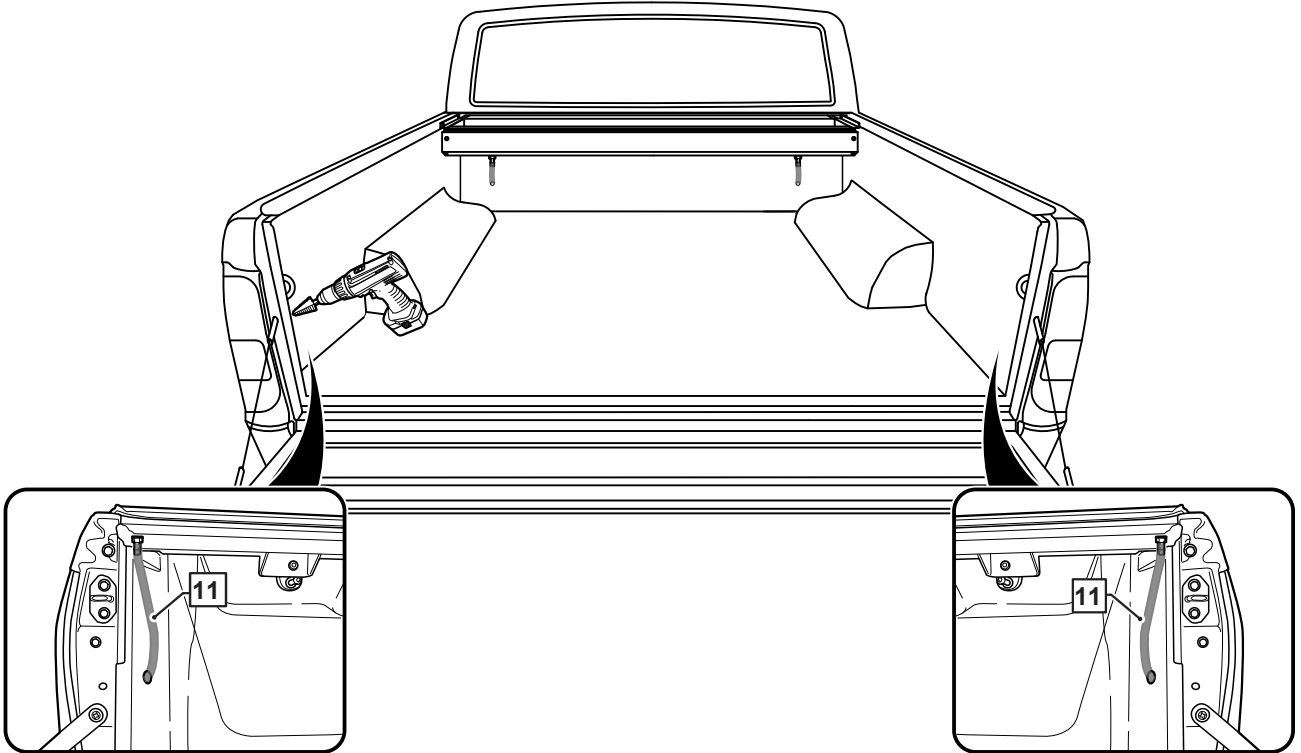
– Step 37

Drill through bed and liner (check for obstructions).



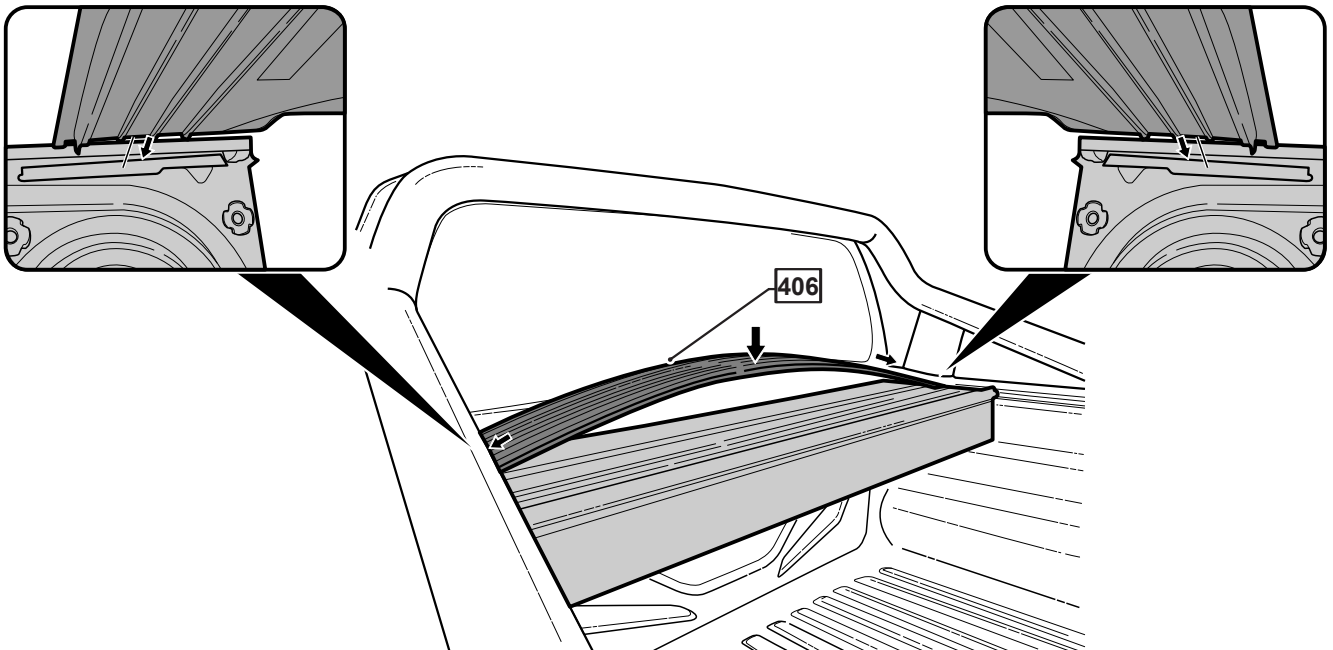
– Step 38

Remove the tail light to check for obstructions before drilling

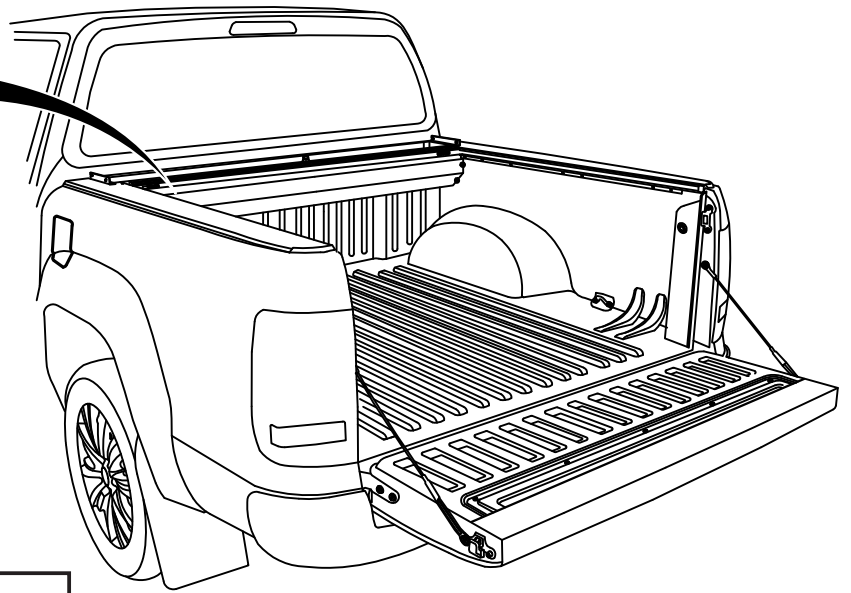
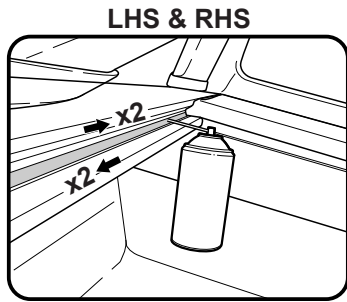



– Step 39

Snap fit the top cover.

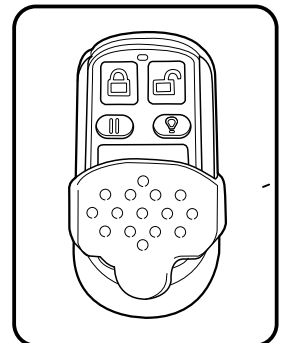
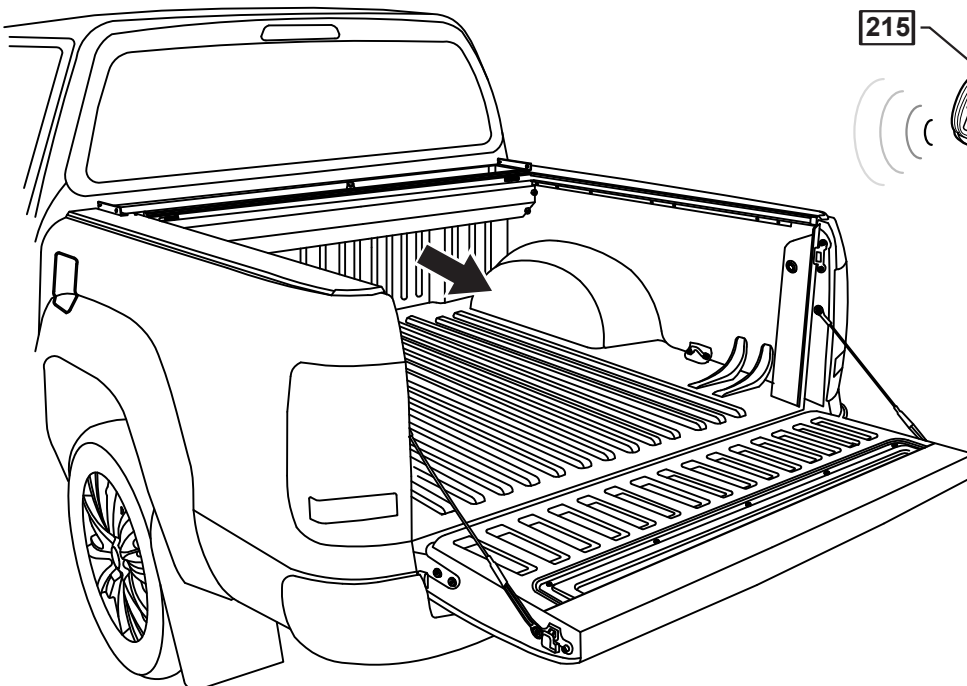


– Step 40



Important
 Tracks need to be lubricated regularly

– Step 41



WARNINGS! www.hsputelids.com

 NO STANDING	 ENSURE LOAD IS SECURE	 OIL CHECK GLIDES OIL REGULARLY	 6Nm CHECK CLAMPS AND TIGHTEN	 kg DO NOT PLACE LOAD ON COVER	 CHECK DRAIN CLEAN CANISTER	 MECHANICAL HAZARD	 NO PEOPLE OR ANIMALS UNDER ROLL TOP
--	---	---	---	--	---	---	--

E. & O.E. This document is copyright and must not be used except as permitted below or under the Copyright Act 1968. You may reproduce and publish this document in whole or in part for your or your organisation's own personal or internal compliance, educational or non-commercial purposes. You must not alter or amend this document in any way. You must not reproduce or publish this document for commercial gain without the prior written consent of the copyright owner.