



WWW.HSPUTELIDS.COM

1300 441 498

Part No: H18-1

Fitting Time: 45mins



TOYOTA HILUX

HSP TAIL LOCK

FITTING INSTRUCTIONS

## —GENERAL NOTES

---

- Read through the fitting instructions prior to installation of accessory.
- Ensure all recyclable components and packaging are discarded and recycled following local recycling regulations.
- Safely store and protect any removed vehicle components.

## —SAFETY NOTES

---

- Check that all work practices comply with safety standards.
- Please wear appropriate clothing and use safety equipment.

## —FITTING TIME

---



45mins

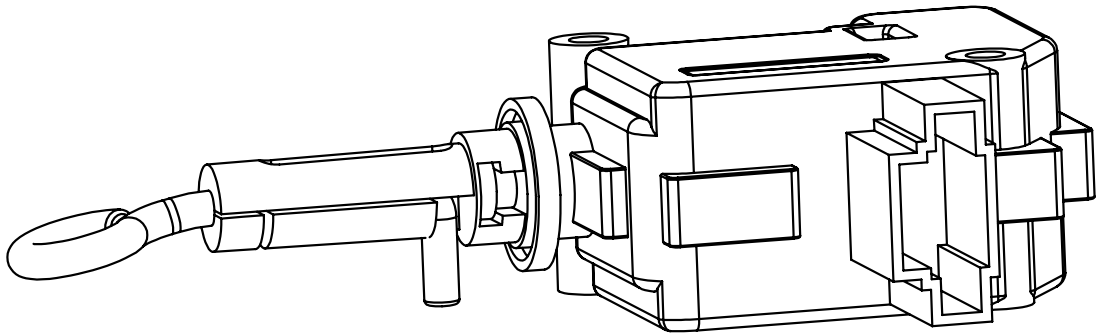
## —PARTS SUPPLIED

---

Part Description	Part Number	Quality/ Length	CHECK LIST
<b>TAIL LOCK ASSEMBLY</b>			
Main Bracket	H18-A	1	
Eyelet	H18-B	1	
Actuator	ACT-01	1	
Wiring	CL-LOOM-LONG	1	
Patch Wiring	H-PATCH	1	
<b>FASTENERS</b>			
Actuator Screws	36	2	
Push on Clips	41	1	
<b>OTHER</b>			
Cable Ties		5	
Fitting Instruction		1	

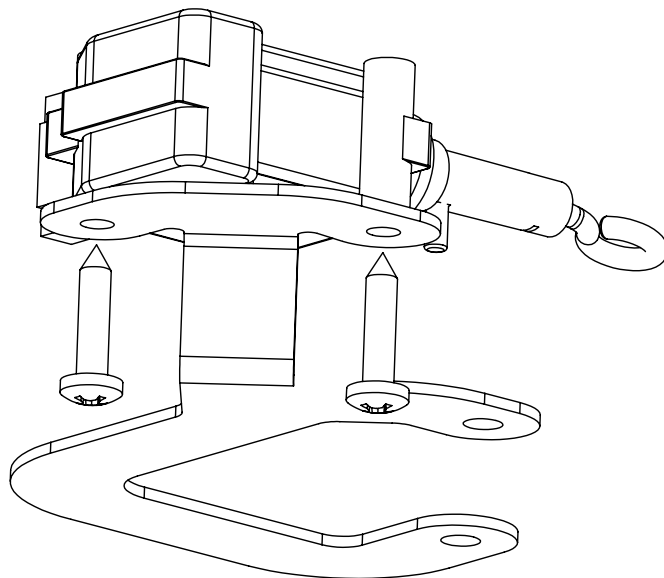
— STEP 1 —

Fit Eyelet into actuator striker.



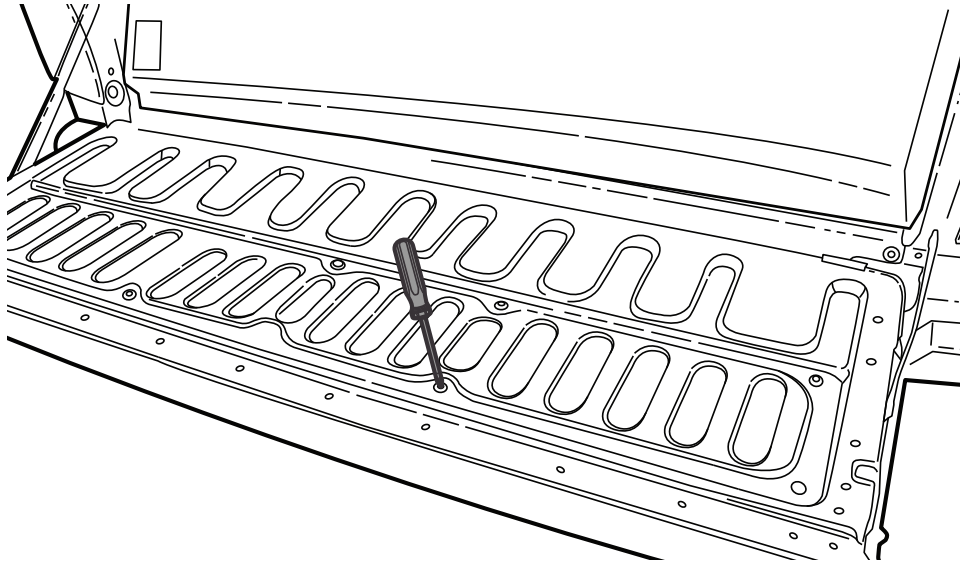
— STEP 2 —

Assemble the actuator to the TailLock bracket.



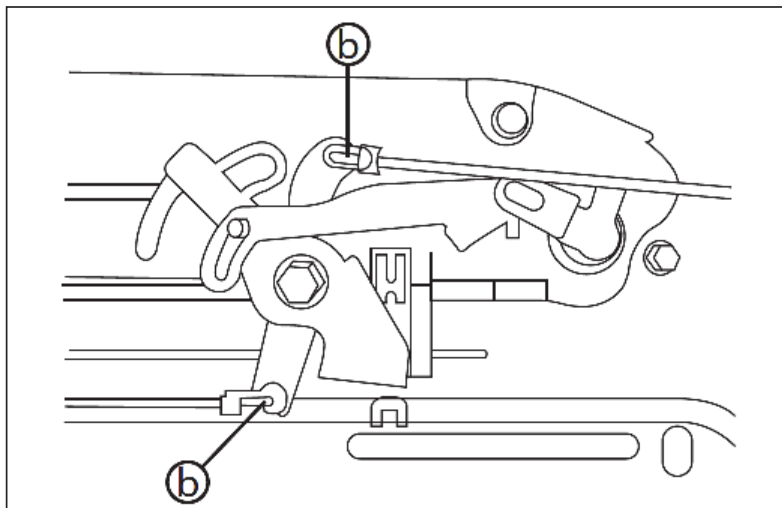
— STEP 3 —

Remove tail gate cover.



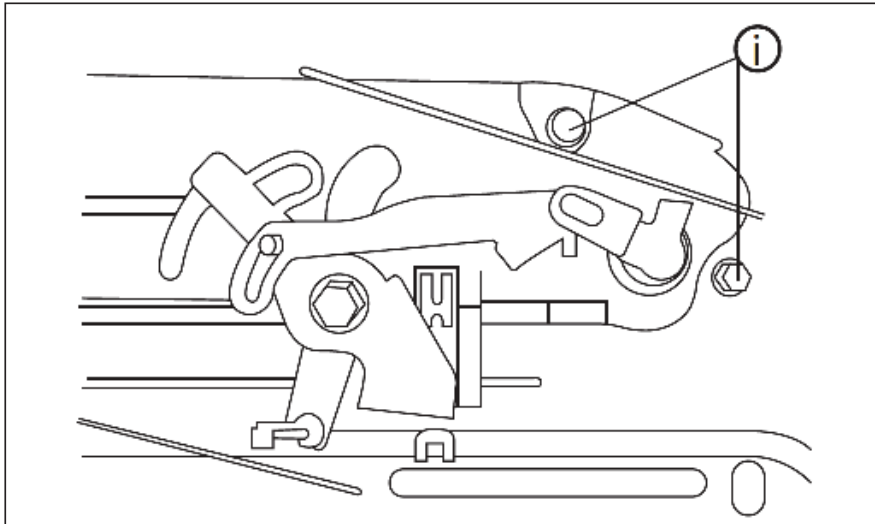
— STEP 4 —

Remove arm rods (b)



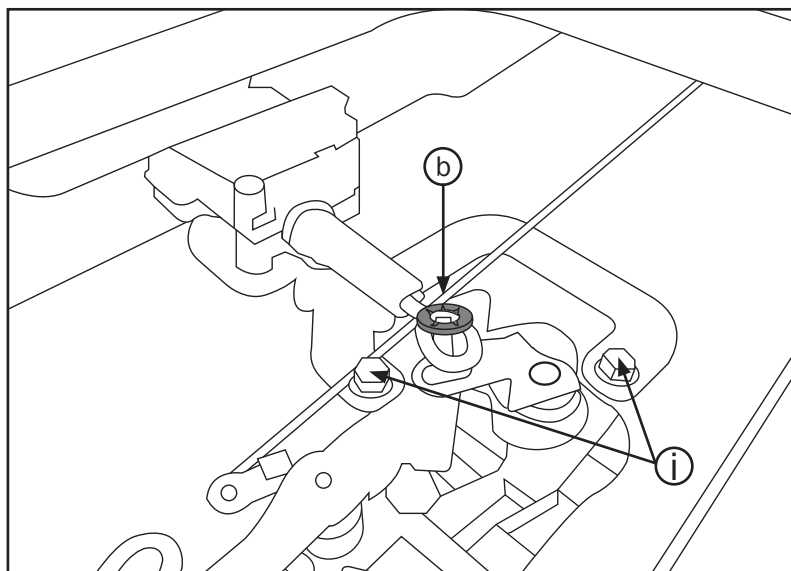
— STEP 5 —

Unfasten bolts (i)



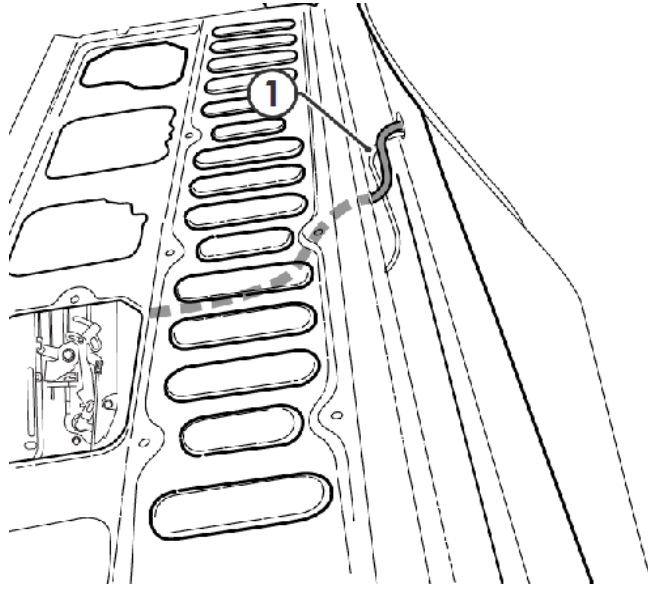
— STEP 6 —

Place TailLock assembly as shown and fasten bolts (i). Fit push on clip (b) as shown.



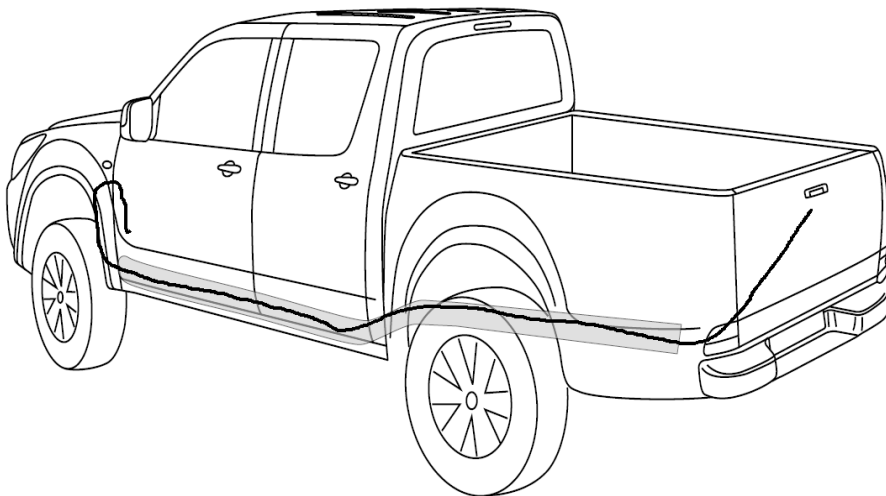
## — STEP 7 —

- 1) Plug CL - Loom-long wiring to actuator end.
- 2) Route the CL -Loom-long harness (1) out of the tailgate and underneath the vehicle.



## — STEP 8 —

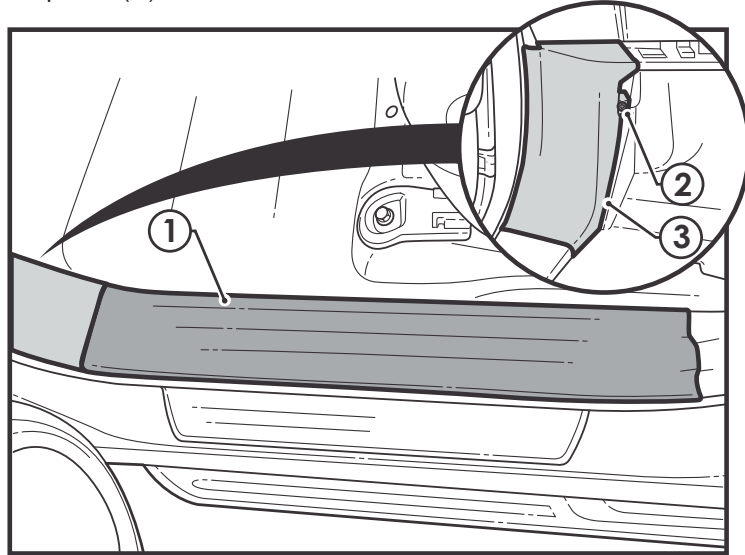
Run wiring from tailgate to front passenger side kick panel. Cable tie wiring every 500mm over chassis rail. Find the large grommet on the firewall, make a small incision & run the loom through it to enter the cab and towards the kick panel. Seal accordingly.



## — STEP 9 —

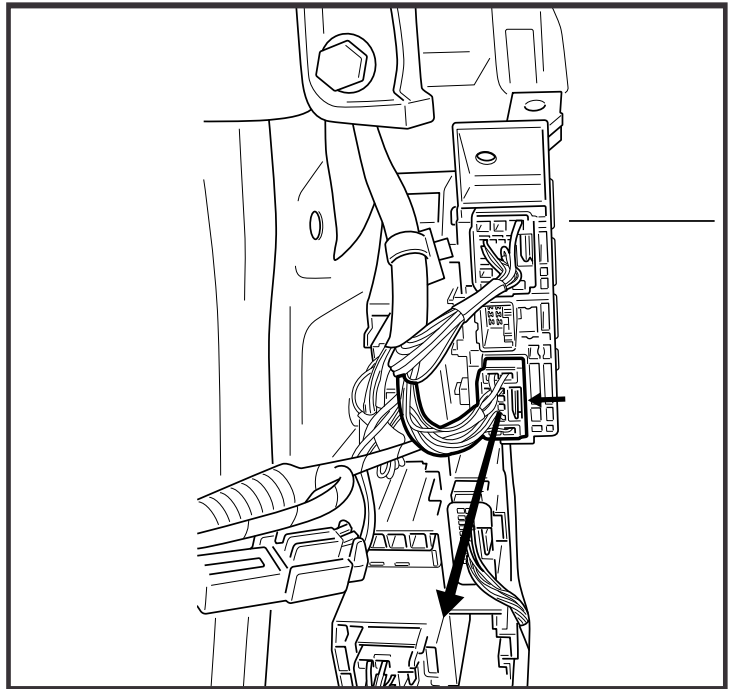
At the front passenger side foot well area:

- Remove front passenger scuff plate (1)
- Remove the kick panel trim nut (2)
- Remove the kick panel (3)



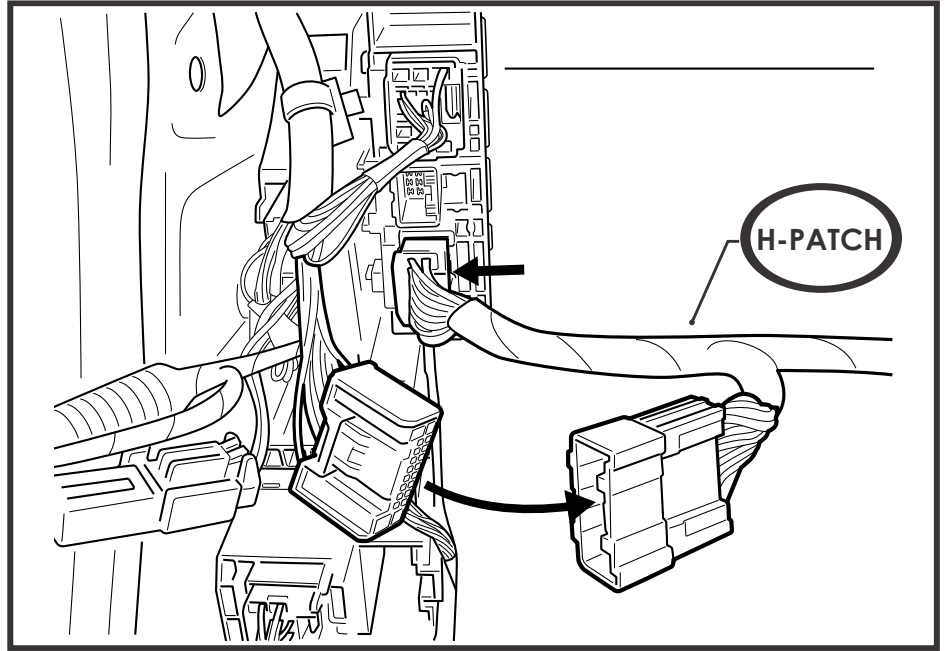
## — STEP 10 —

Disconnect 20 way connector as indicated.



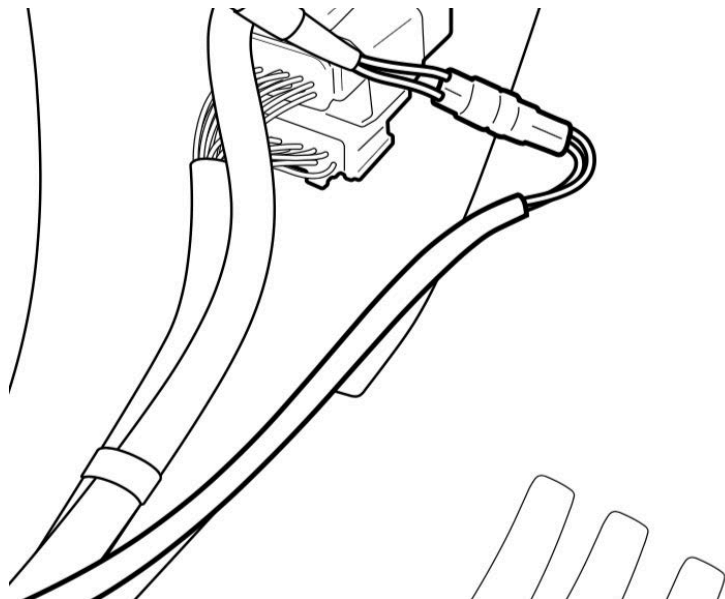
## — STEP 11 —

1. Connect H-patch 20 way male connector to vehicle's female housing.
2. Connect vehicle's 20 way connector to H-patch female housing.



## STEP 12

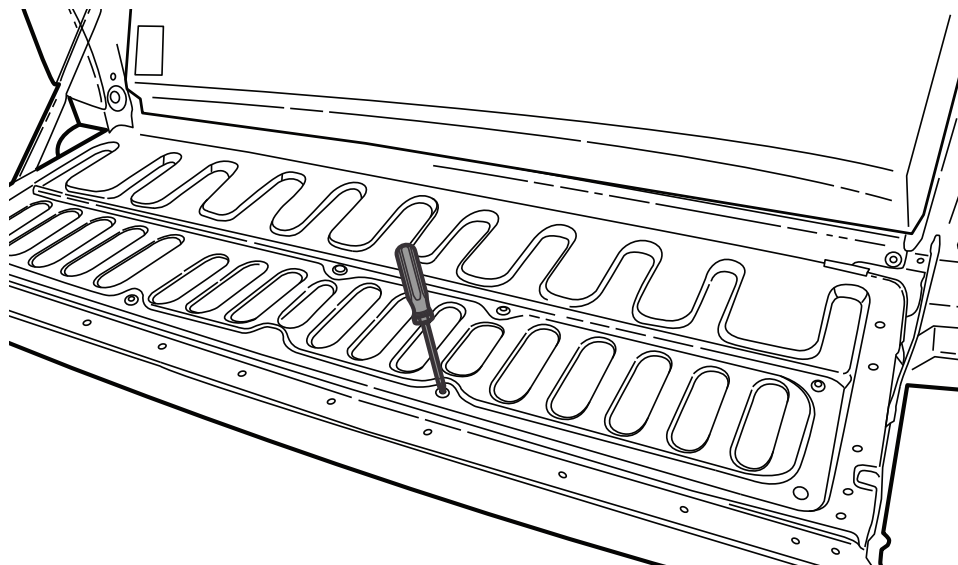
Connect H-PATCH loom to CL-LOOM-LONG





— STEP 15 —

Place and fasten tail gate cover.



— FITTING COMPLETE —