



WWW.HSPUTELIDS.COM

1300 441 498

Part No:B12

Fitting Time: 30 mins



Mazda BT50 2011+ (MY12)

HSP TAIL ASSIST

FITTING INSTRUCTIONS

—GENERAL NOTES

- Read through the fitting instructions prior to installation of accessory.
- Ensure all recyclable components and packaging are discarded and recycled following local recycling regulations.
- Safely store and protect any removed vehicle components.

—SAFETY NOTES

- Check that all work practices comply with safety standards.
- Please wear appropriate clothing and use safety equipment.

—FITTING TIME



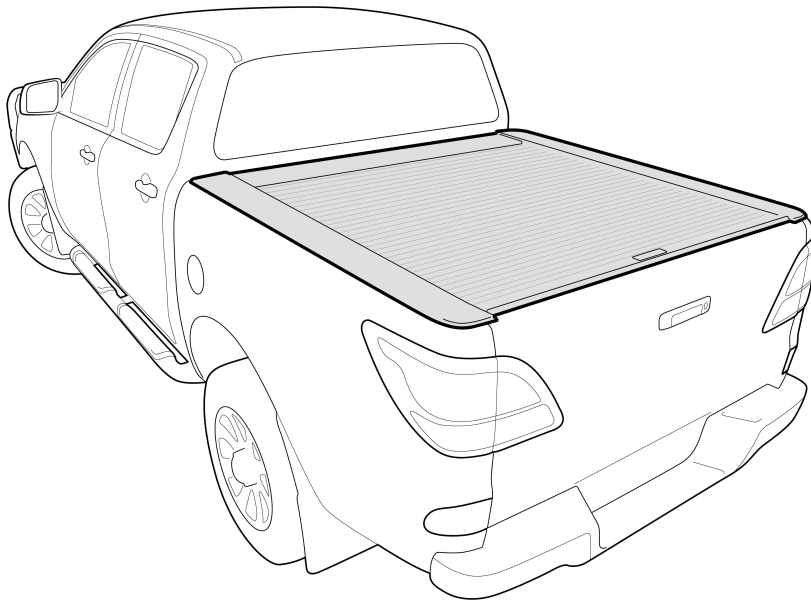
30 mins

—PARTS SUPPLIED

<u>PART NUMBER</u>	<u>PART DESCRIPTION</u>	<u>QUANTITY</u>	<u>CHECK</u>
KSD-SPEC-2	Dampener strut	1	
TRS-SPEC-2	Traction Strut	1	
TA-11RH	Tailgate mount R/H	1	
TA-11LH	Tailgate mount L/H	1	
TA-20	M8 Shoulder bolt- tub mount	2	
TA-16	Strut locking bolt	2	
	<u>NUTS AND BOLTS</u>		
21	M8 washer	2	
46	M10 x 16mm button socket black	4	
	<u>OTHER</u>		
T882	Cable stop	2	
	Alcohol wipe	1	

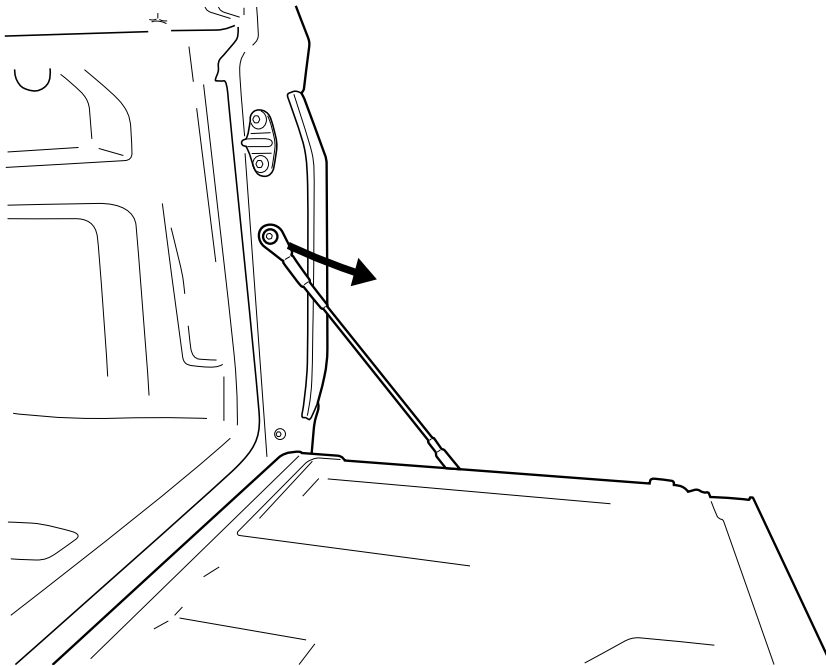
— STEP 1 —

Open tailgate.



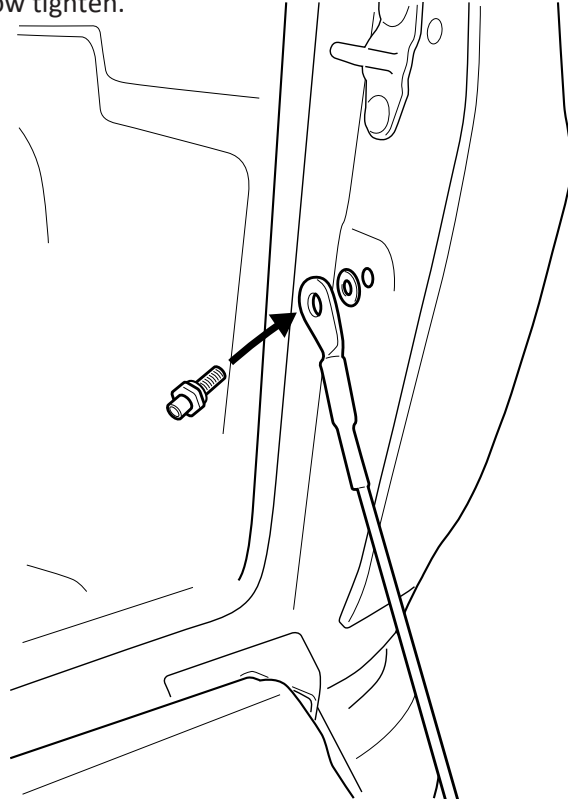
— STEP 2 —

Remove indicated bolts , and discard.



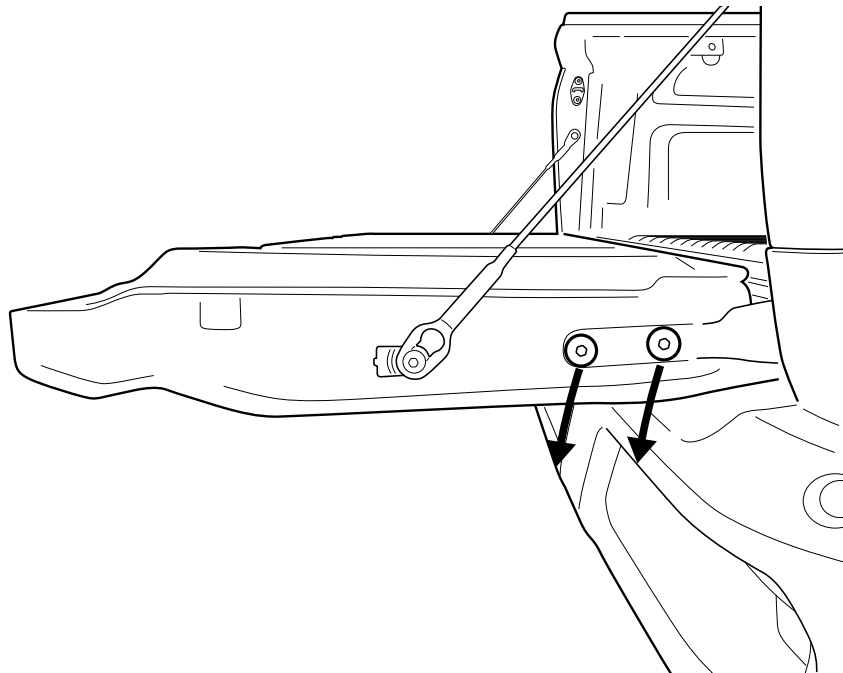
— STEP 3 —

Feed part number (TA-20) M8 shoulder bolt trough strap & followed by the m8 washer provided part number 24. Now tighten.



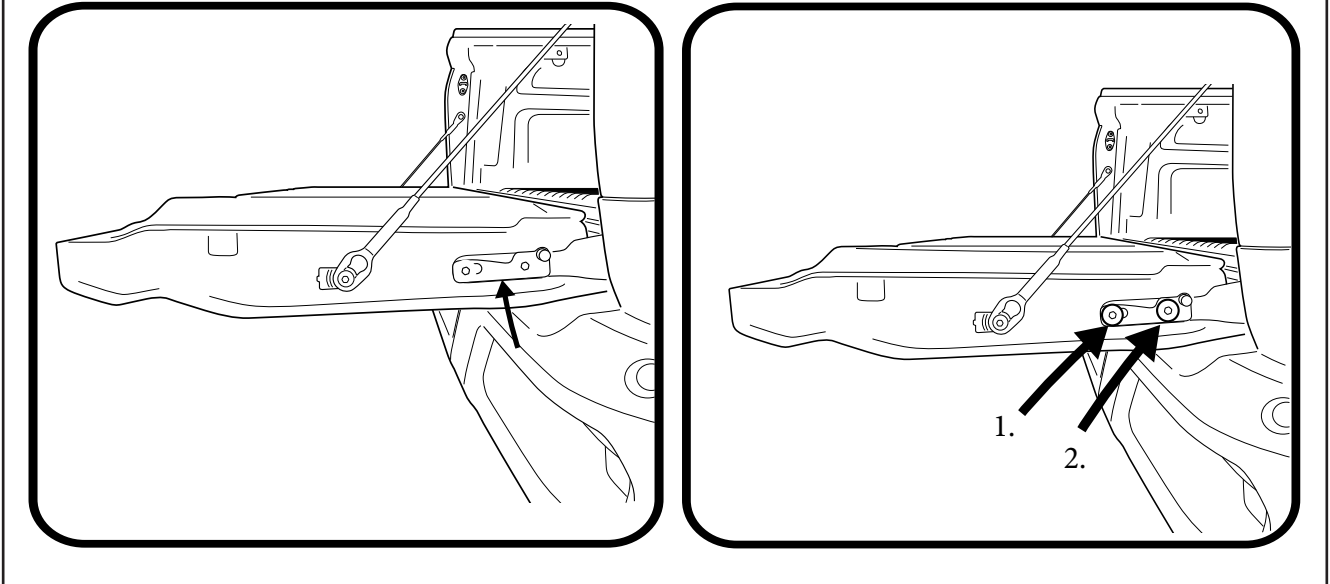
— STEP 4 —

Remove indicated bolts, and discard.



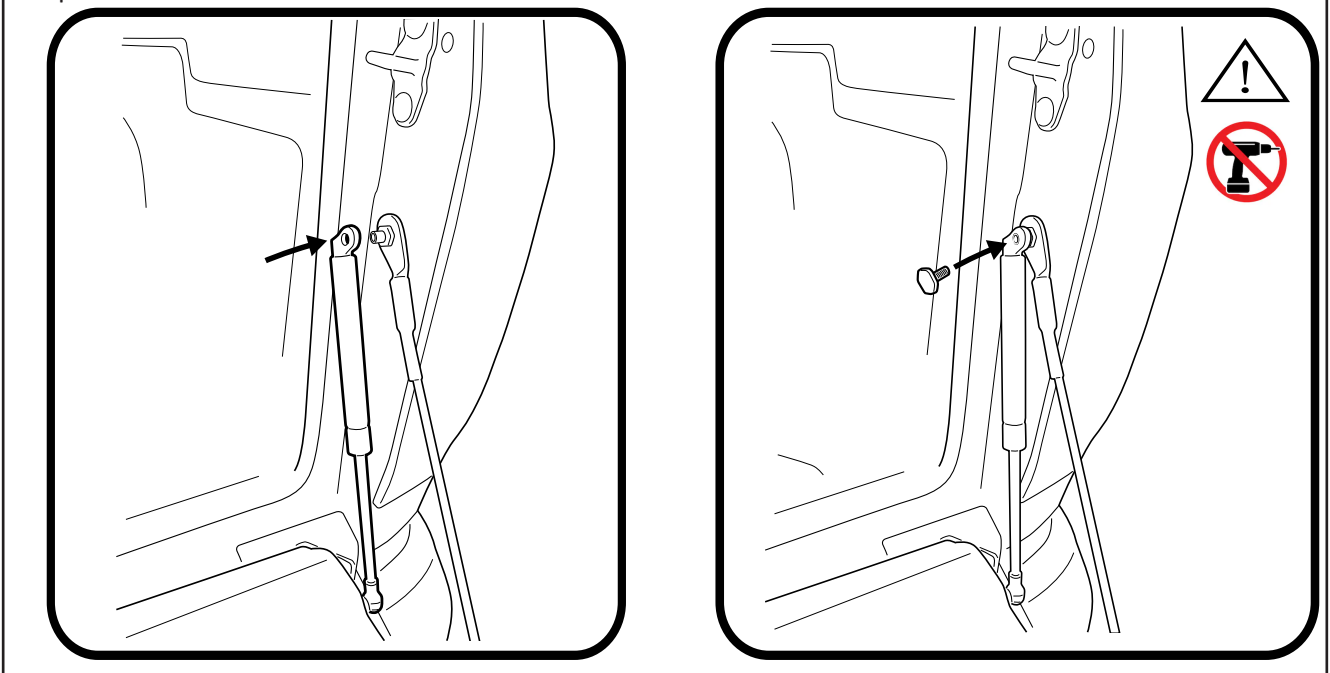
— STEP 5 —

Place bracket TA-11RH over the tailgate hinge and fasten with part number 46 (M10 x 16mm button socket black bolt) as indicated to location 1 & 2.



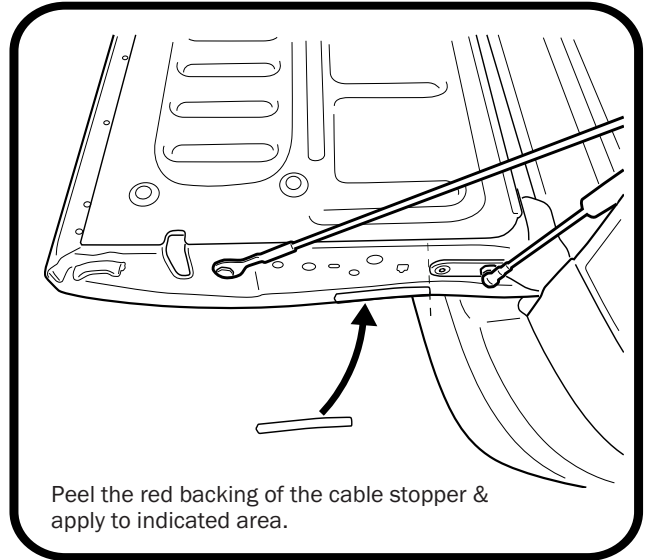
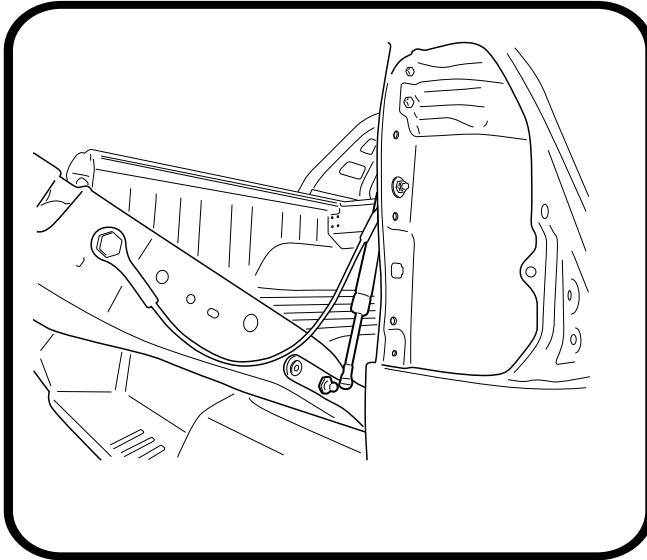
— STEP 6 —

Fit dampening strut, part number KSD cylinder end to the Shoulder of (TA-20) followed by strut locking bolt (TA-16). **NOTE:** TA-16 Should be tighten to 2nm torque, Do not use power tools for this step.



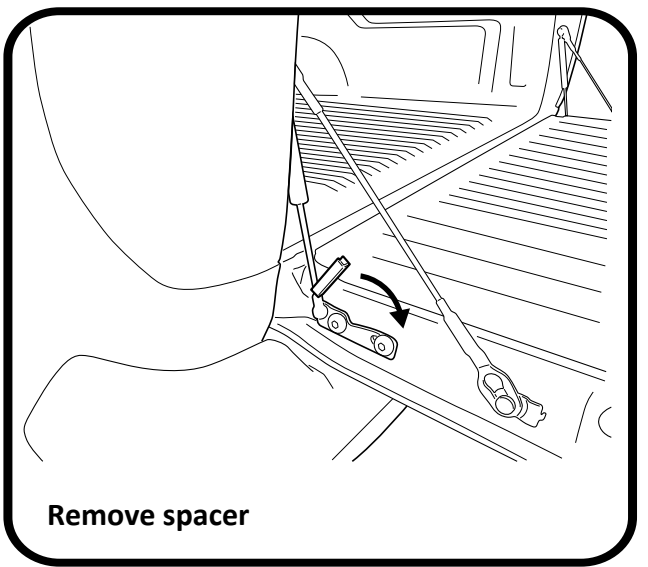
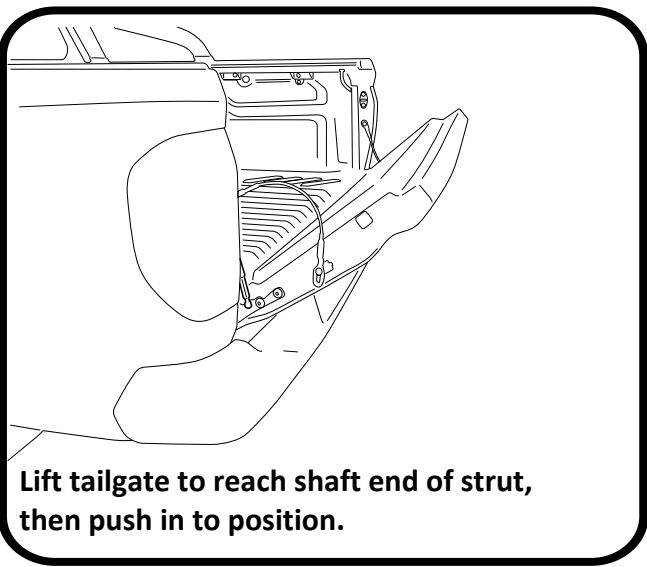
— STEP 7 —

1. Now fit the shaft end of the strut to the stud ball on the tailgate.
2. Apply cable stopper rubber as indicated. (Clean area with alcohol wipe prior to application)



— STEP 8 —

Now repeat all the above steps on the passenger side
NOTE: passenger side tailgate bracket is part number TA-11LH The passenger side Strut has a spacer which will need removing once installed.



— FITTING COMPLETE —