



www.Hsputelids.com
1300 441 498
Part No: MBT12
Fitting Time: 30 mins

The 'Tail Assist' logo. It features a red hand icon with fingers spread, reaching towards the left. To the right of the hand, the word 'Tail.' is written in a black, sans-serif font. Below 'Tail.', the word 'Assist' is written in a larger, bold, black, sans-serif font. The 'A' in 'Assist' is black, while the 'SS' is red, matching the hand icon.

MAZDA BT-50 (MY21) 07/2020 + , SERIES 3

HSP TAIL ASSIST

FITTING INSTRUCTIONS

—GENERAL NOTES

- Read through the fitting instructions prior to installation of accessory.
- Ensure all recyclable components and packaging are discarded and recycled following local recycling regulations.
- Safely store and protect any removed vehicle components.

—SAFETY NOTES

- Check that all work practices comply with safety standards.
- Please wear appropriate clothing and use safety equipment.

—FITTING TIME



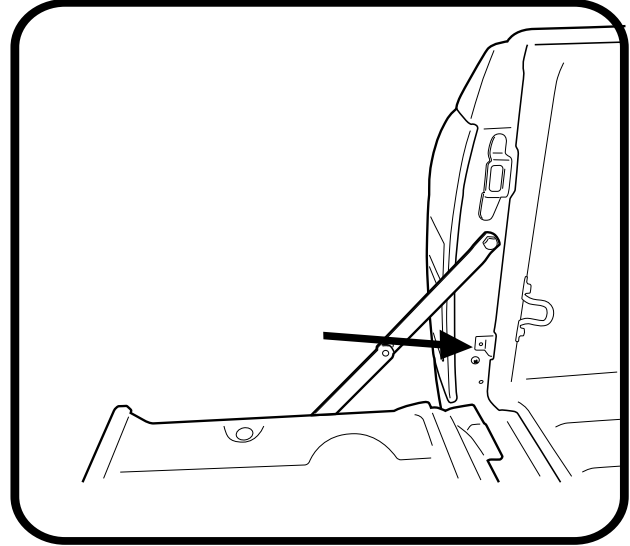
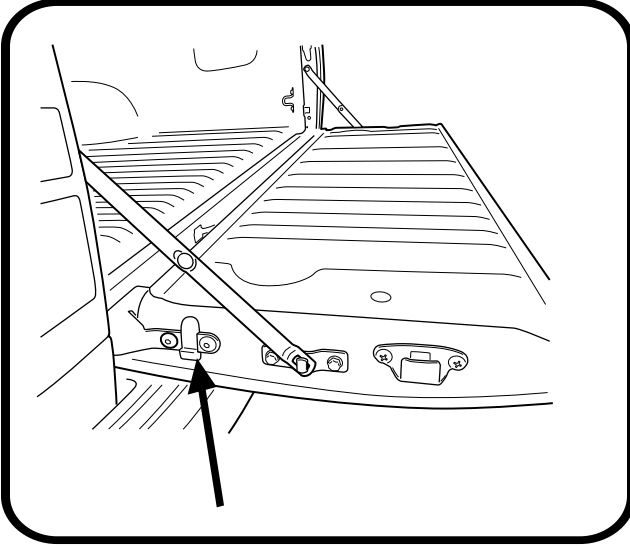
30 mins

—PARTS SUPPLIED

<u>PART NUMBER</u>	<u>PART DESCRIPTION</u>	<u>QUANTITY</u>	<u>CHECK</u>
KSD-SPEC-2	Dampener strut	1	
TRS-SPEC-2	Traction strut	1	
TA-23	Low hex head bolt	1	
TA-24	Tailgate M8 ball bolt	1	
TA-10RH	Tailgate mount R/H	1	
TA-15	M8 Shoulder bolt-tub mount	2	
TA-16	Strut locking bolt	2	
CB1	Tailgate cable	2	
	<u>OTHER</u>		
	Alcohol wipe	1	
T882	Cable stop	2	

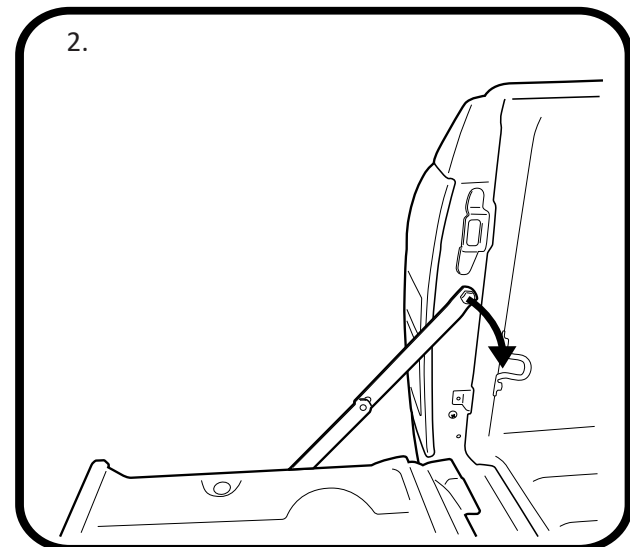
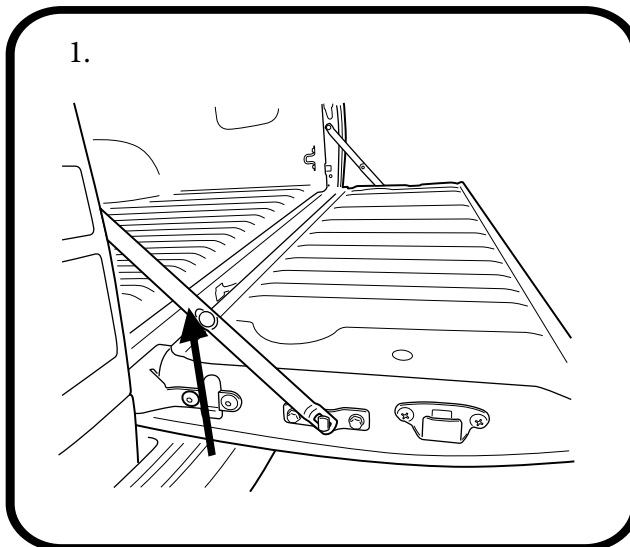
—STEP 1—

Open tailgate. Then remove the indicated rubber stops and discard.



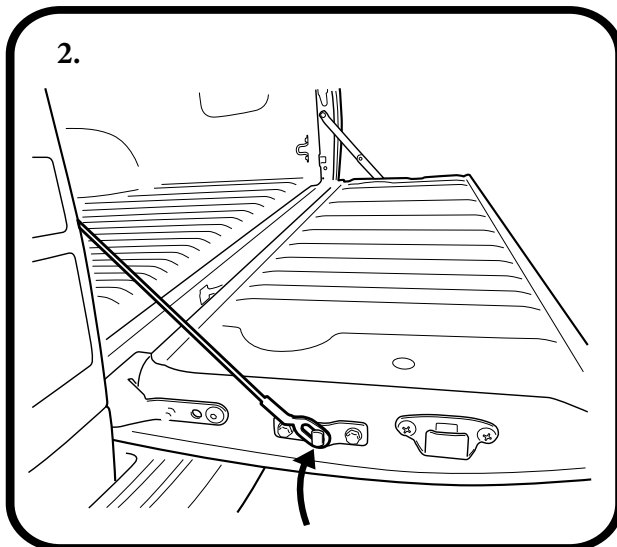
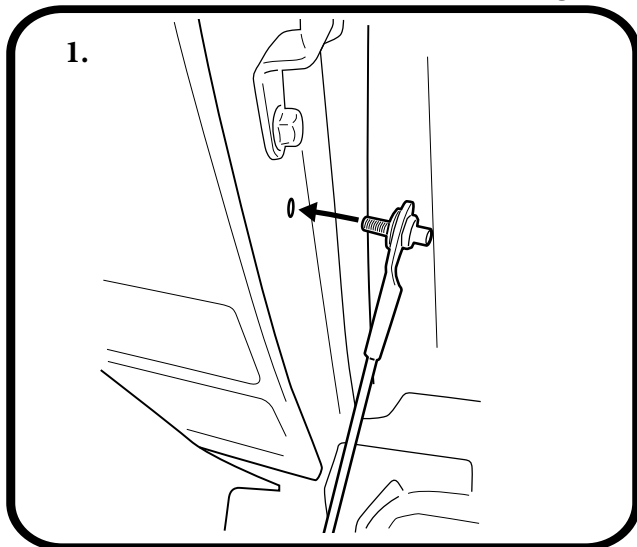
—STEP 2—

1. If the ute is fitted with a steel hinge, it will need to be removed and discarded.
2. Discard the shoulder bolt & washers, when removing the steel hinge.



— STEP 3 —

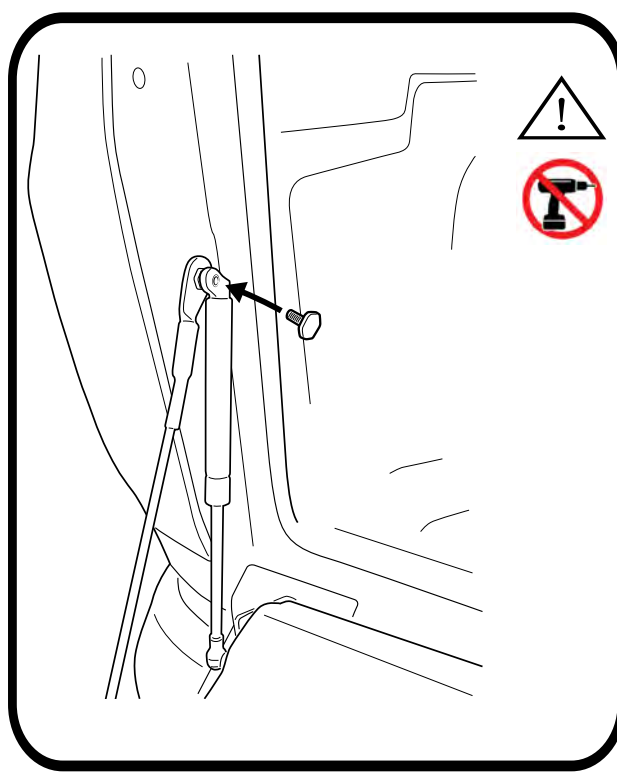
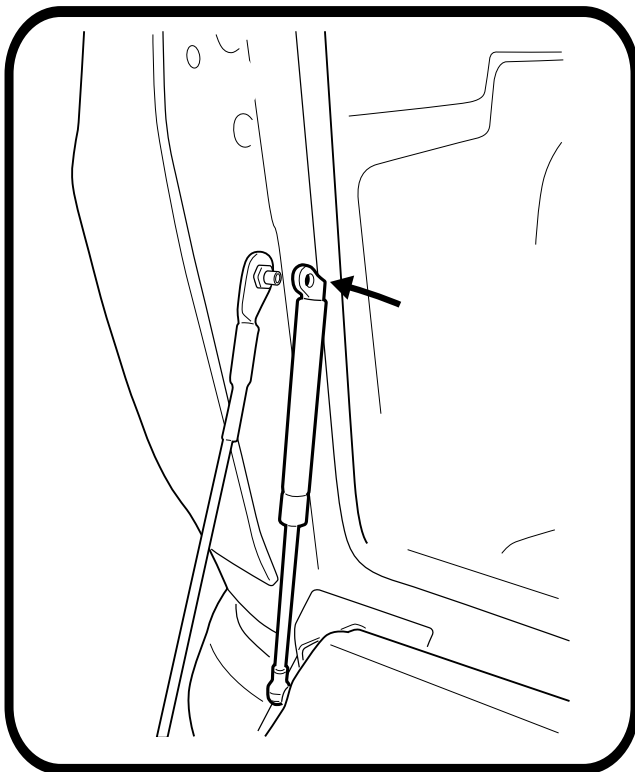
1. Feed part number(TA-15) M8 shoulder bolt trough strap (Cb1) . Now fasten to same location to where the steel bracket shoulder bolt came out of.
2. Hook the slotted end of the cable to the tailgate bracket as indicated.



Now repeat the step on the driver side.

— STEP 4 —

Fit dampening strut, part number KSD-spec-2 cylinder end to the Shoulder of (TA-15) followed by strut locking bolt (TA-16) . **NOTE:** TA-16 Should be tighten to 2nm torque, **Do not use power tools** for this step. (small amount of Loctite is recommended)

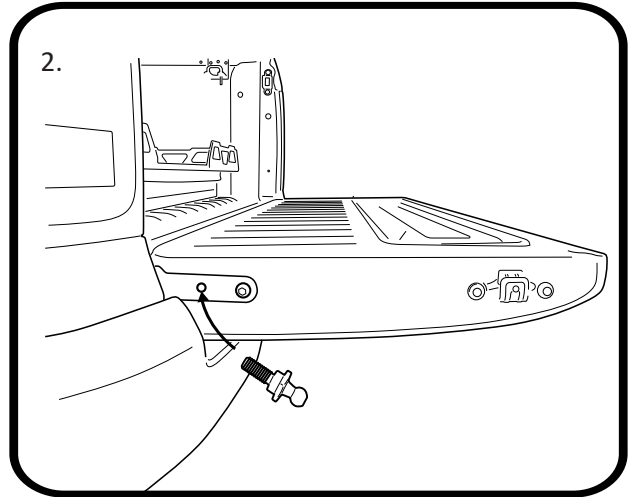
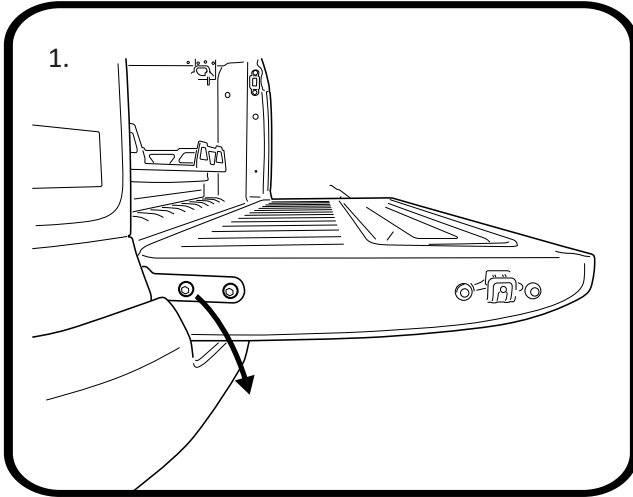


—STEP 5—



Passenger side

1. Remove indicated bolt, and discard.
2. Feed M8 ball bolt (TA-24) to indicated location, tighten to 4nm torque.

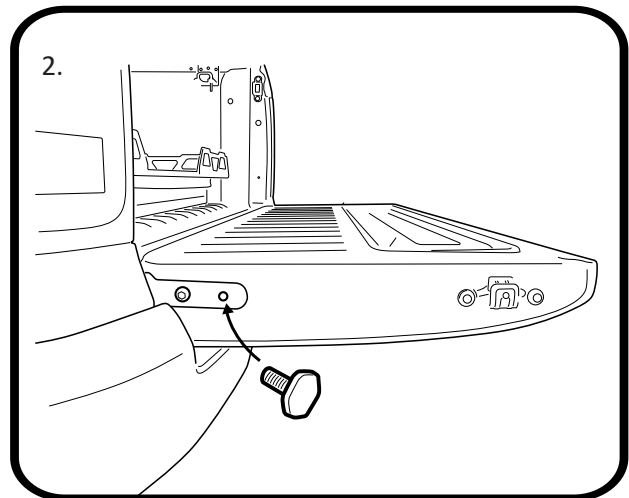
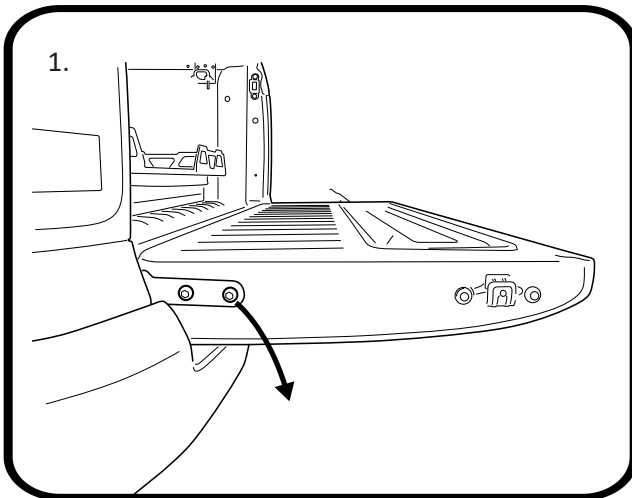


—STEP 6—



Passanger Side.

1. Remove indicated bolt, and discard.
2. Feed low head M8 bolt (TA-23) to indicated location, tighten to 4nm torque.

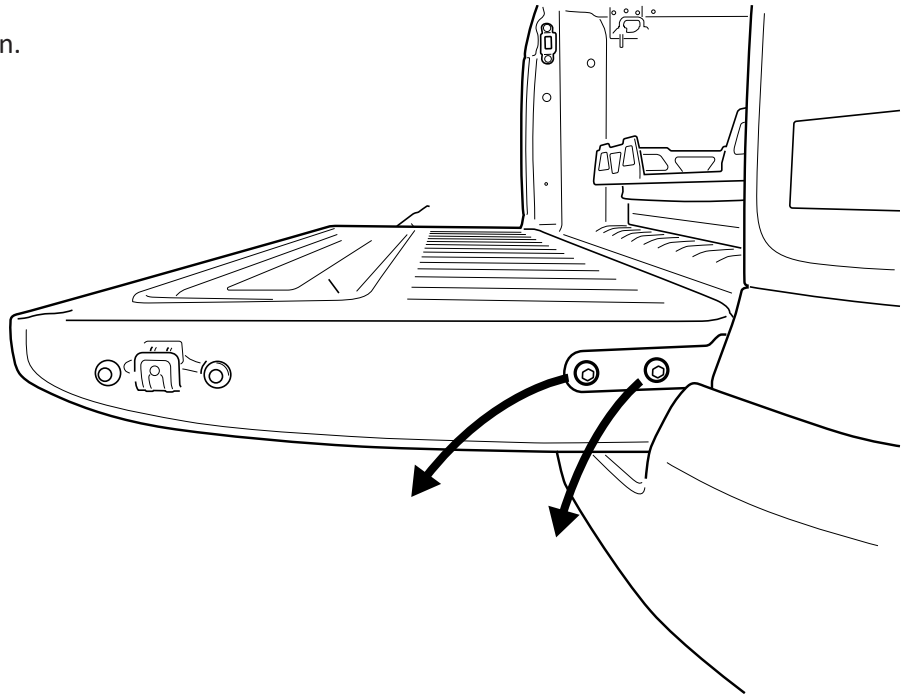


—STEP 7—



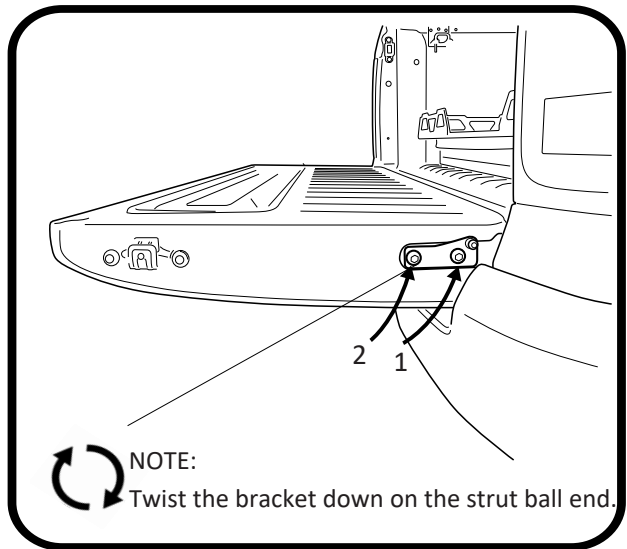
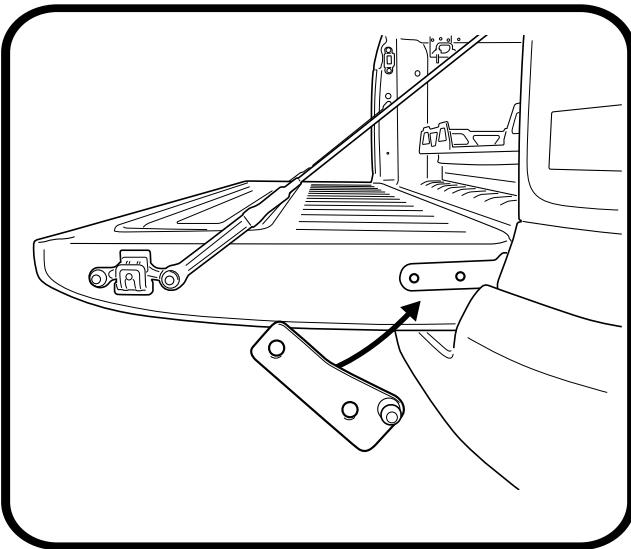
Drivers side

Remove indicated bolts, and retain.



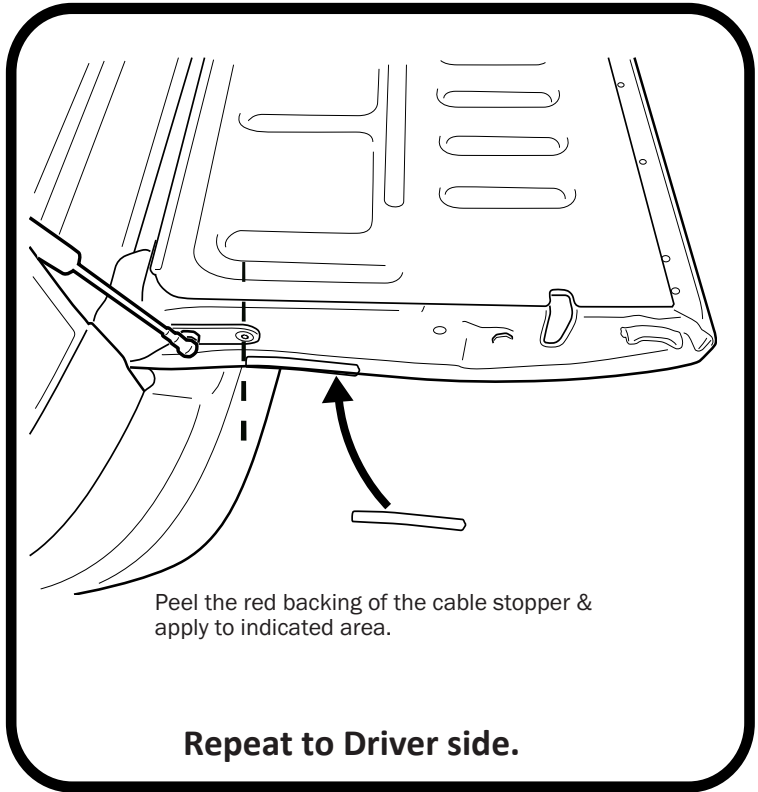
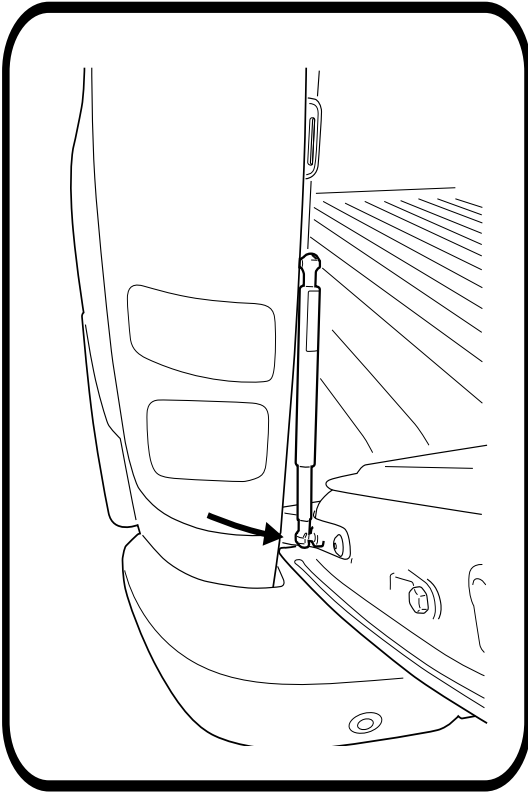
NOTE: Care must be taken not to loose alignment of the tailgate.

Place bracket TA-10LH over the tailgate hinge and fasten with retained factory bolt to location 1 & 2.



—STEP 8—

Now fit the shaft end of the strut to the stud ball on the tailgate.



—STEP 9—

NOTE: The driver side Strut (part number TRS) has a spacer which will need removing once installed.

