

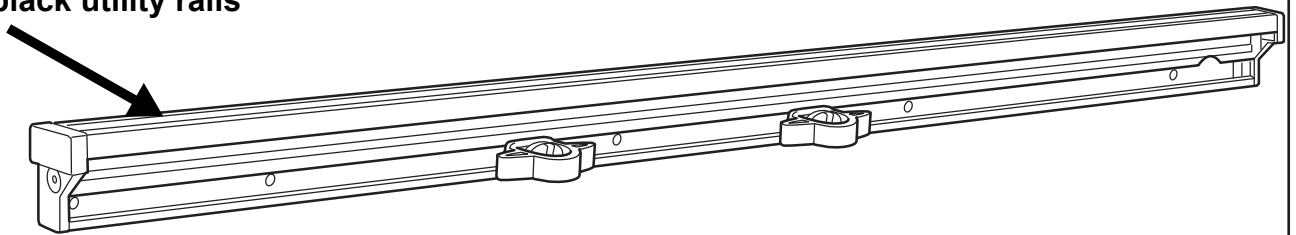


INSTALLATION INSTRUCTIONS

**DS RAM BOX 1500 CREW CAB MY13 - MY19
SHORT BED 5'7".
Fitted with black utility rails.**



Mopar black utility rails



INSTALLATION TIME: 3 hours minutes (Approximately)

IMPORTANT	<ul style="list-style-type: none"> • Do not stand/sit or rest heavy objects on Roll R Cover • Humans or animals are not to be under the closed cover at any given time • Tonneau Cover is not dust or water tight • If contact with volatile chemicals occur, clean Cover with mild detergent and water solution 		
Care Instructions	<ul style="list-style-type: none"> • Read Instructions fully before commencing installation. • Clean Cover with a mild detergent and water solution • Do not use abrasive cleaners or solvents • Refer to manufactures instructions applicable to power drill. • Protect Tub floor against scratches during installation process. 		
Maintenance	Refer to Maintenance instructions.		
Tools Required	<ul style="list-style-type: none"> • Pen / Marker • Centre Punch • Drill & Drill bits • Caulking Gun • Silicon - Non Acetic 	<ul style="list-style-type: none"> • Scissors & Knife • Spanner & Socket • Tape measure • Holesaw • Filing tool 	<ul style="list-style-type: none"> • Soapy water solution • Allen Key set • Screw driver • Rust Inhibitor • Trim Removal Tool

PERSONAL PROTECTIVE EQUIPMENT:



Rubber Gloves




Goggles

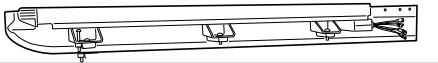


Hearing Protection


BOX CONTENTS

LEFT & RIGHT SIDE RAIL


S2.5-DC-AE-002ps-DSRB4R 

S2.5-DC-AE-003ds-DSRB4R 




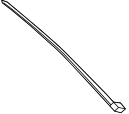

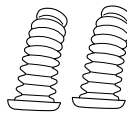
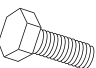


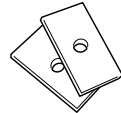

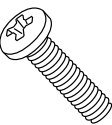
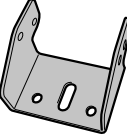
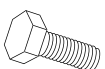





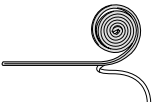
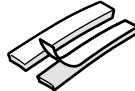
CANISTER ASSEMBLY

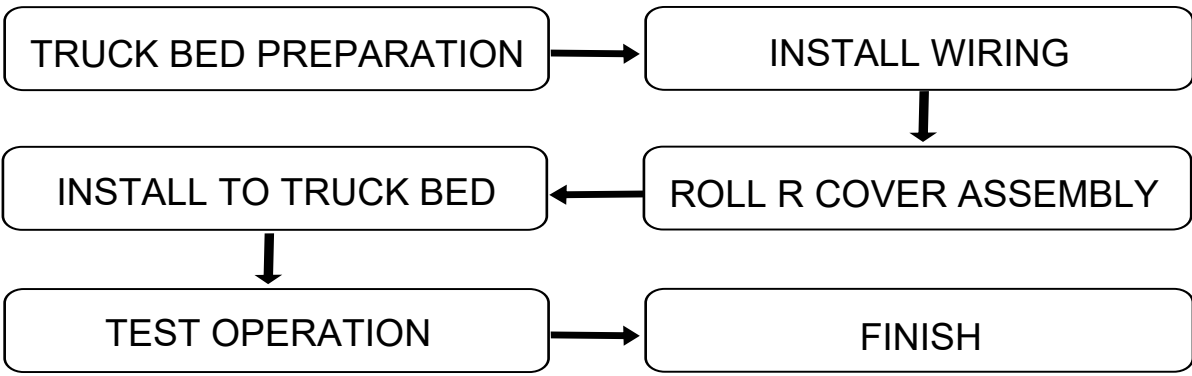


S3-XC-AF-001/002_RB4

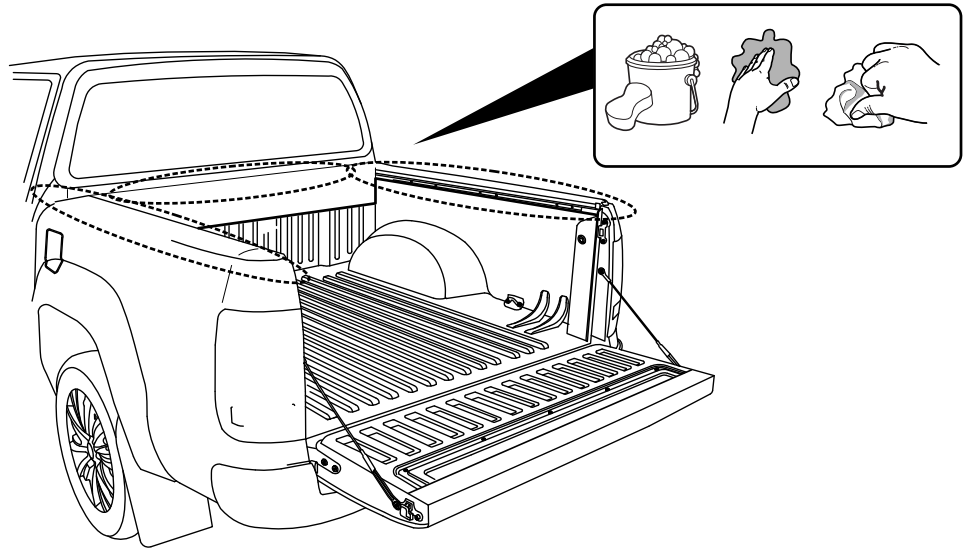
CANISTER TOP COVER  **S2.5-DC-AE-005 -RB**

SPECIFIC KIT DSRB4

<p>COVER END CAPS</p>  <p>S2.5-DC-PI-004ps</p>  <p>S2.5-DC-PI-004ds</p>	 <p>COUNTERSUNK SCREW Qty - 4</p>	 <p>CABLE TIE Qty x 16</p>	 <p>BATTERY LOOM S2.75</p>	 <p>Drainage pipe Qty - 2</p>
 <p>M8 x 20mm Qty- 6</p>	 <p>M8 WASHER Qty - 6</p>	 <p>M8 SPRING WASHER Qty - 6</p>	 <p>Chanel nut Qty- 6</p>	 <p>Rear Drainage pipe Qty - 2</p>
 <p>M6 x 40mm Qty- 2</p>	 <p>CLAMP BRACKET (13) QTY 6</p>	 <p>M6 x 16mm Qty- 24</p>	 <p>M6 SPRING WASHER Qty - 24</p>	 <p>M6 NUT Qty - 24</p>
 <p>3M PRIMER Qty - 2</p>	 <p>CL-LOOM-LONG</p>	 <p>DS-PATCH</p>	 <p>Foam seal Qty - 1.7m</p>	 <p>50449 D-SPONGE Qty-4</p>



Clean area as indicated.

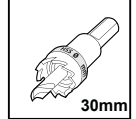
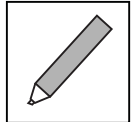
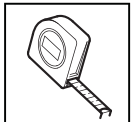
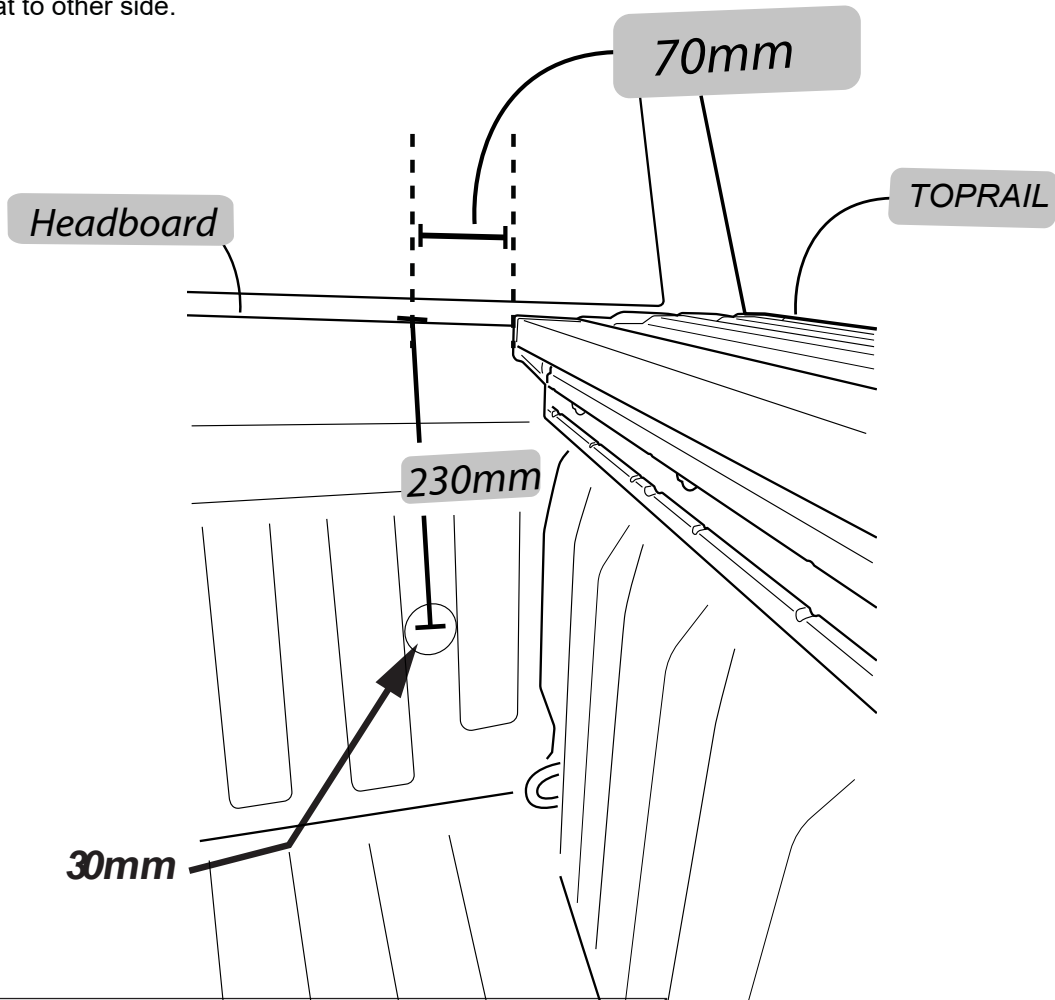


Water drainage holes



DRIVERS SIDE (RHS) OF BED SHOWN)

Measure down from top of headboard 230mm & 70mm measuring from the side of the top rail.
Repeat to the other side.
Using a 30mm hole-saw drill through tub front panel, file away any sharp edges. Apply anti rust coating. Repeat to other side.



ATTENTION: Do not exceed 30mm hole.

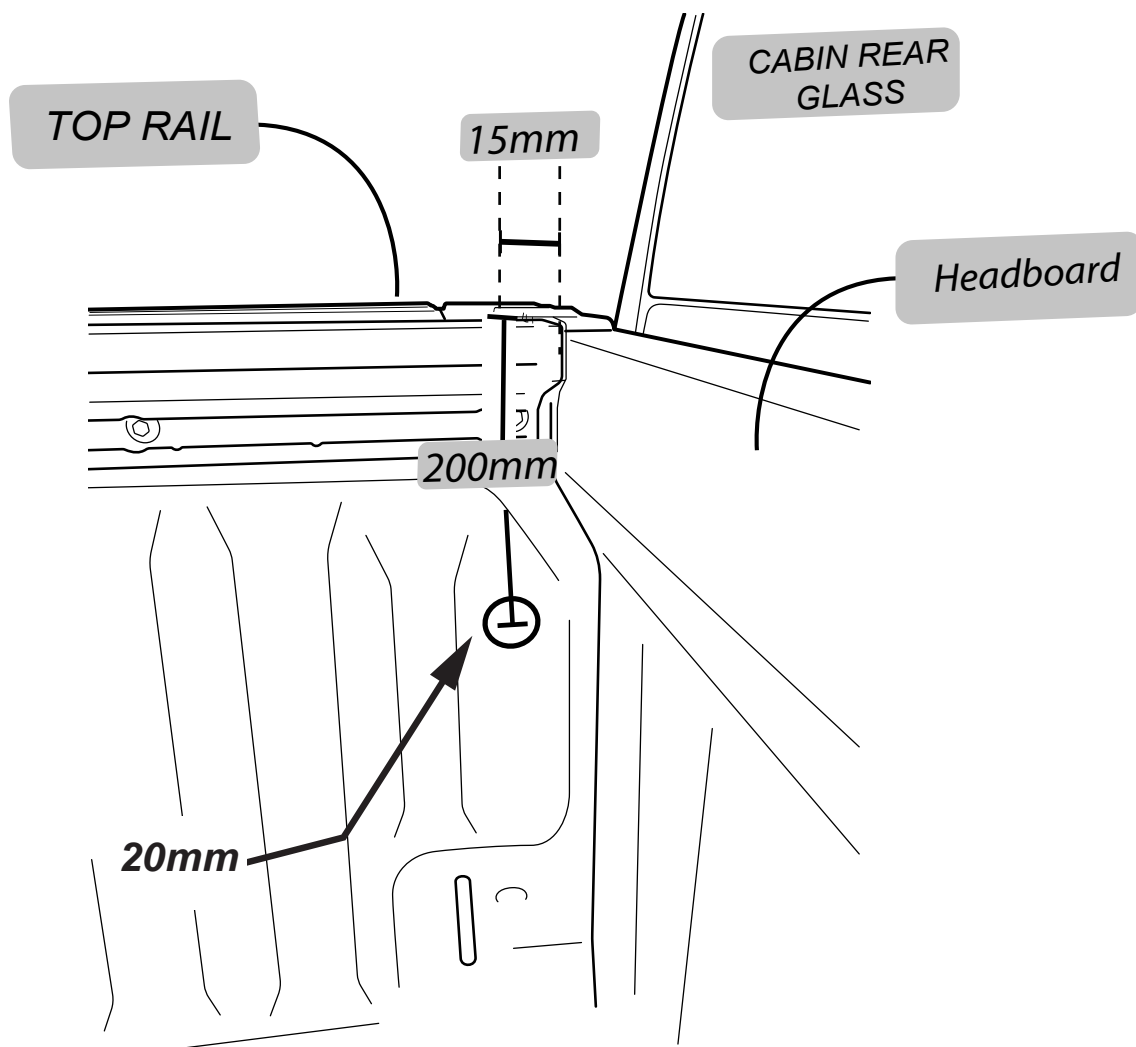
Wiring loom cavity hole.



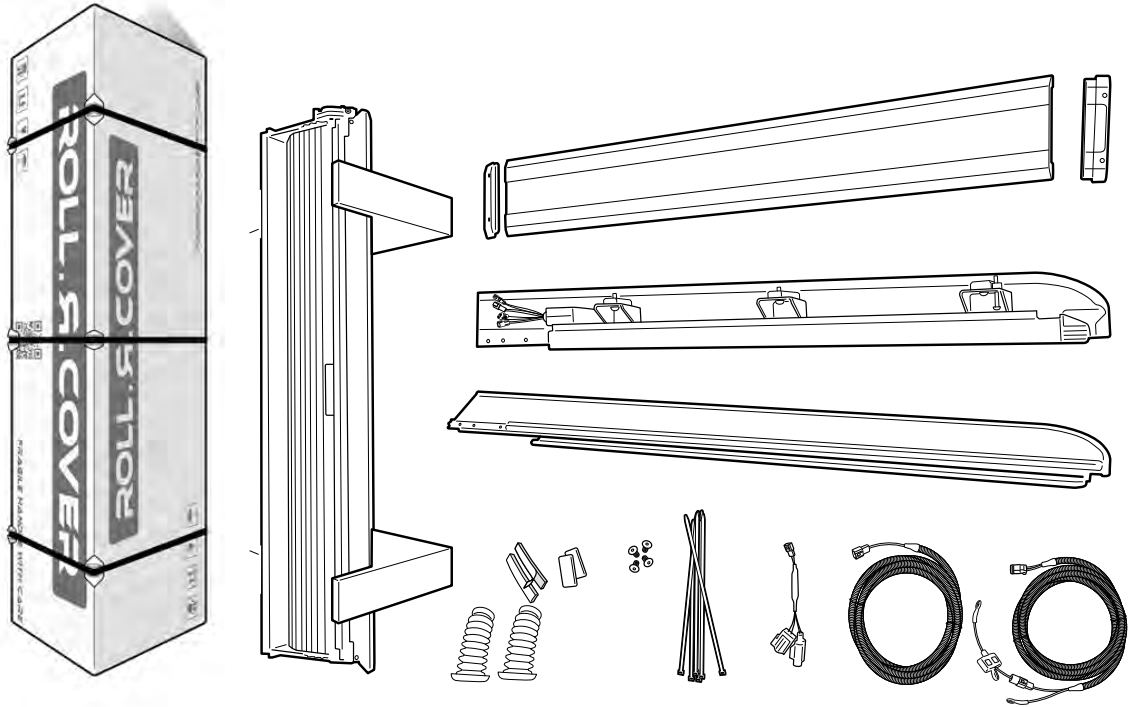
PASSANGER SIDE (LHS) OF BED SHOWN)

Measure down from top of bed top rail 200mm & 15mm measuring from the inside of edge of the headboard.

Using a 20mm hole-saw drill through tub side panel, file away any sharp edges. Apply anti rust coating.



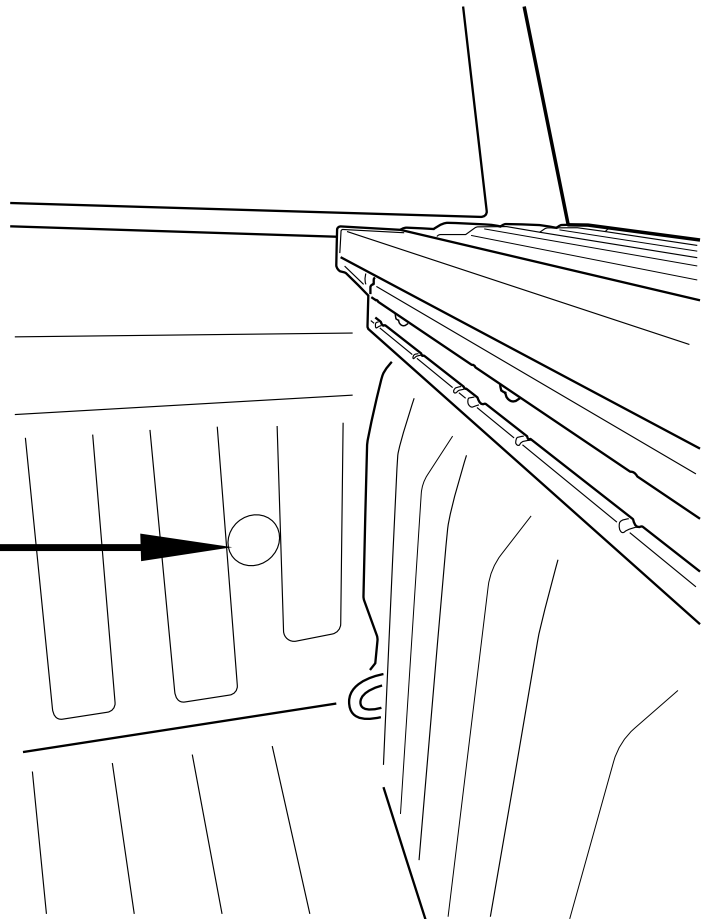
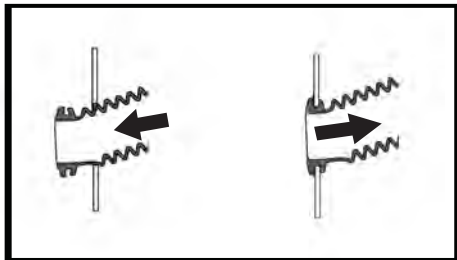
Carefully unpack the box.



Install front drain pipes (55mm diameter end of hose)
through pre-drilled holes on the front tub panel.

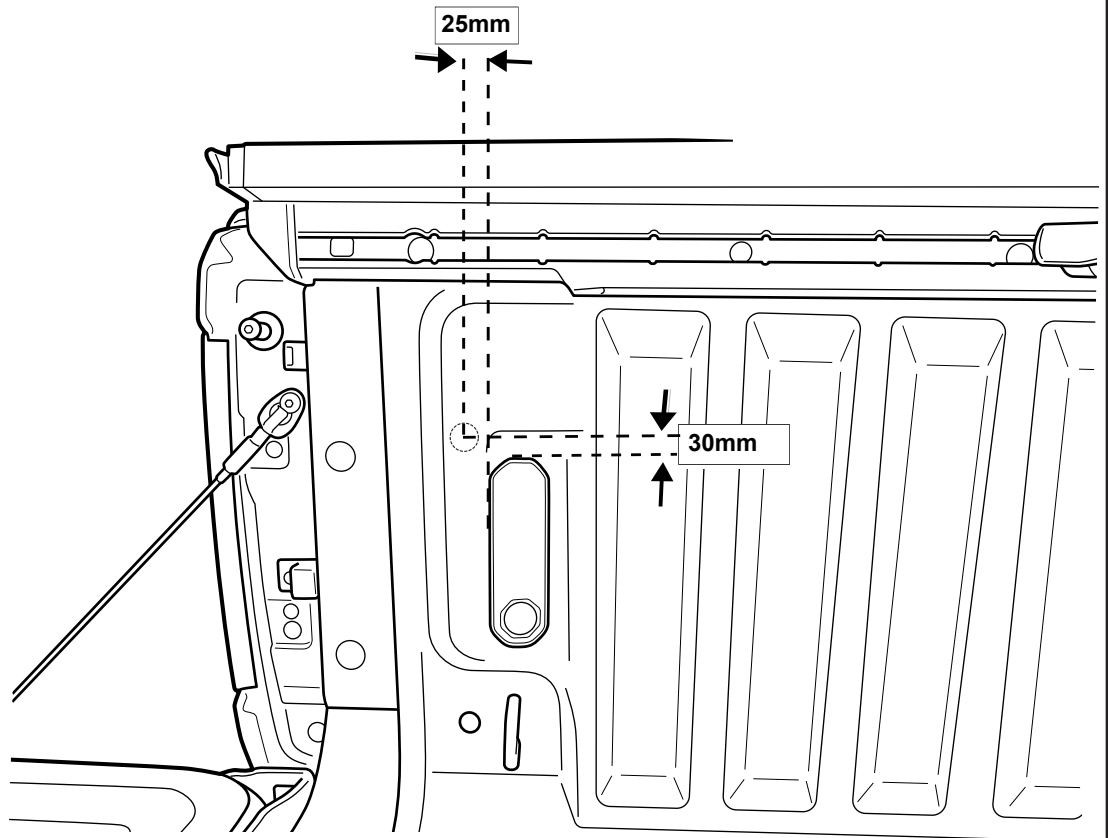
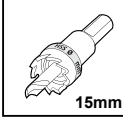
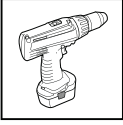
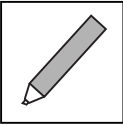
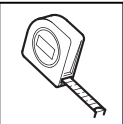


Note: With care push tube in.
Taking care pull the tube back so it seals
correctly against the front panel of the tub.



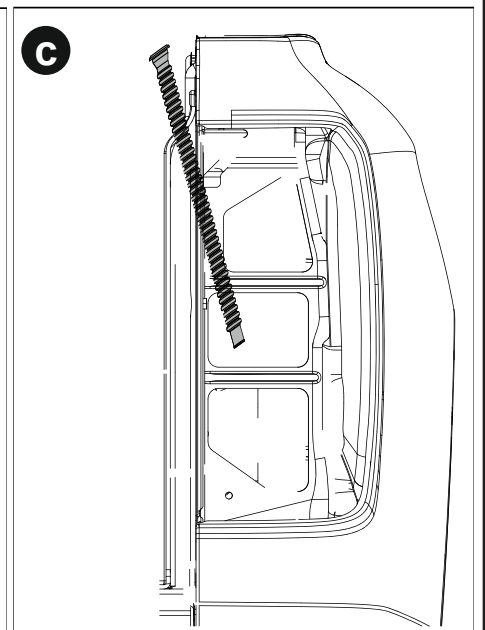
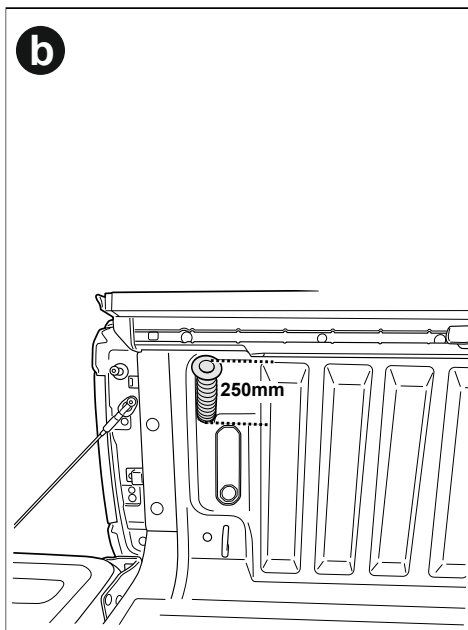
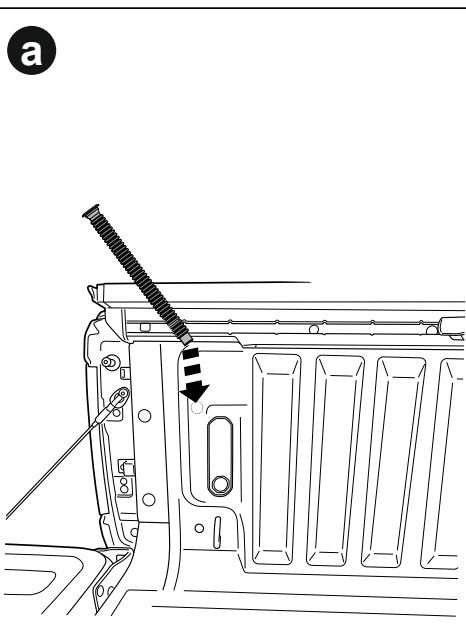
Measure 25mm towards the tailgate of tub from the edge of the tub light as indicated. Measure up 30mm from the top edge of the tub light as directed and make a mark.

Use a 15mm hole-saw to drill through the tub pillar, and file away any sharp edges. Apply an anti-rust coating. Repeat the same steps on the other side.

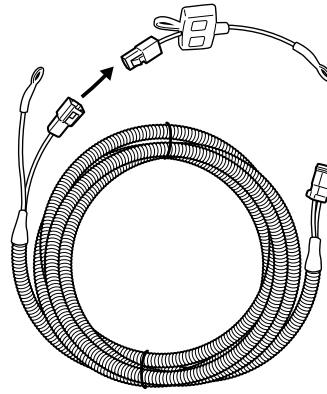


ATTENTION: Do not exceed 15mm hole.

- a** In the specified orientation insert the rear drainage pipe into the previously drilled hole.
- b** Leaving 250mm of the pipe hanging out.
- c** Check the tail light cavity to ensure there are no obstructions to the drainage pipe. Repeat to the other side.
Re-fit the tail lights.

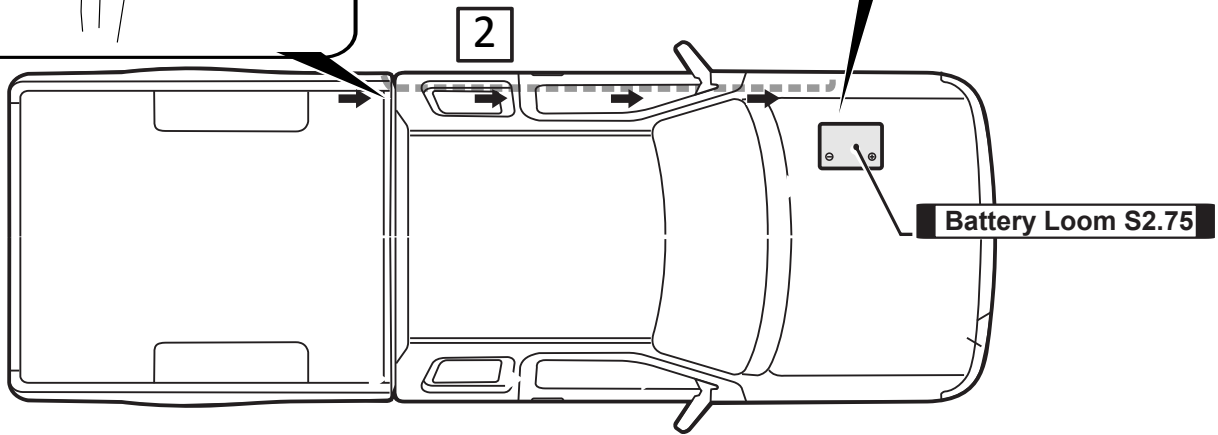
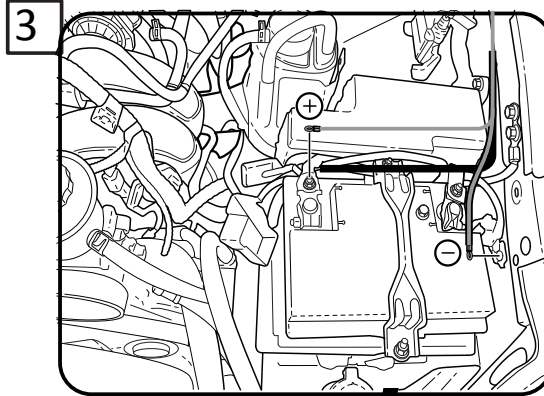
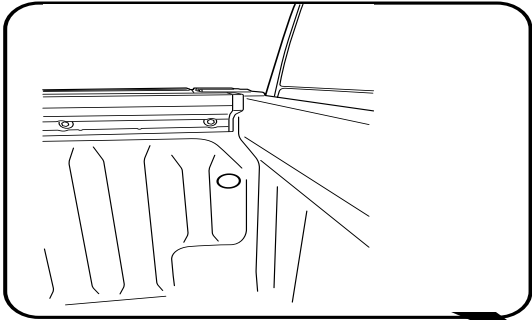


Disconnect fuse patch from battery loom S2.75.



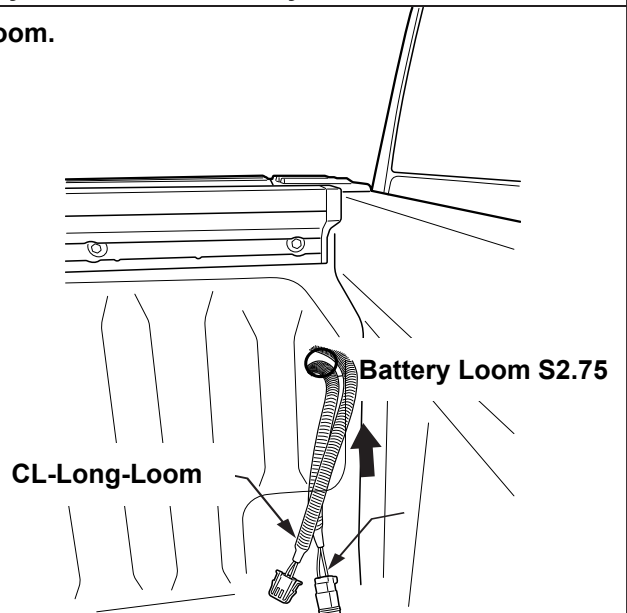
Wiring Harness steps

- 1 Feed Battery loom and CL - loom - long through passenger side hole drilled out earlier.

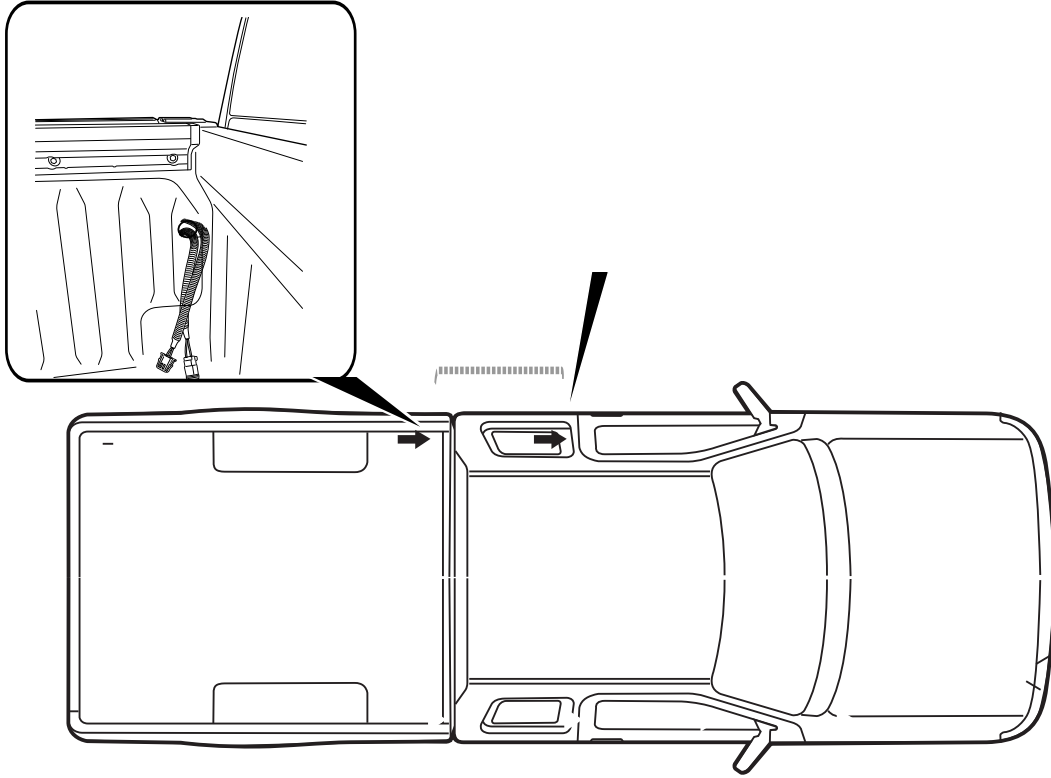


Run the wiring from the front of tub side wall (leaving 200mm in the tub) to the battery over the chassis rail. Making sure to keep away from hot obstructions and cable tie every 400mm. Reconnect fuse patch to battery loom S2.75, now attach fuse patch to positive of battery and earth to the body of the Ute.

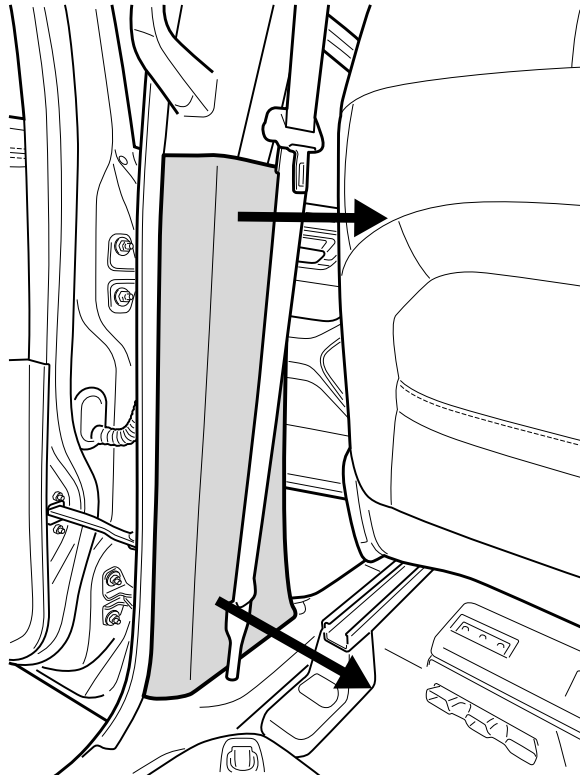
Feed CL-LONG-Loom through the same hole used for battery loom.



Run wiring from bed to passenger side B pillar Cable tie wiring every 500mm over chassis rail. Locate floor grommet under the rear passenger seat, make a small incision & run the loom through it to enter the cab and towards B pillar. Seal accordingly.

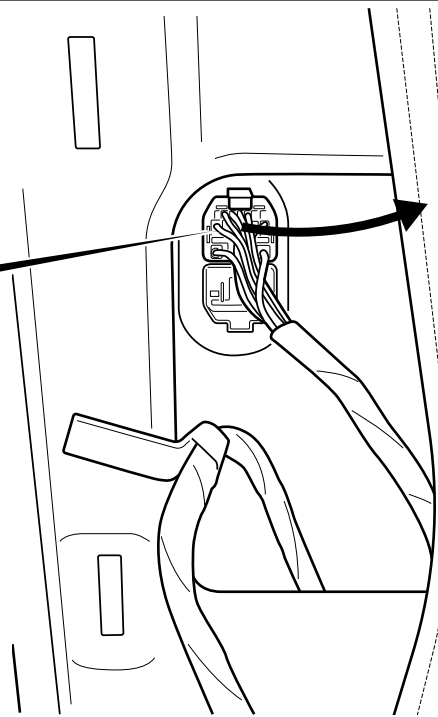


Remove B pillar trim as indicated.

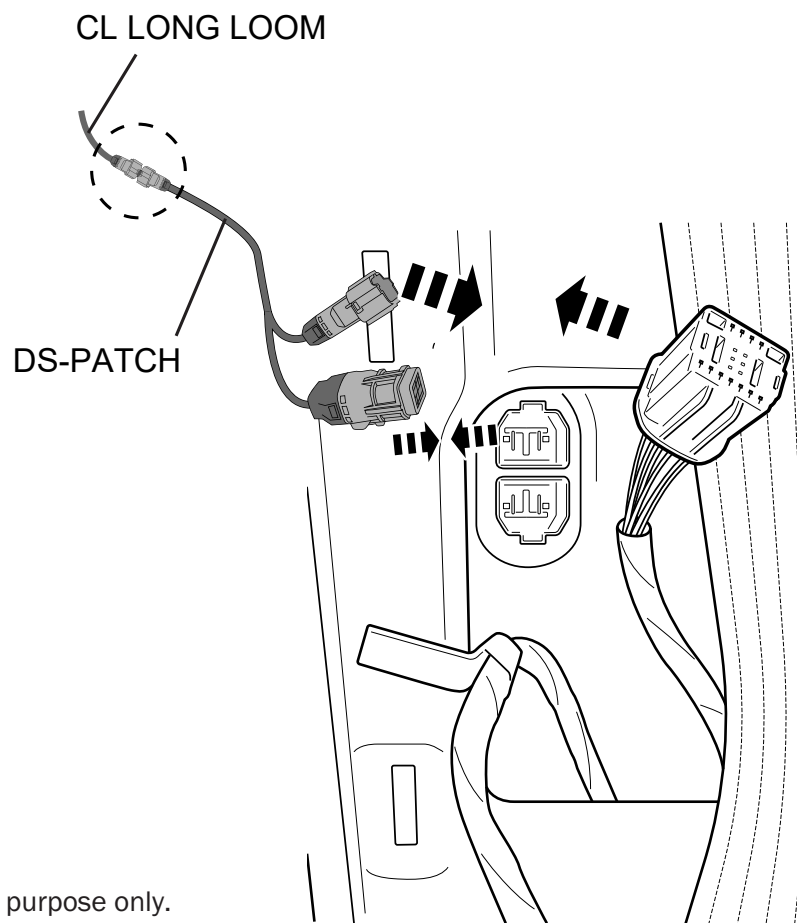


Disconnect the indicated plug.

DISCONNECT CONNECTOR



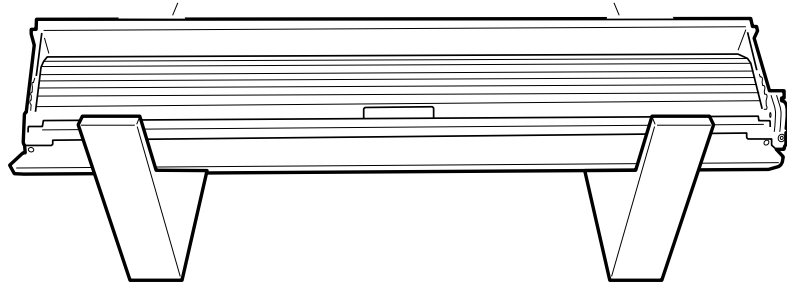
Connect DS-PATCH to the vehicle harness.



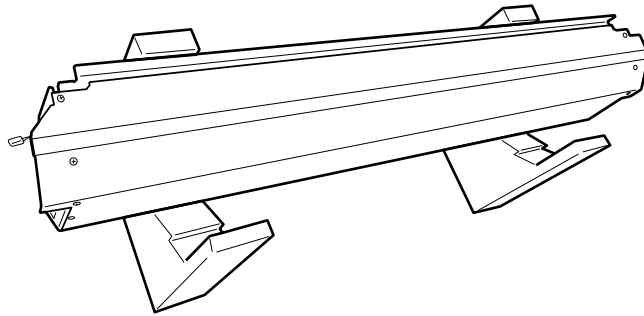
NOTE: image used is for illustration purpose only.

RE-ASSEMBLE ANY REMOVED TRIMS.

keep the cannister in the foam blocks from the packaging for assembly.

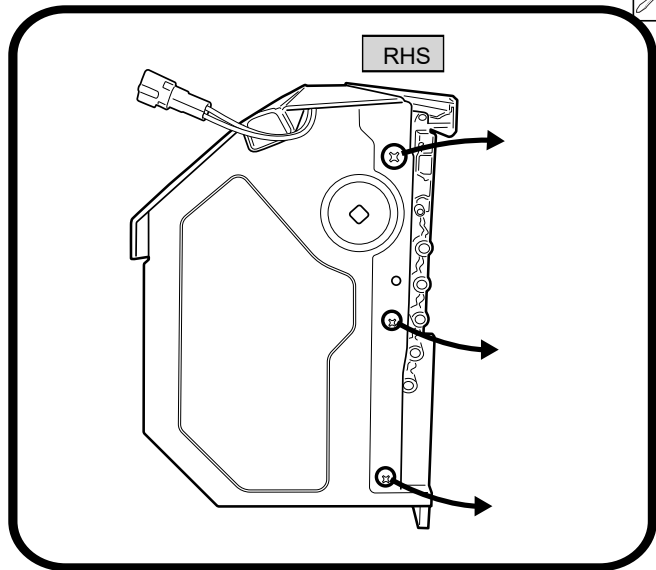
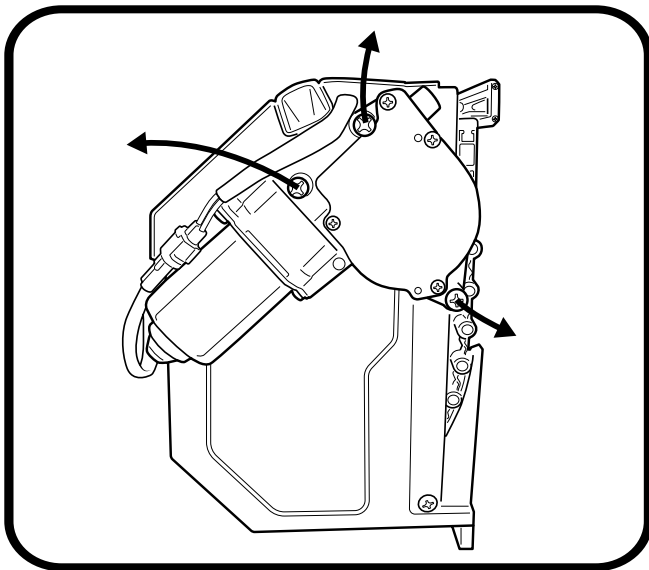


With assistance turn the canister on its back on the foam blocks.

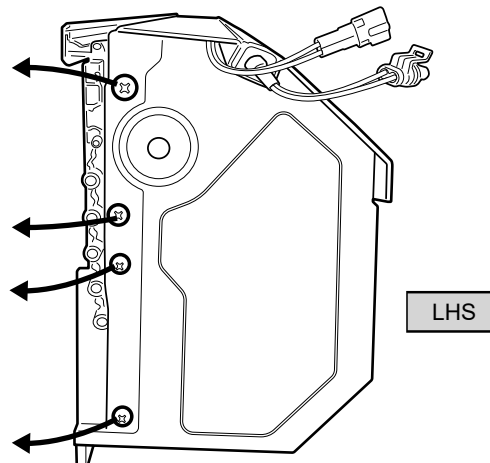
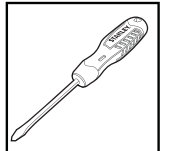


Disengage motor from the axle by unfastening the 3 Screws as indicated. Retain all parts.

Remove and retain the 3 screw from the canister as indicated.

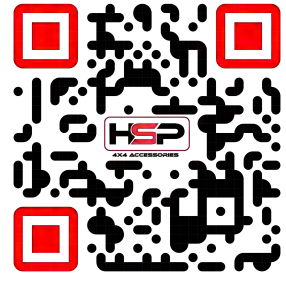
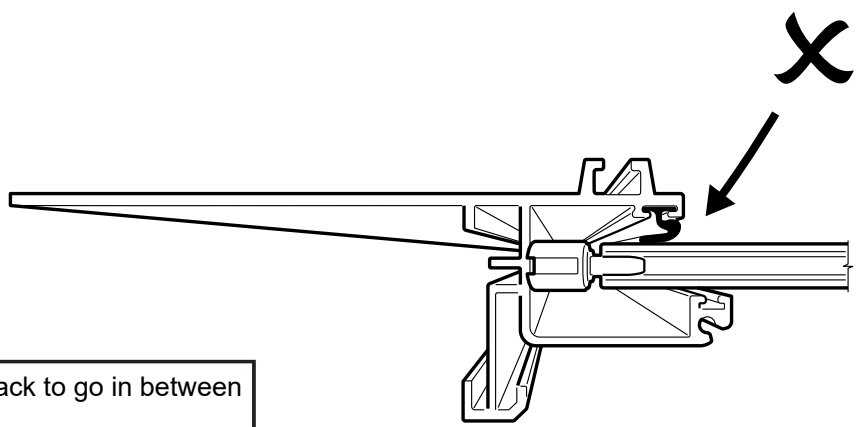
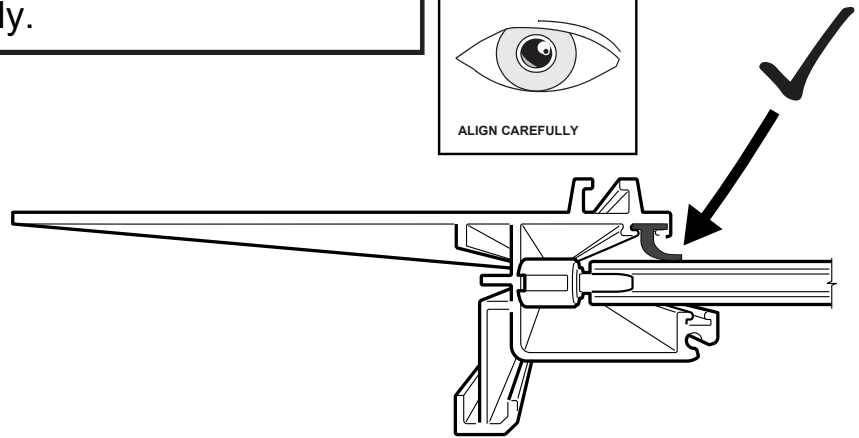
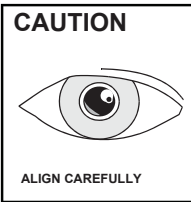


Now on the other side, remove and retain the 4 screws from the canister as indicated.



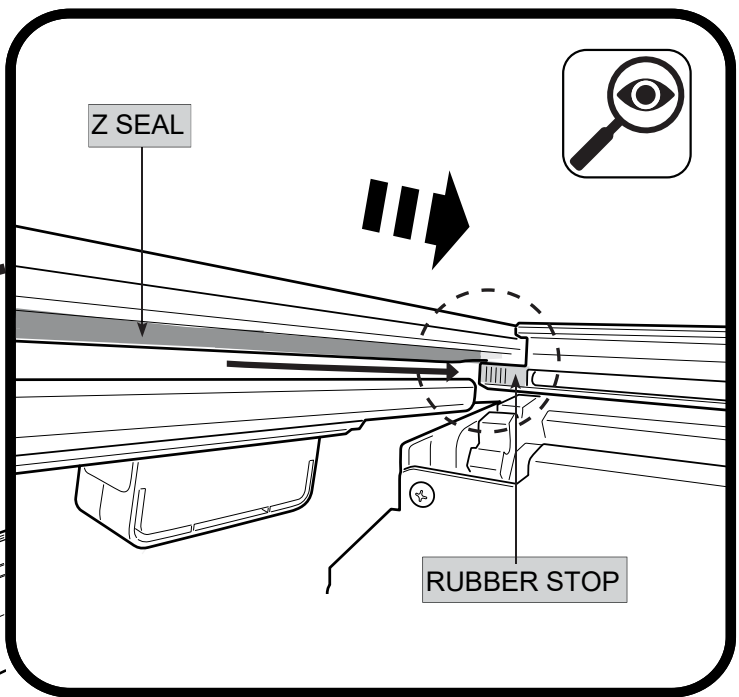
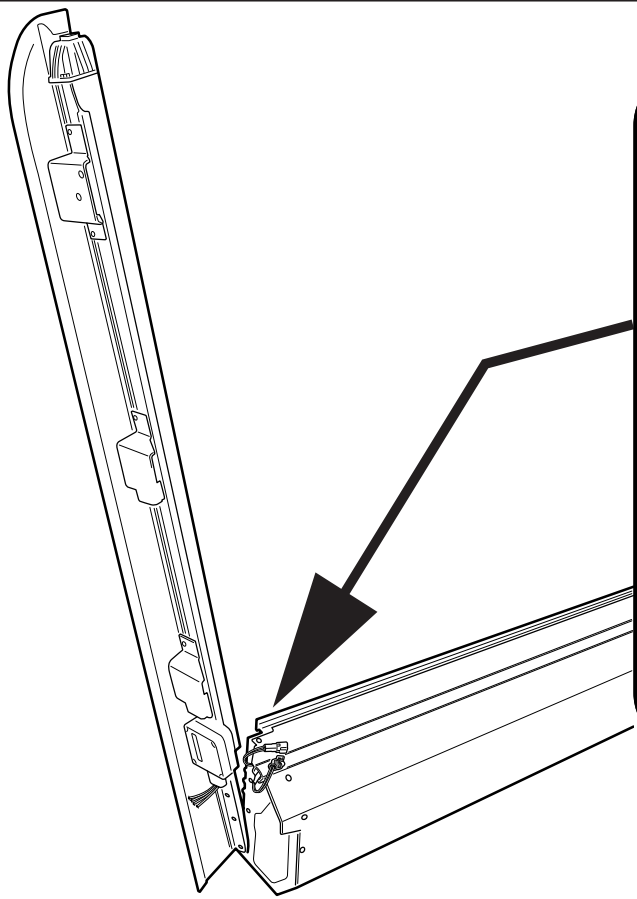


Important Note: Ensure that the Z seal within the track is positioned over the curtain and not folded inward. **WARRANTY** voided if assembled incorrectly.

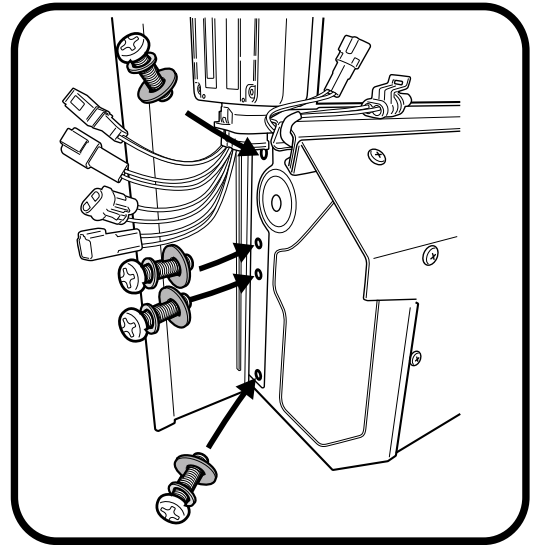
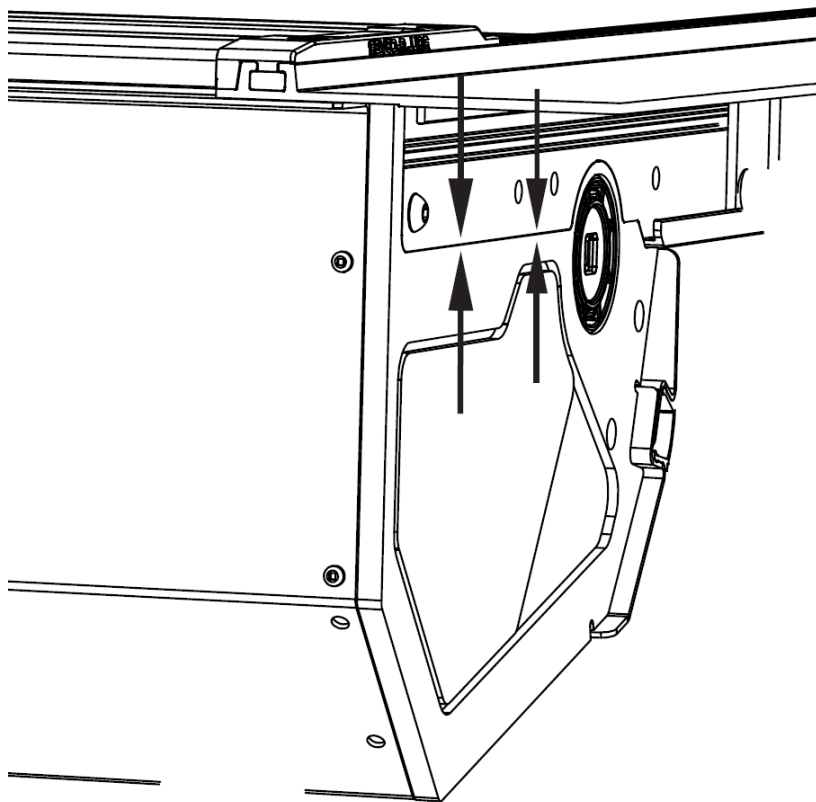
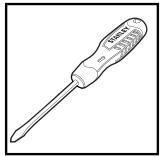


 **VISUAL TIP**

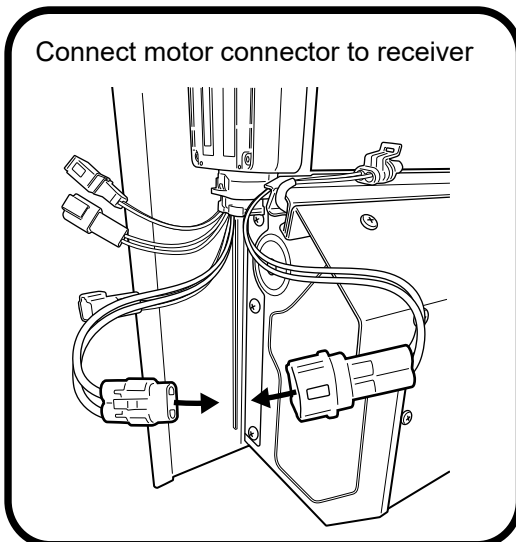
Align side rail to side of canister, guide the track to go in between the curtain end rubber stop.
NOTE: LHS side rail to be assembled first.



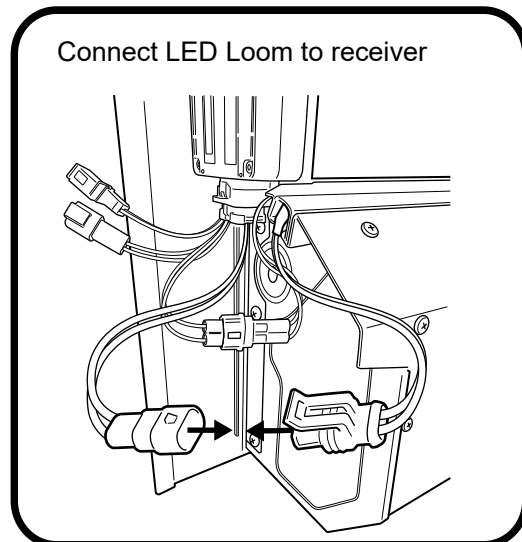
1. Using the retained screws, spring washer and washer, Loosely fasten the side rail to the location indicated.
2. Side rail edge must compress and meet with the canister profile as indicated below.
3. Fasten all screws tight.



Connect motor connector to receiver

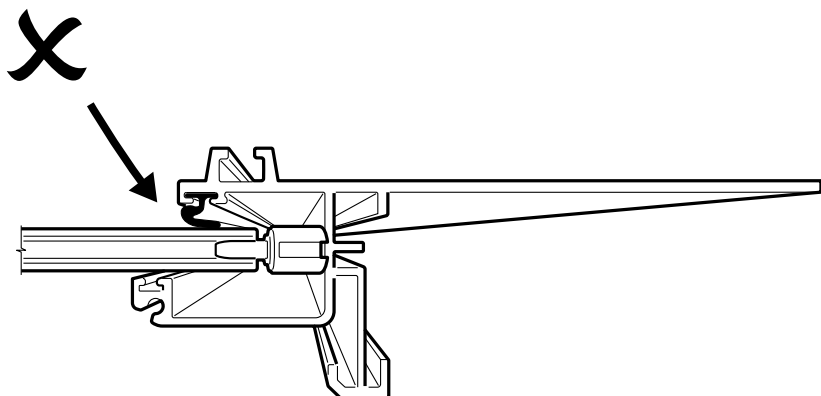
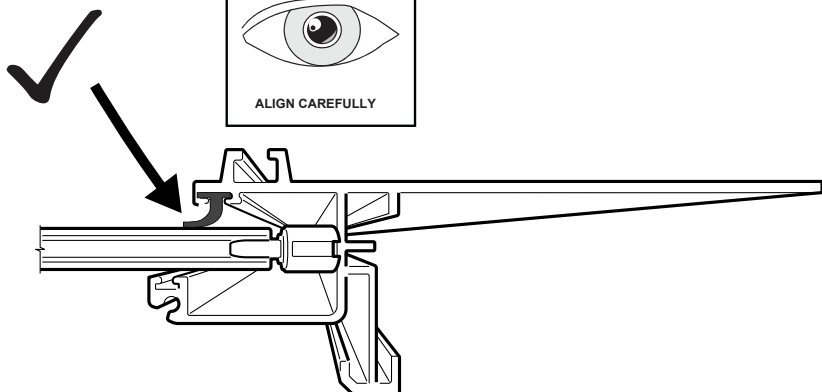
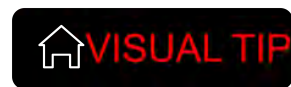


Connect LED Loom to receiver



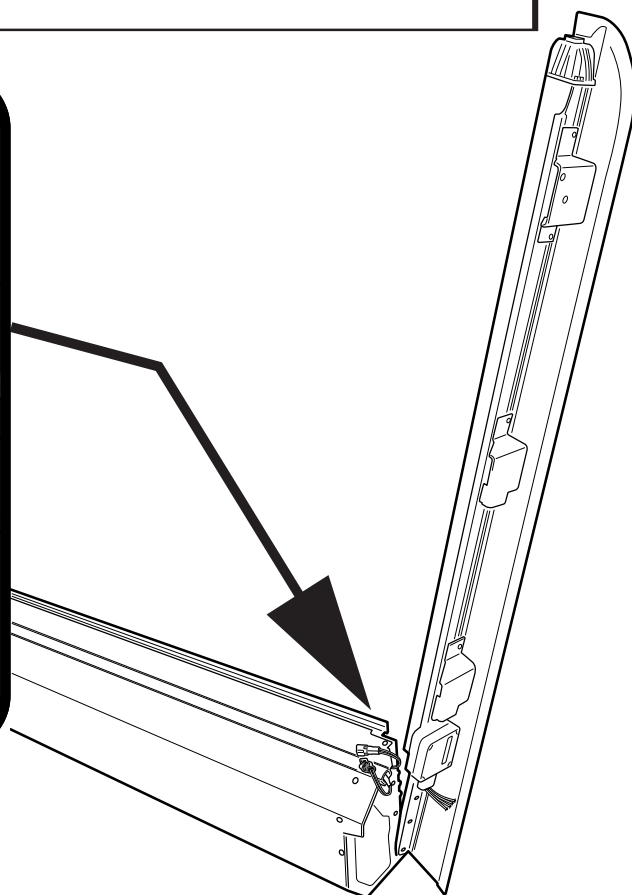
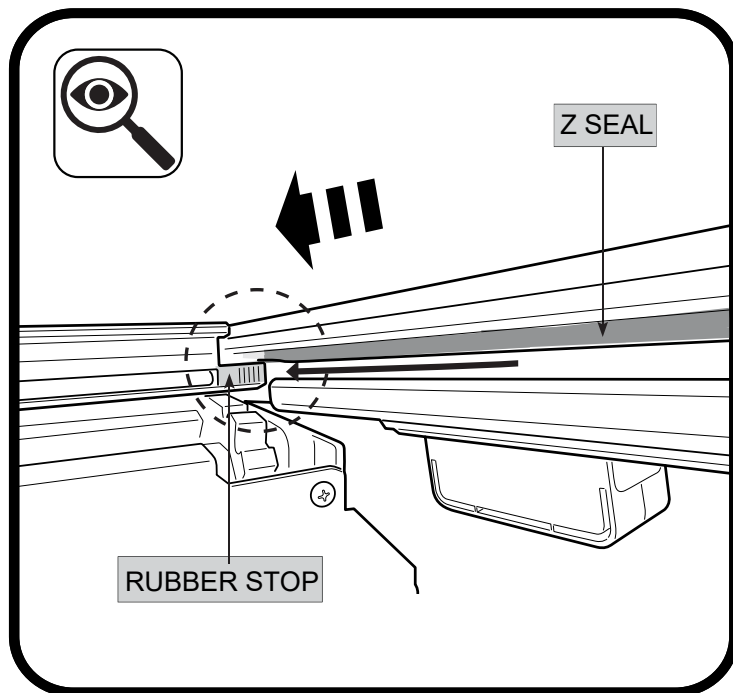


Important Note: Ensure that the Z seal within the track is positioned over the curtain and not folded inward. **WARRANTY** voided if assembled incorrectly.

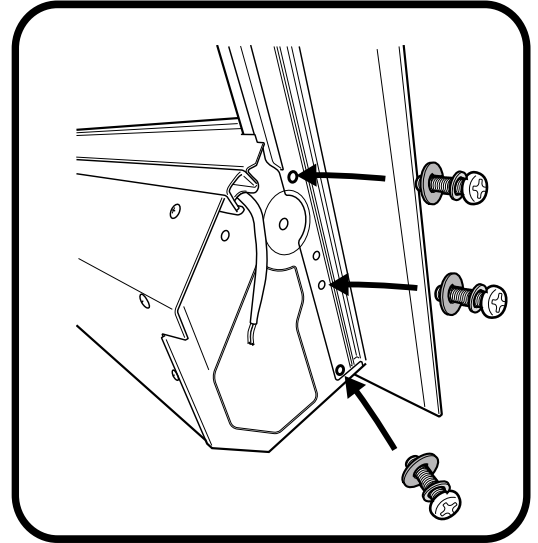
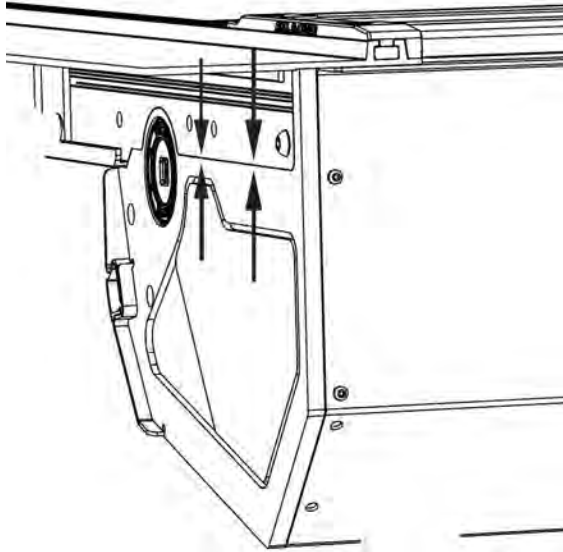
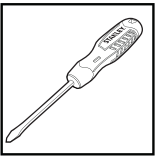


Align side rail to side of canister, guide the track to go in between the curtain end rubber stop.

NOTE: LHS side rail to be assembled first.

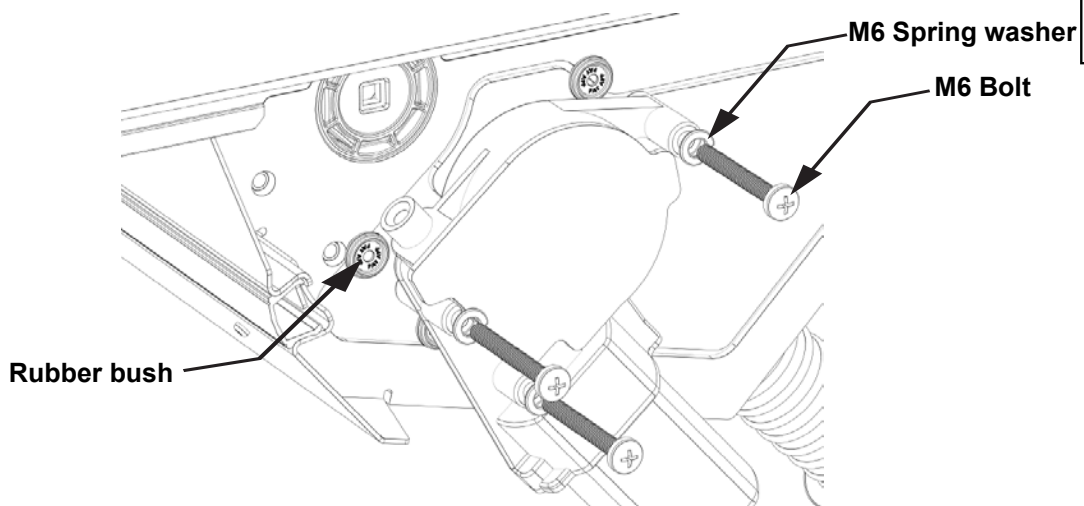
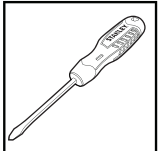


1. Using the retained screws, spring washer and washer, Loosely fasten the side rail to the location indicated.
2. Side rail edge must compress and meet with the canister profile as indicated below.
3. Fasten all screws tight.



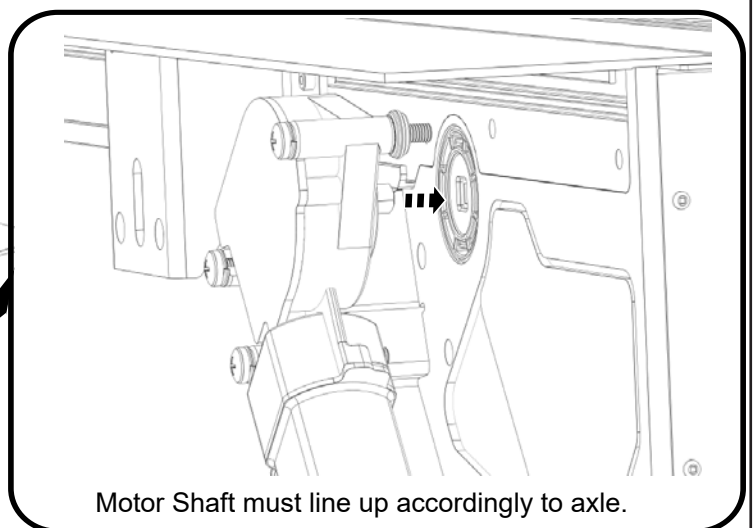
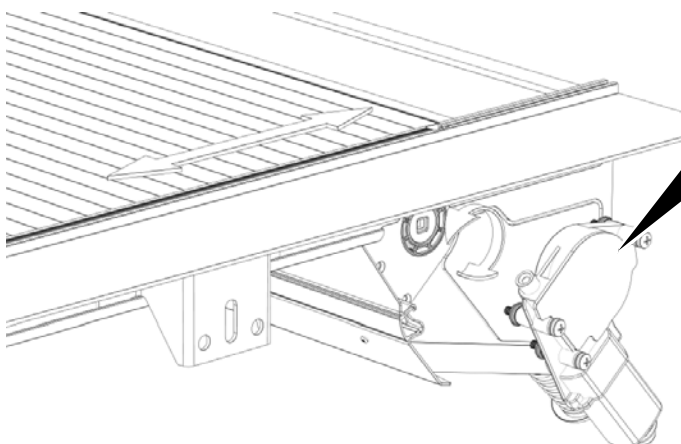
Feed M6 bolt through spring washer, motor and rubber bush.

NOTE: Rubber bush orientation has to be as per image. (side with text on rubber, to face the motor).



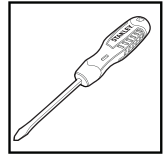
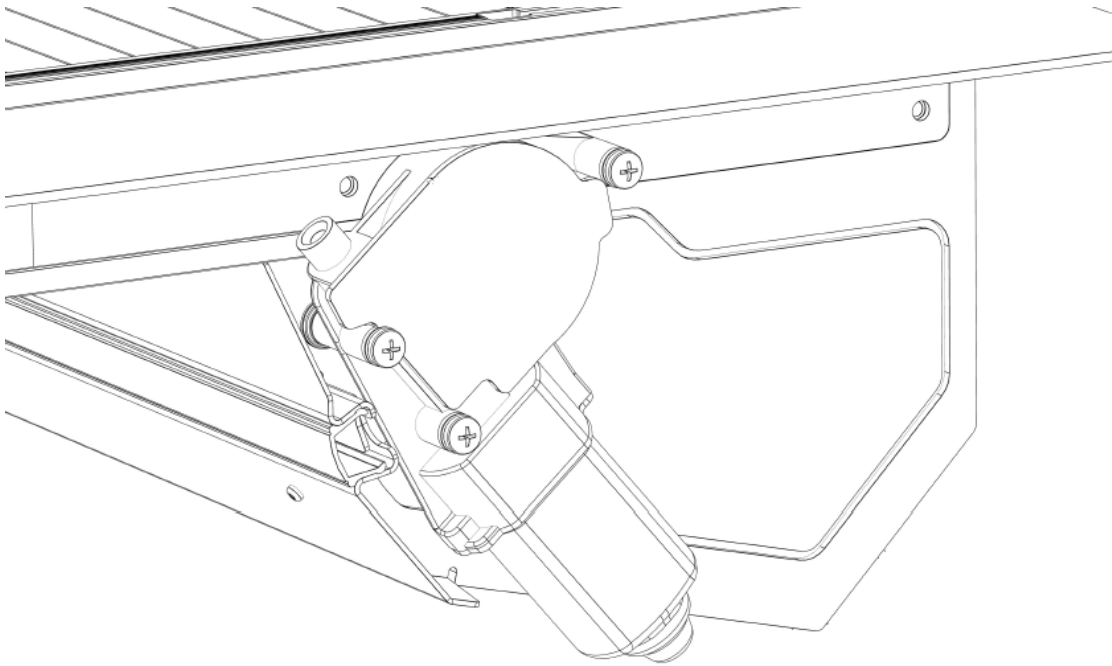
Align & insert motor shaft to axle.

NOTE: Pull / push curtain for axle to rotate.



Motor Shaft must line up accordingly to axle.

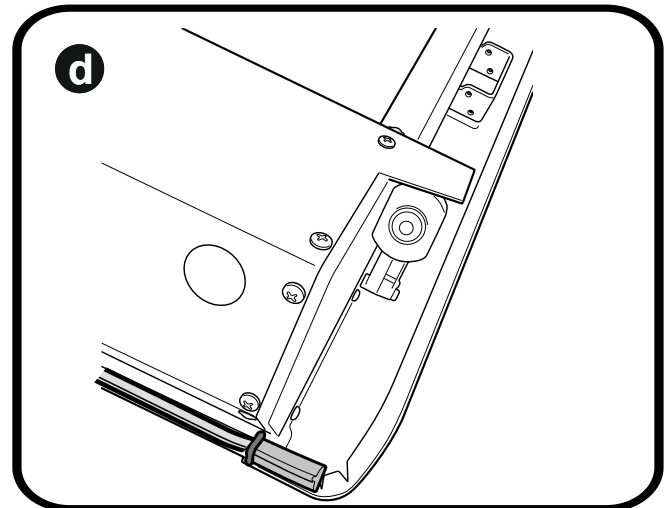
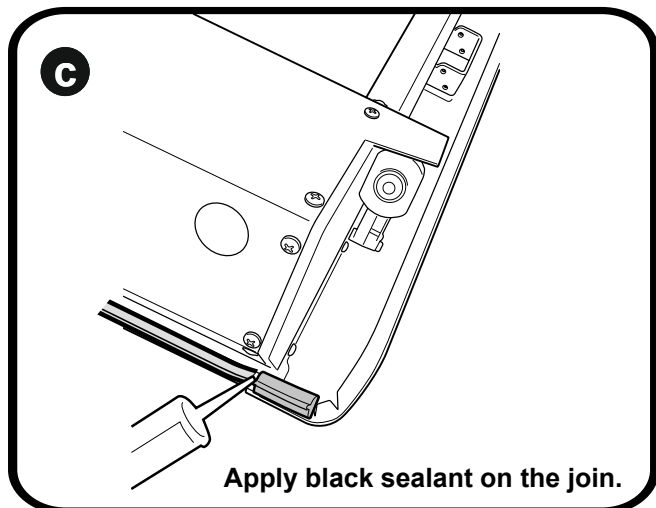
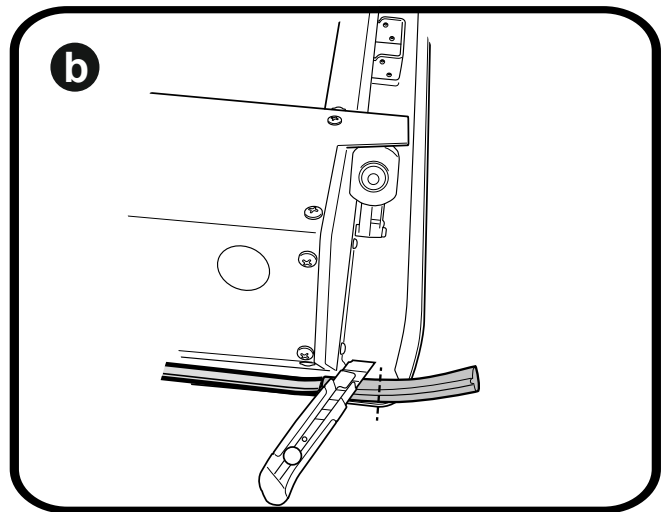
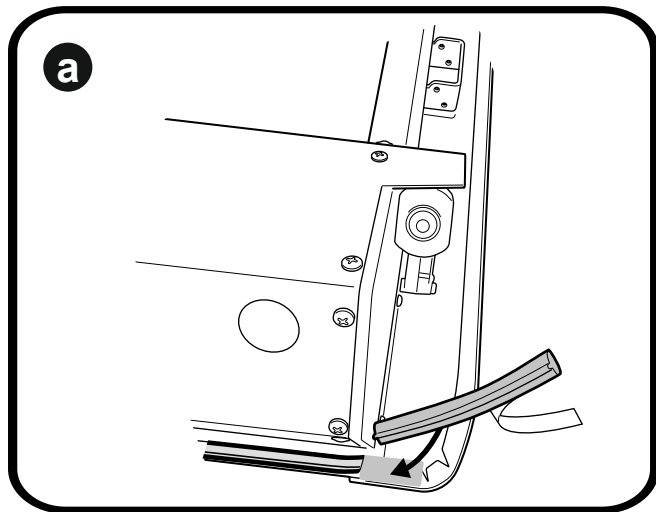
Fasten all 3 screws to 2nm torque. Over tensioning will cause operating issue's.



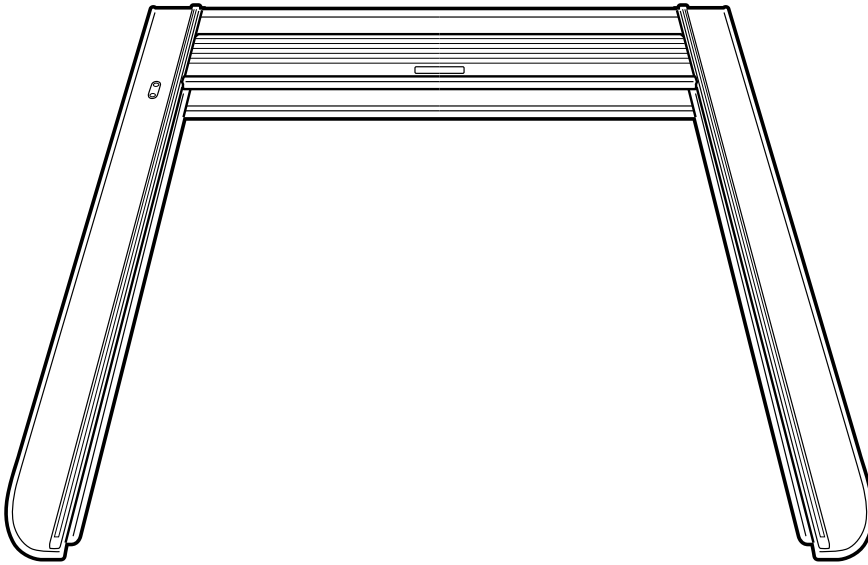
Motor is to sit level.

Any obstructions between motor and canister may cause operating issues.

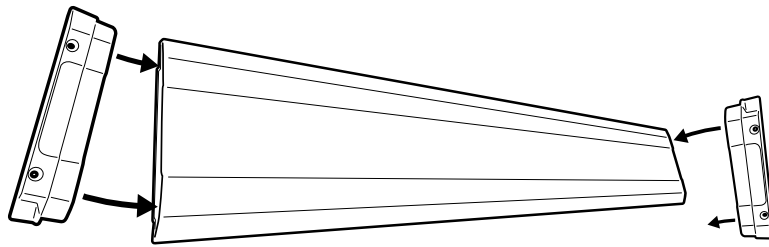
Apply D-sponge foam tape to side rail as indicated. NOTE: Join foam firmly to the per-fitted foam of the canister. Carefully trim excess off & discard as indicated. Seal join. Repeat on the other side.



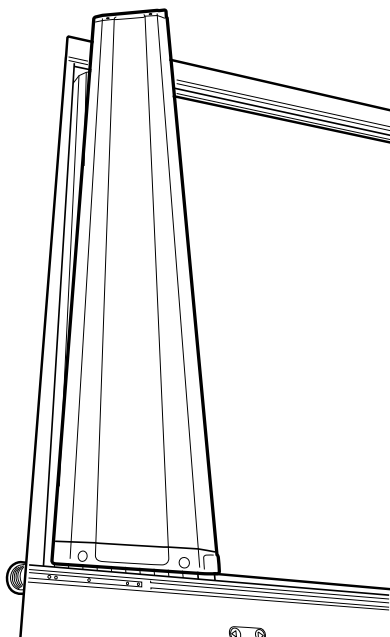
Carefully bring down the assembled unit.



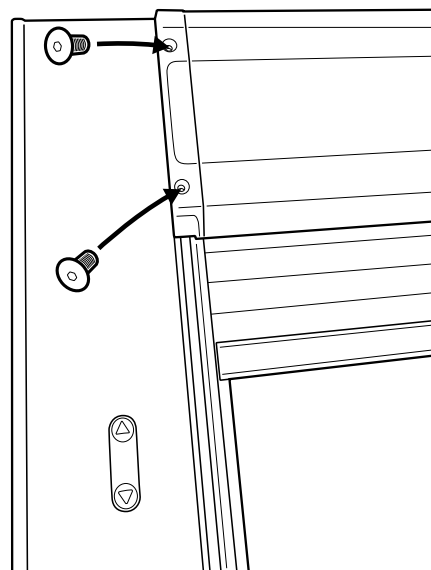
Insert side end caps to the top cover.



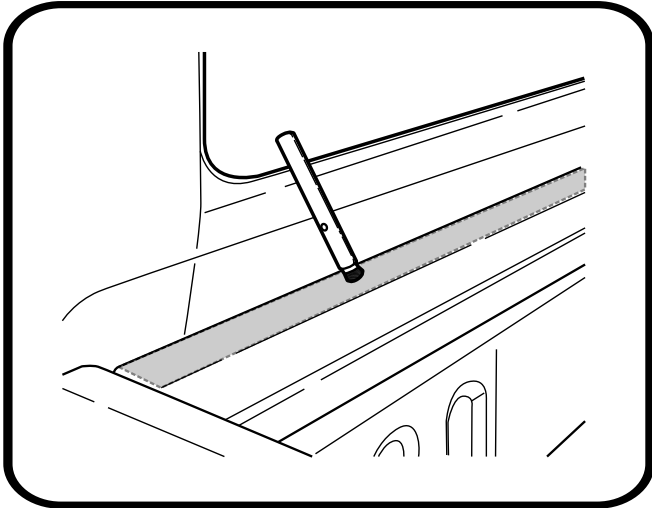
Place & Align top cover over the canister and side rails.



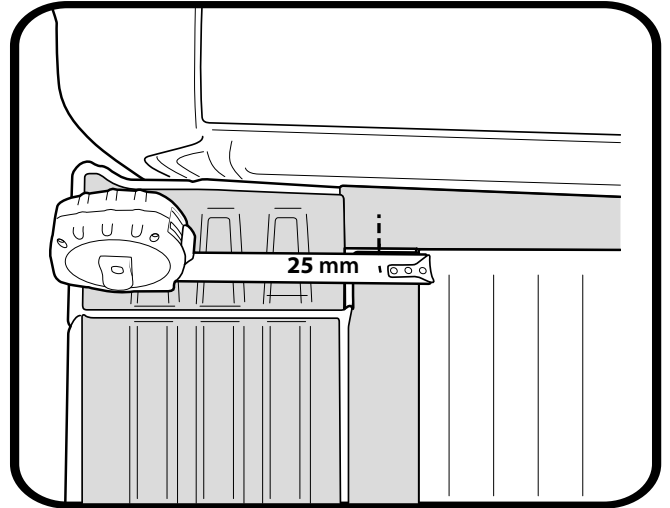
Using countersunk screws provided, line up end cap holes to the threads on the side rail. Fasten to 3nm torque. Repeat to the other side.



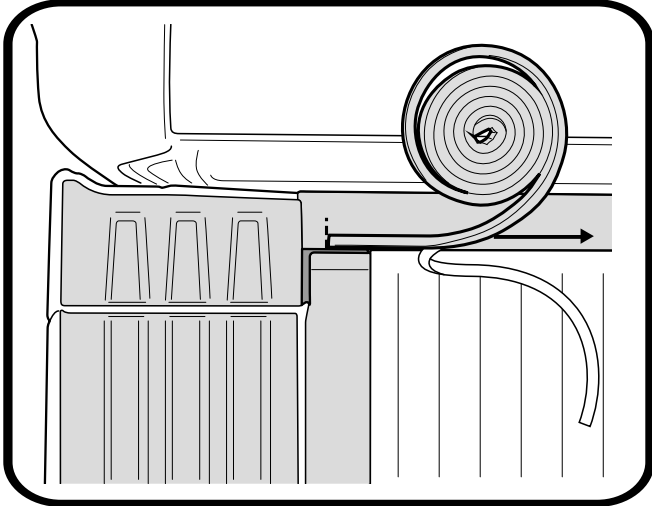
Apply 3mm primer to top inside edge of head board.



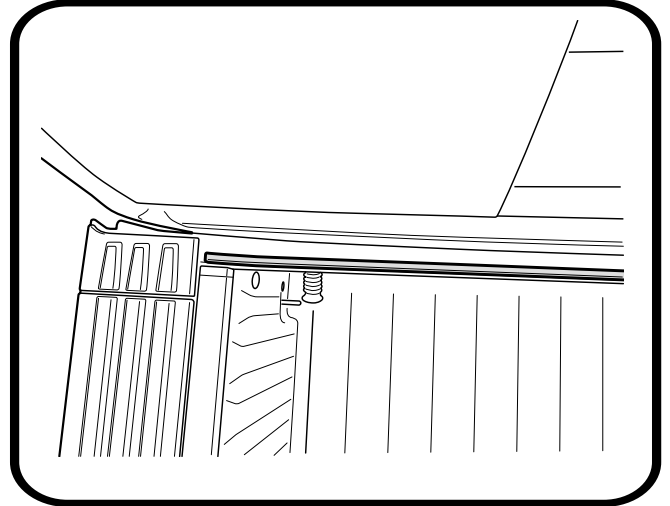
Measure 25mm & mark. Repeat to the other side.



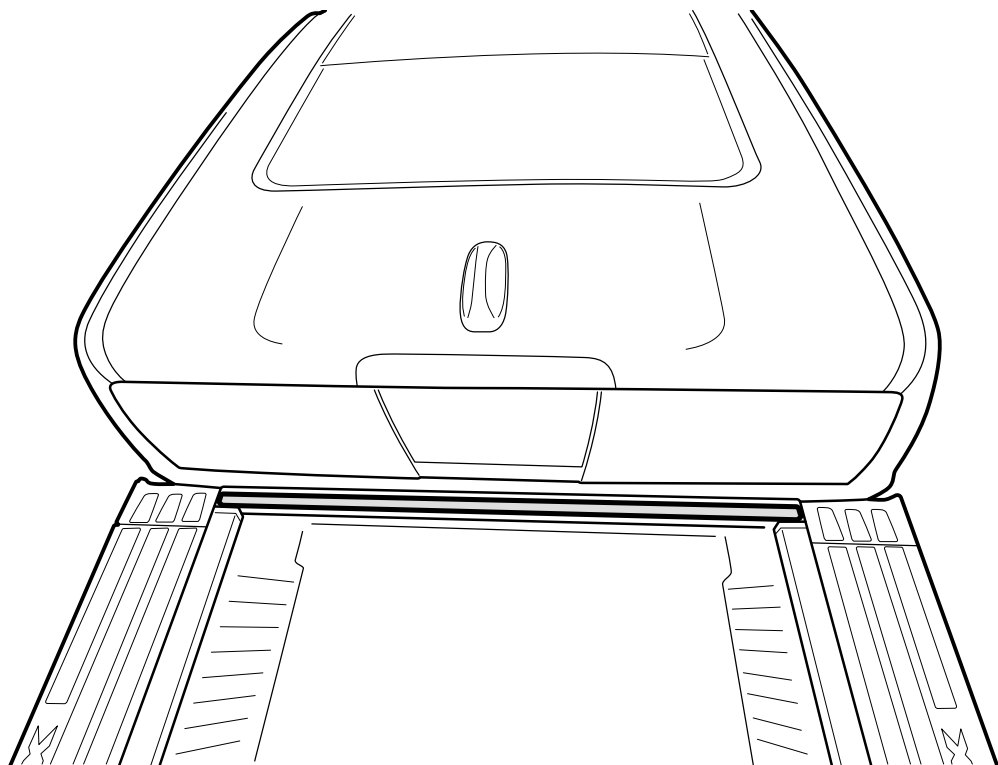
Run foam seal provided from the marked line, along the front (inside edge towards tailgate) to the other side's marked line. **Do not stretch foam.** Cut excess and discard.



Press firmly on the foam all along.

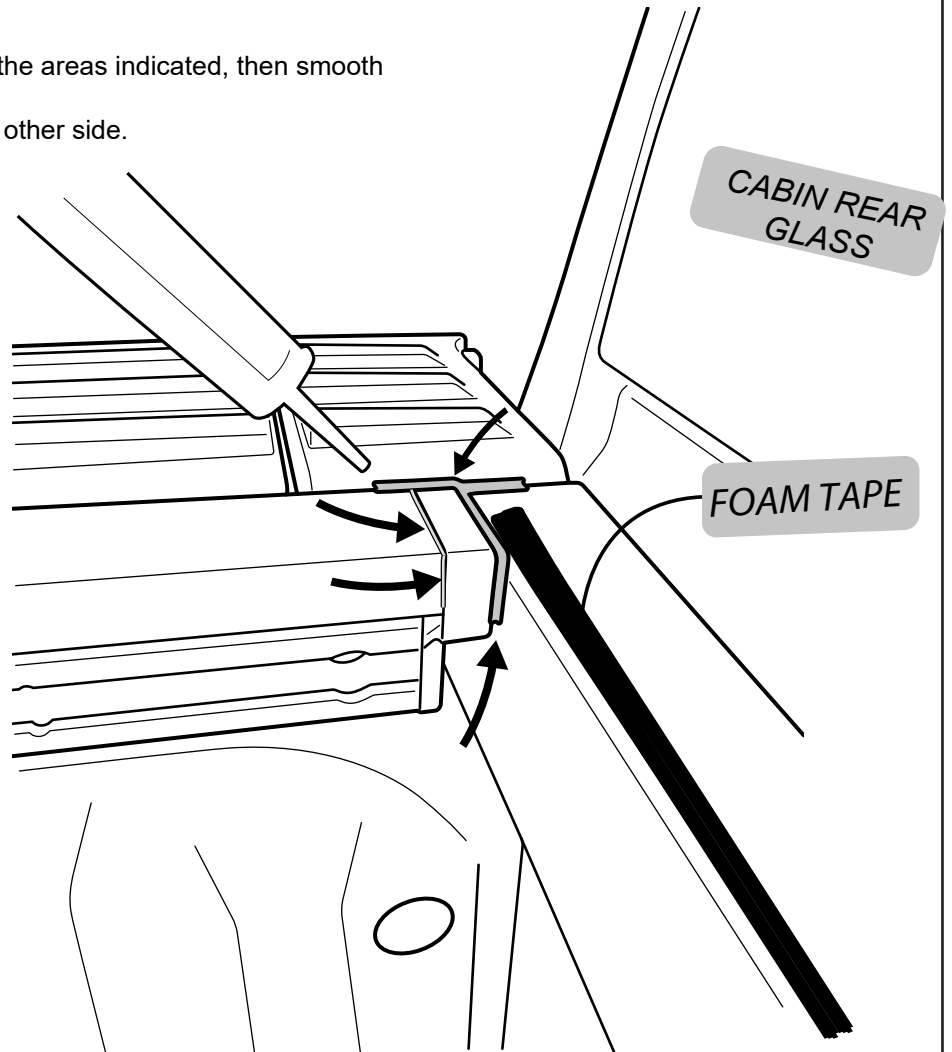


Completed view.



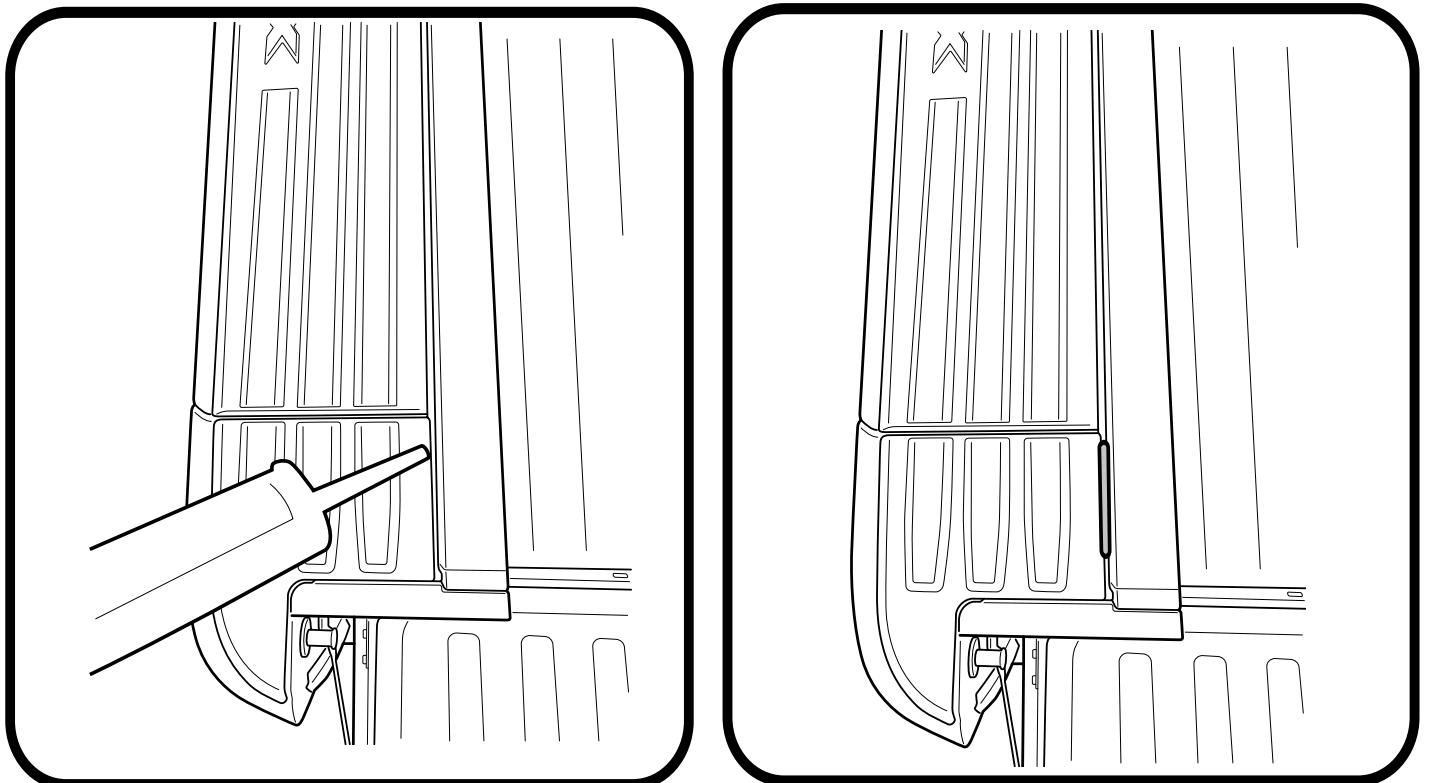
Sealing factory gaps on the bed it is recommended to use black sealant.

Apply an adequate amount of sealant to the areas indicated, then smooth sealant out.
Clean any excess sealant. Repeat to the other side.



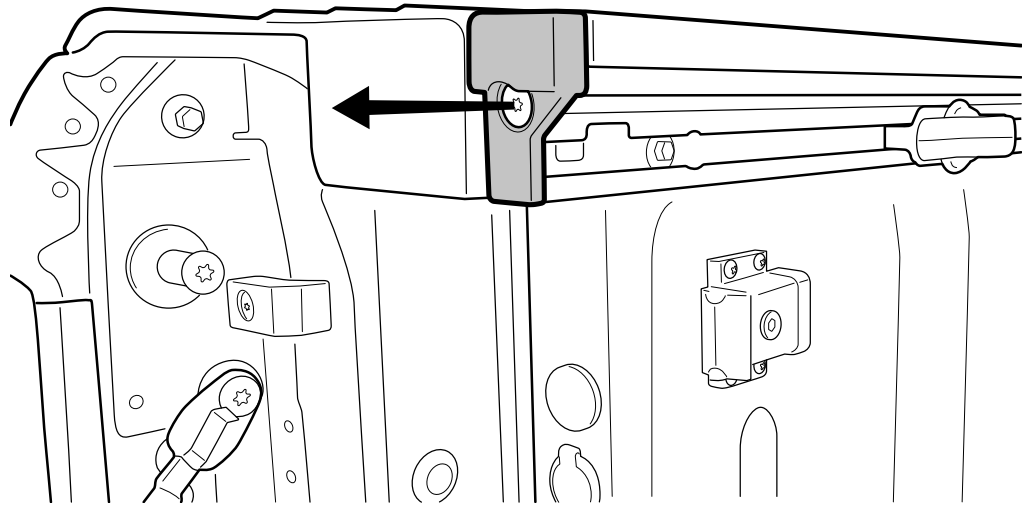
Front passenger side front shown.

Apply an adequate amount of sealant to the areas indicated. Repeat to the other side.

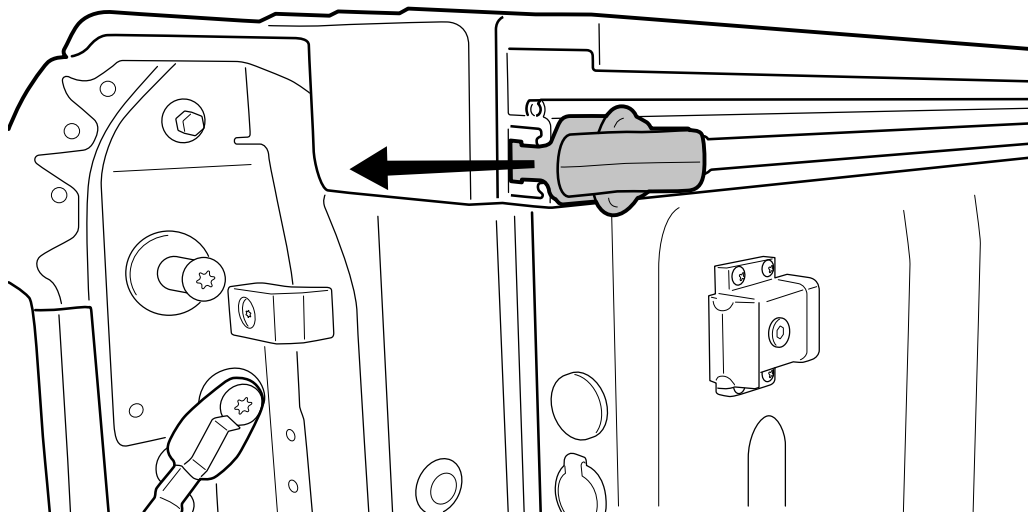


Rear passenger side shown.

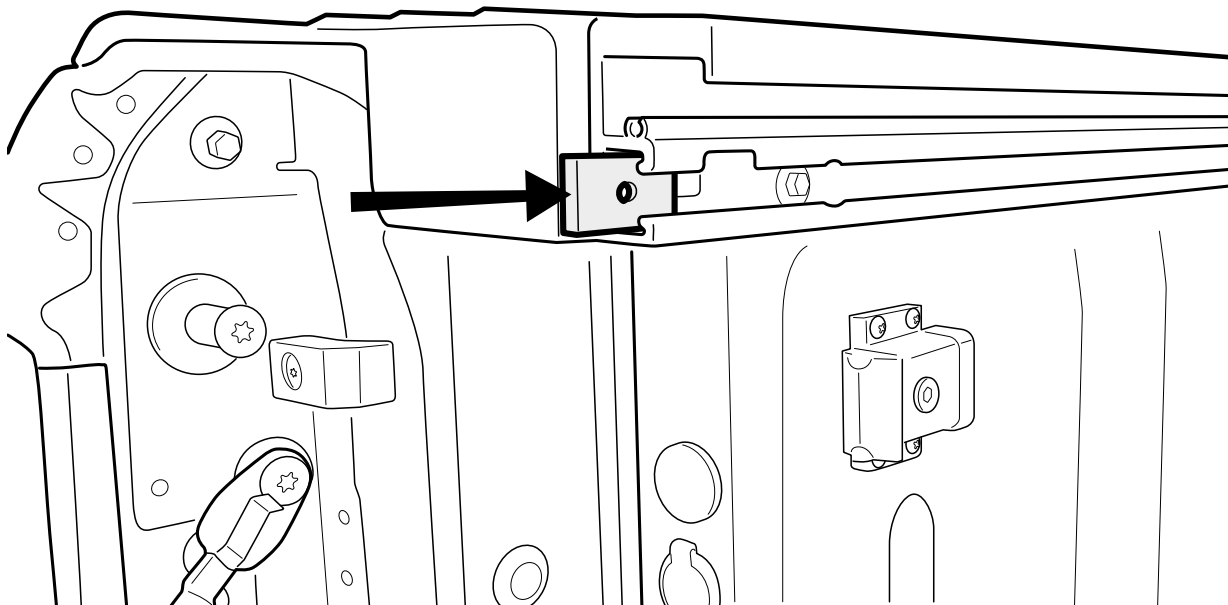
Unfasten the indicated screw & retain.
Remove and retain the plastic cap.
Repeat to the other side.



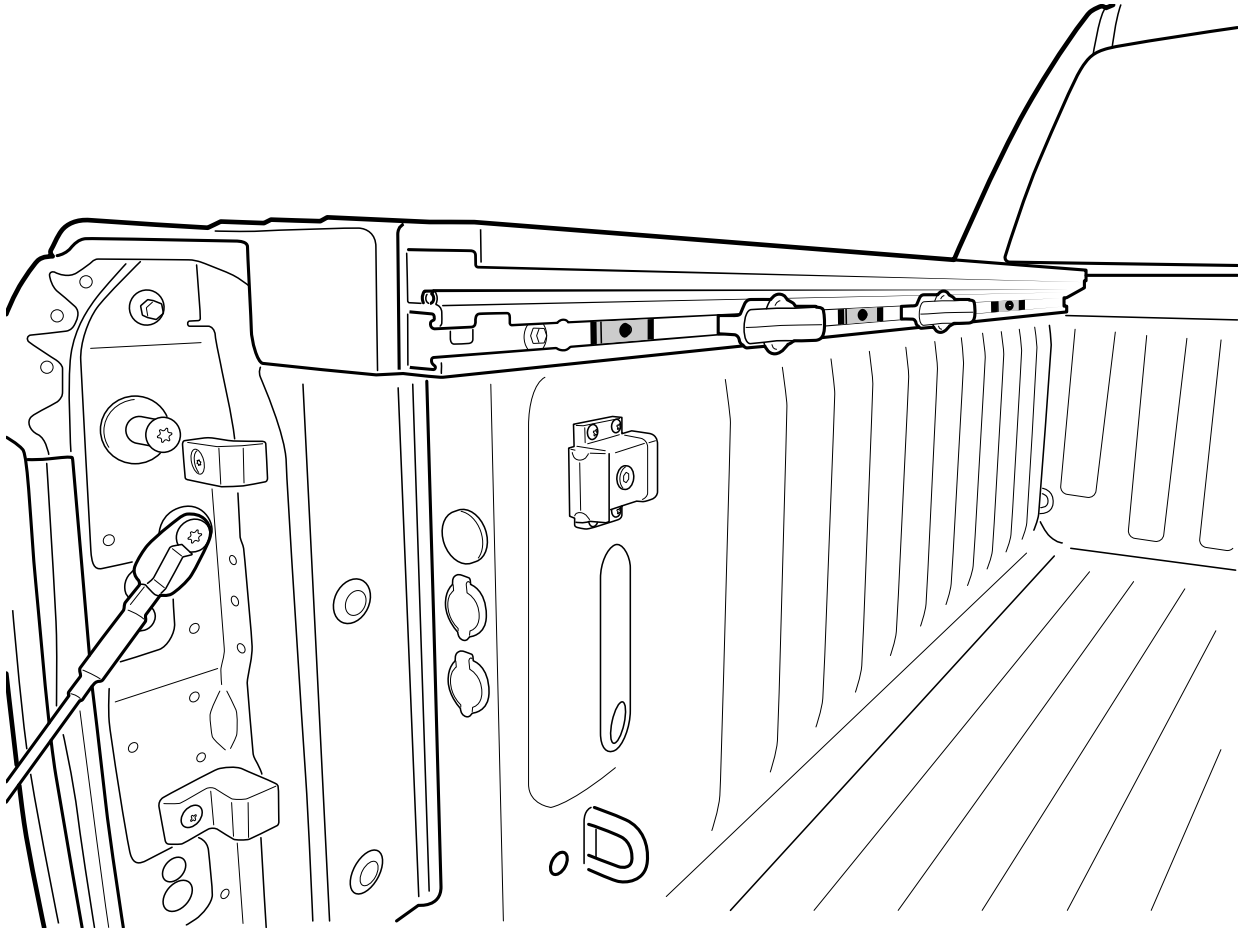
Remove and retain all tie down points from both sides.



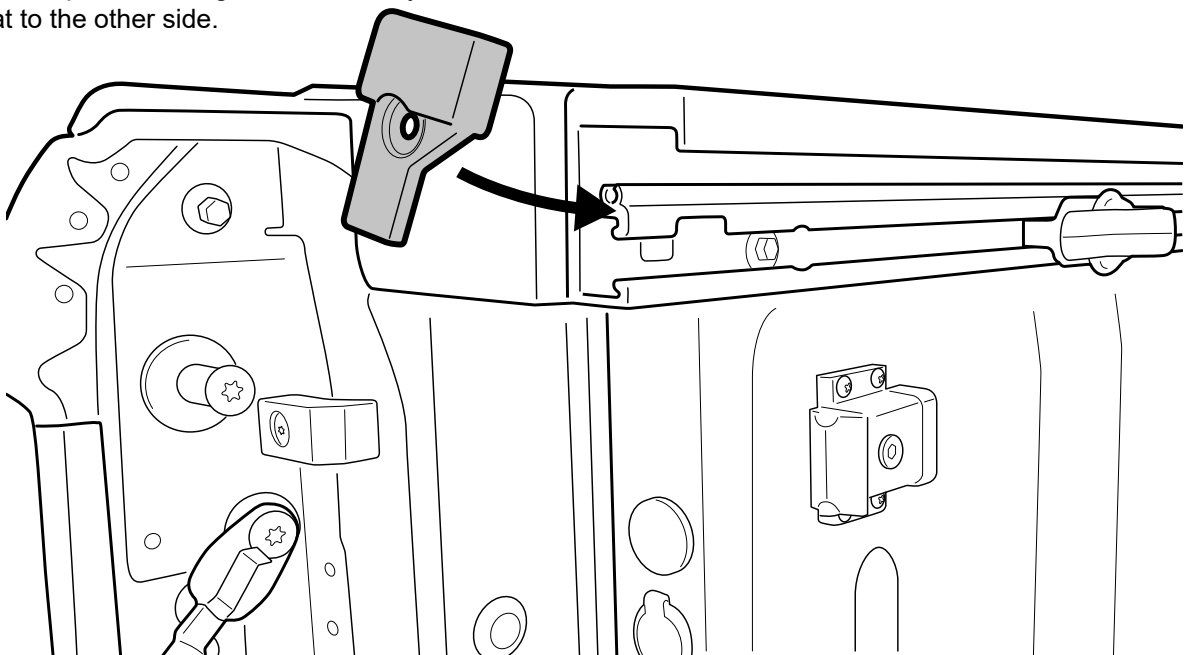
Feed in channel nut followed by 1 factory tie down point, followed by channel nut, followed by tie down point and followed by channel nut. Repeat to the other side.



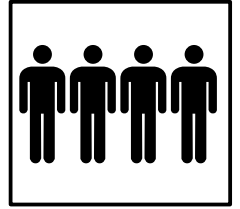
View with channel nut and tie down point in order.



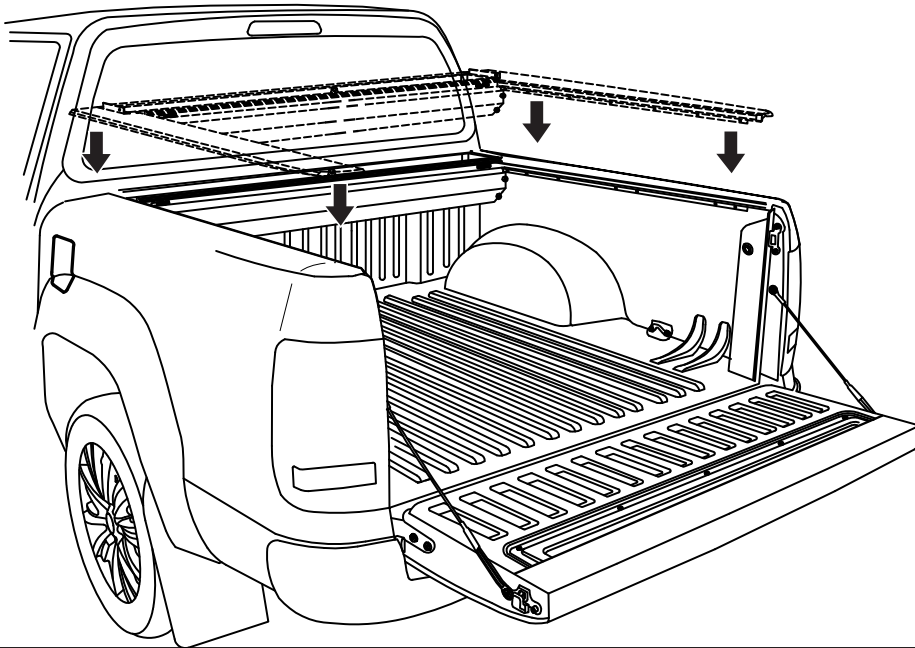
Push plastic cap back onto rail.
Fasten into position using retained factory bolt.
Repeat to the other side.



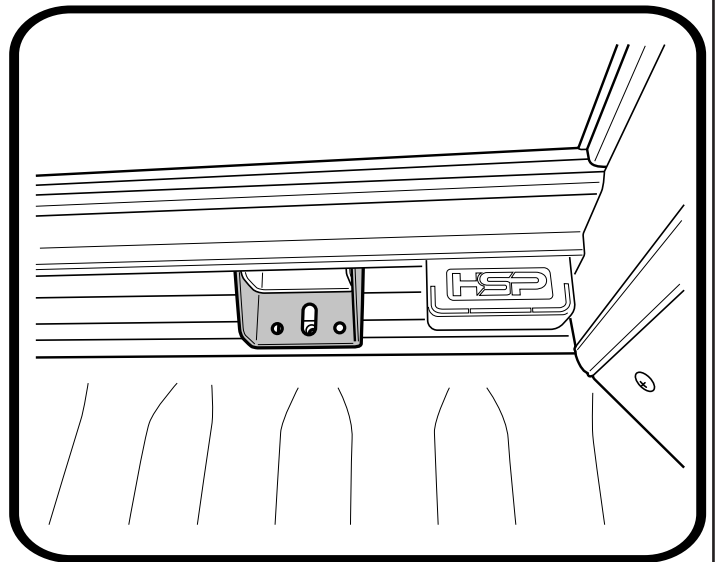
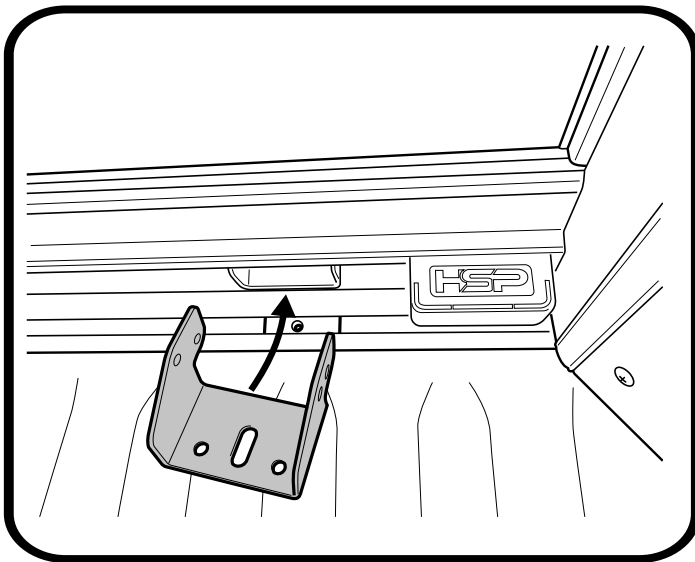
Place the Roll-R-Cover unit on to Ute bed.



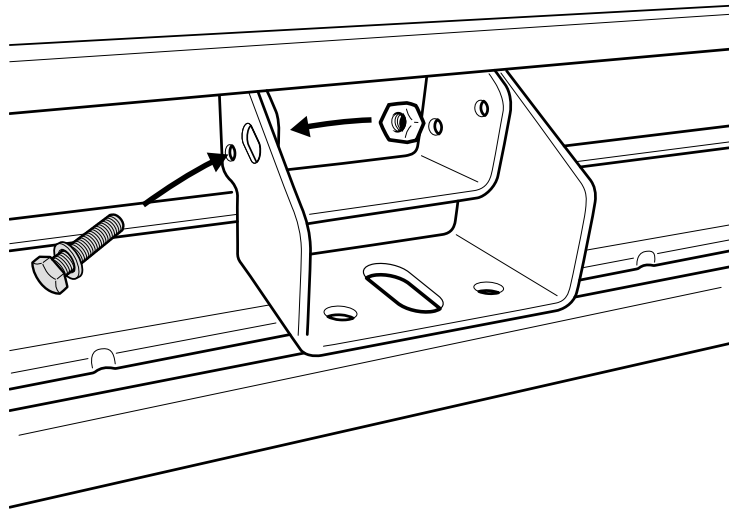
4 People
Recommended for lift



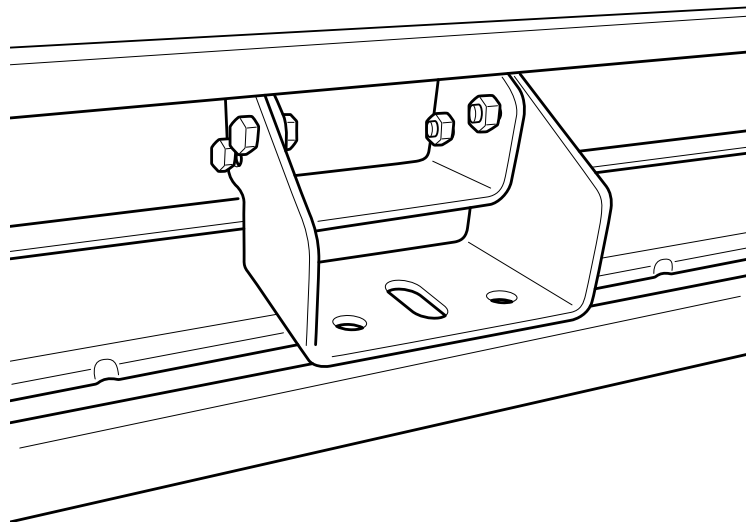
Sleeve Clamp brackets over all side rail brackets as indicated.



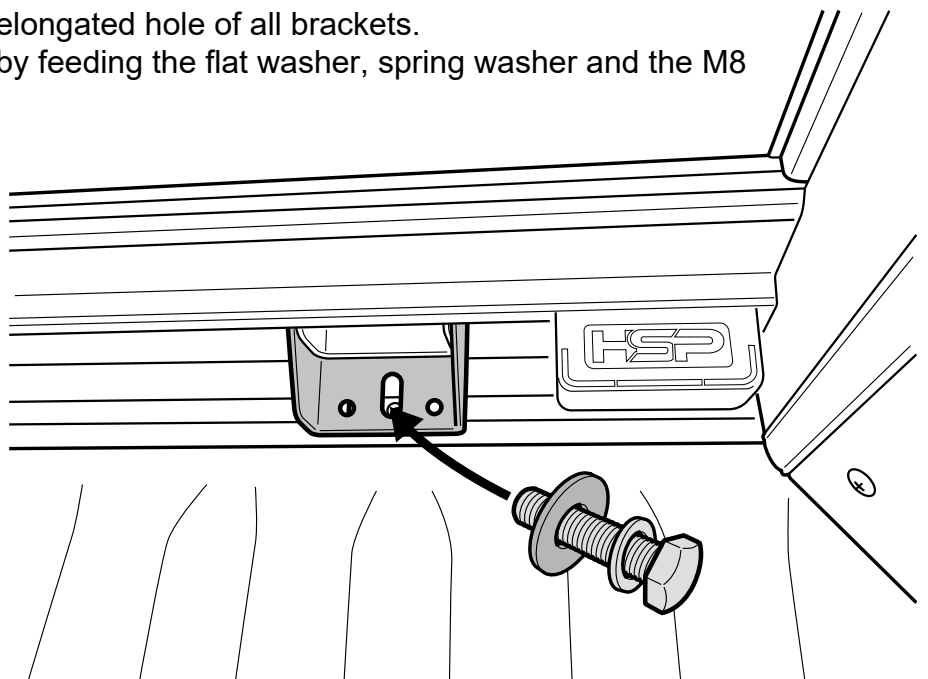
Feed M6x16mm hex head bolt followed by M6 spring washer, through both brackets and fasten loosely using M6 nut.



Repeat to all 4 points of each side rail brackets.

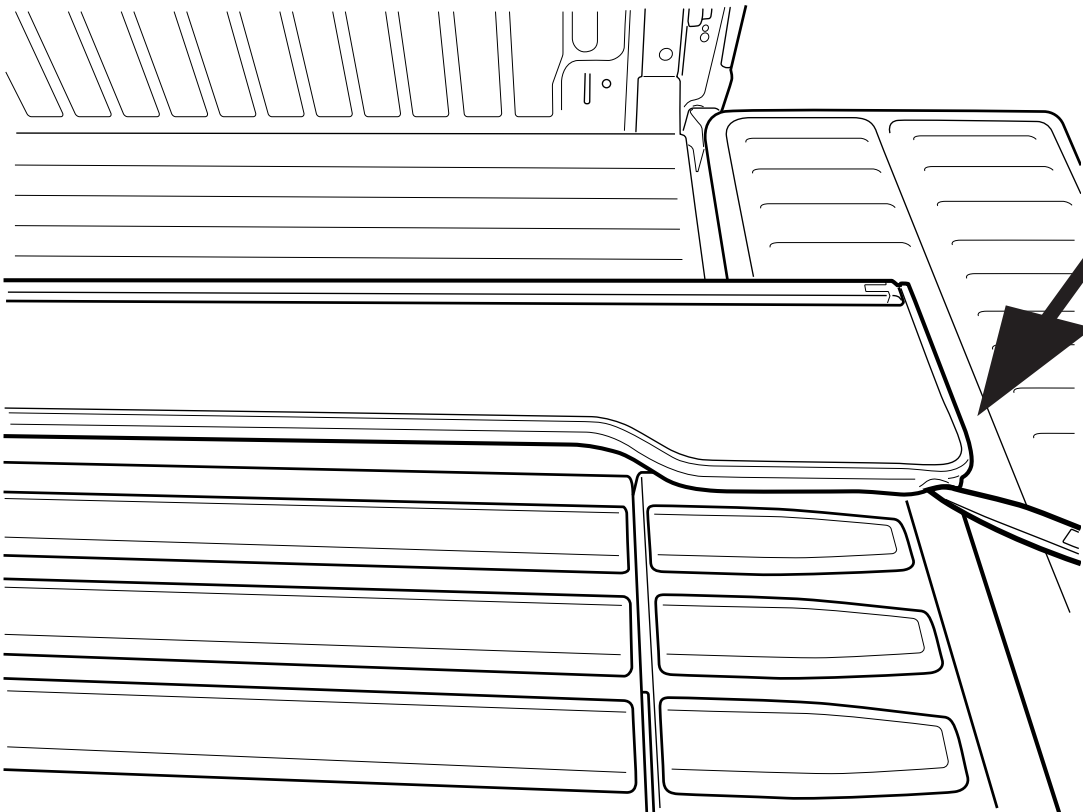
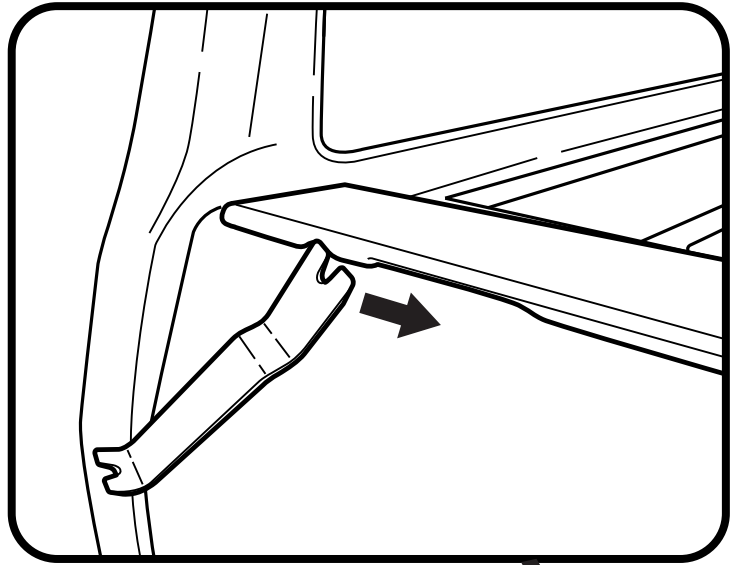


1. Align channel nuts to center elongated hole of all brackets.
2. Loosely fasten in to position by feeding the flat washer, spring washer and the M8 bolt.

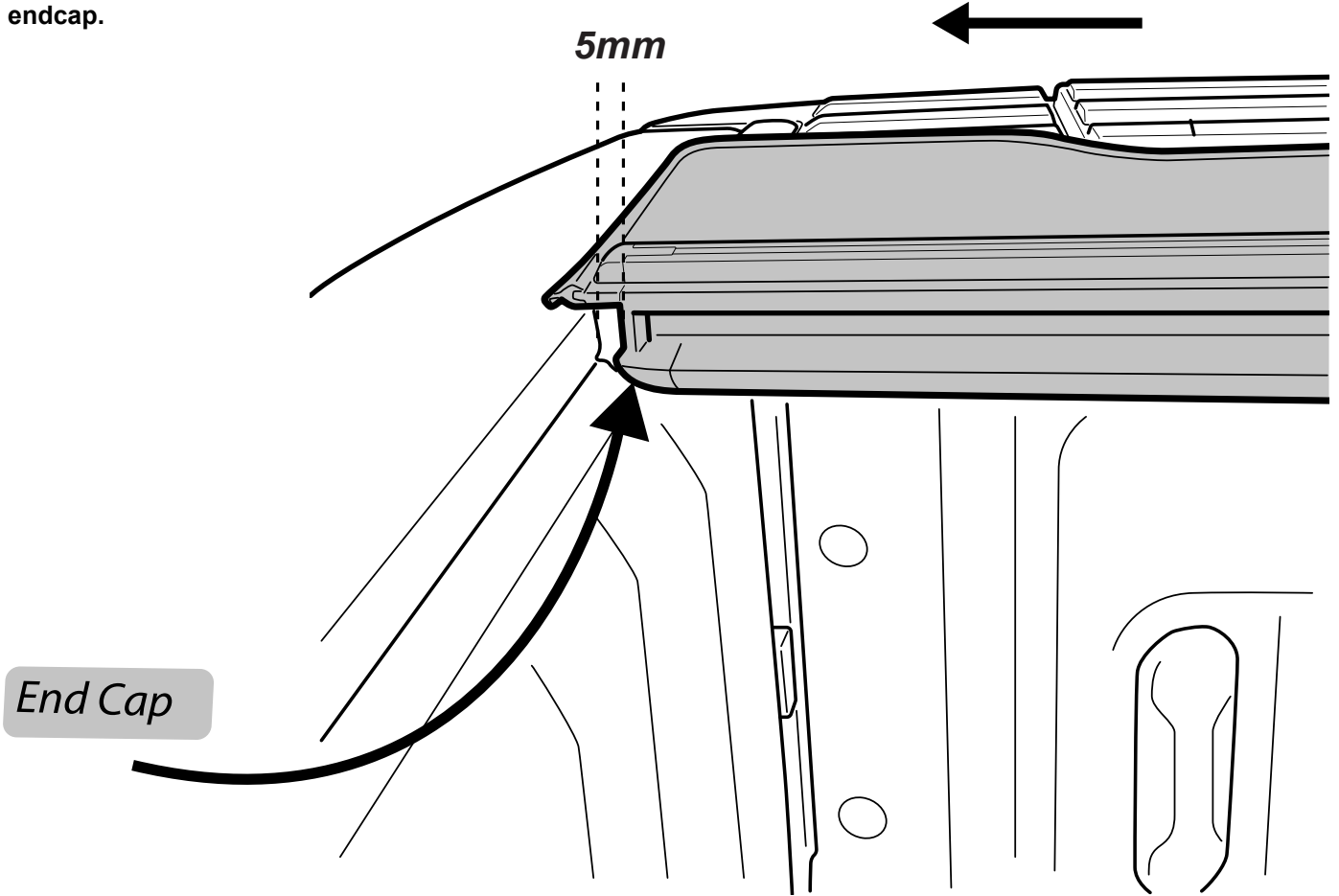


With care, pull out any side rubber that has folded under the side rail.

LHS & RHS

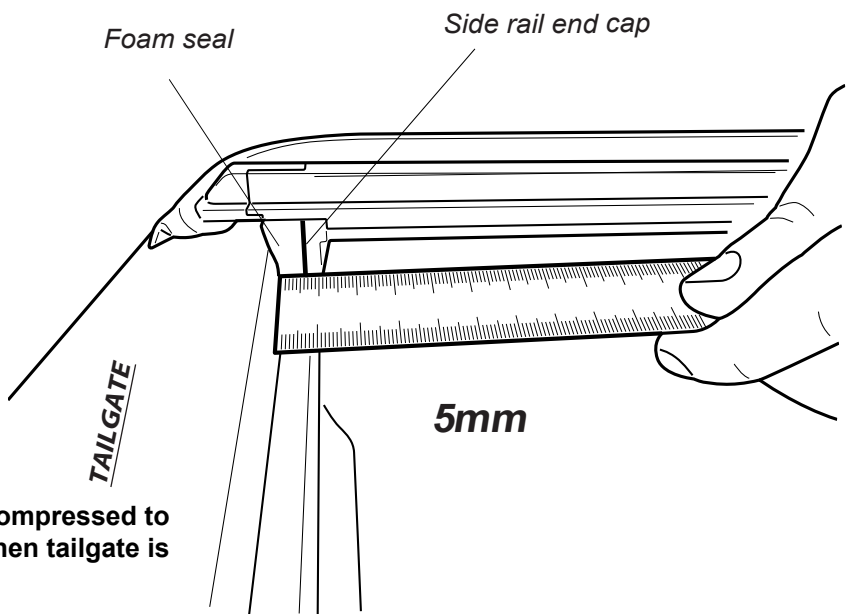


With the tailgate up (Closed position), Pull left & right hand side rails towards the tailgate, stopping short by 5mm between tailgate and side-rail endcap.



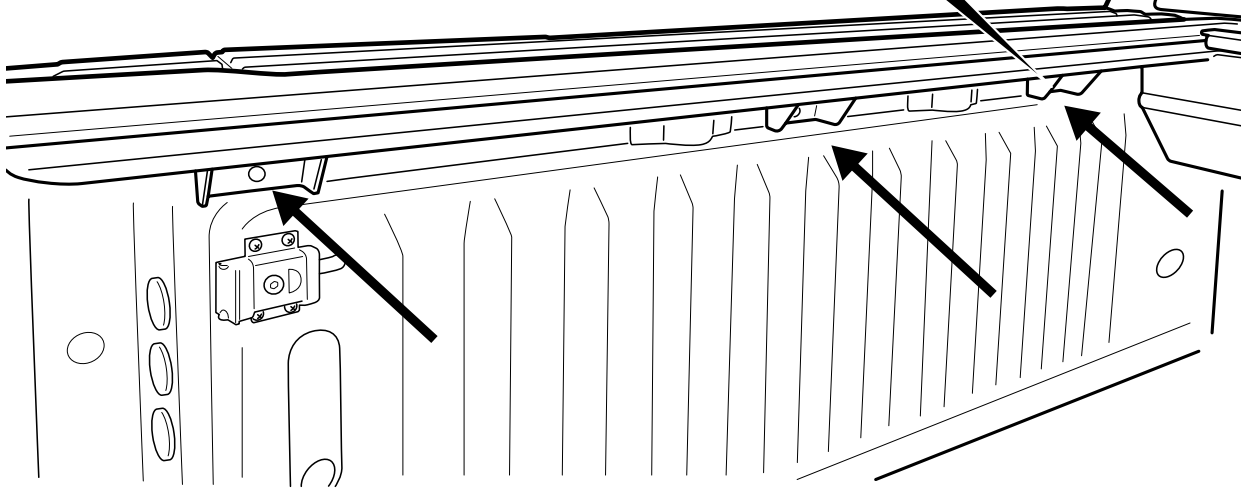
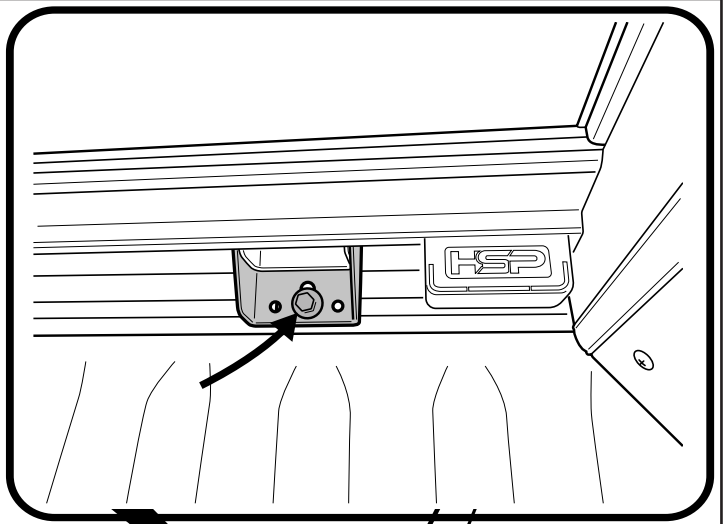
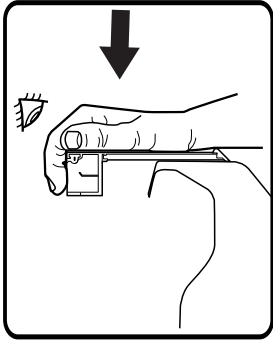
Foam compressed to 5mm when tailgate is closed.

Gap between tailgate and side-rail end cap to be 5mm.

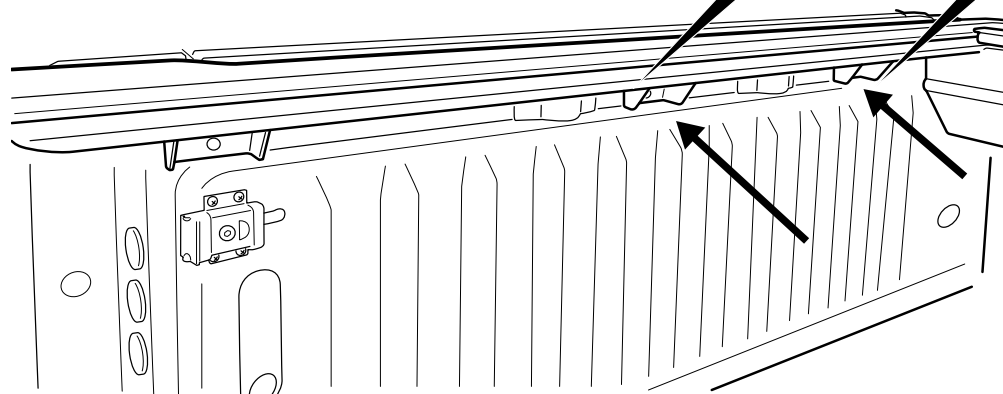
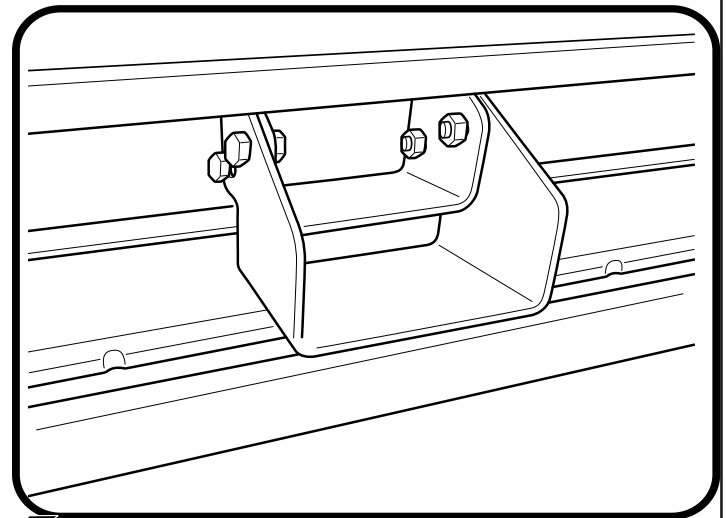
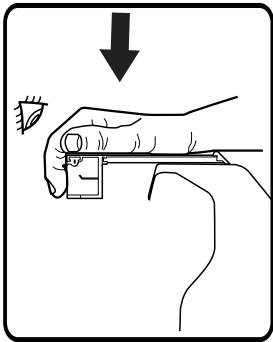


Foam compressed to 5mm when tailgate is closed.

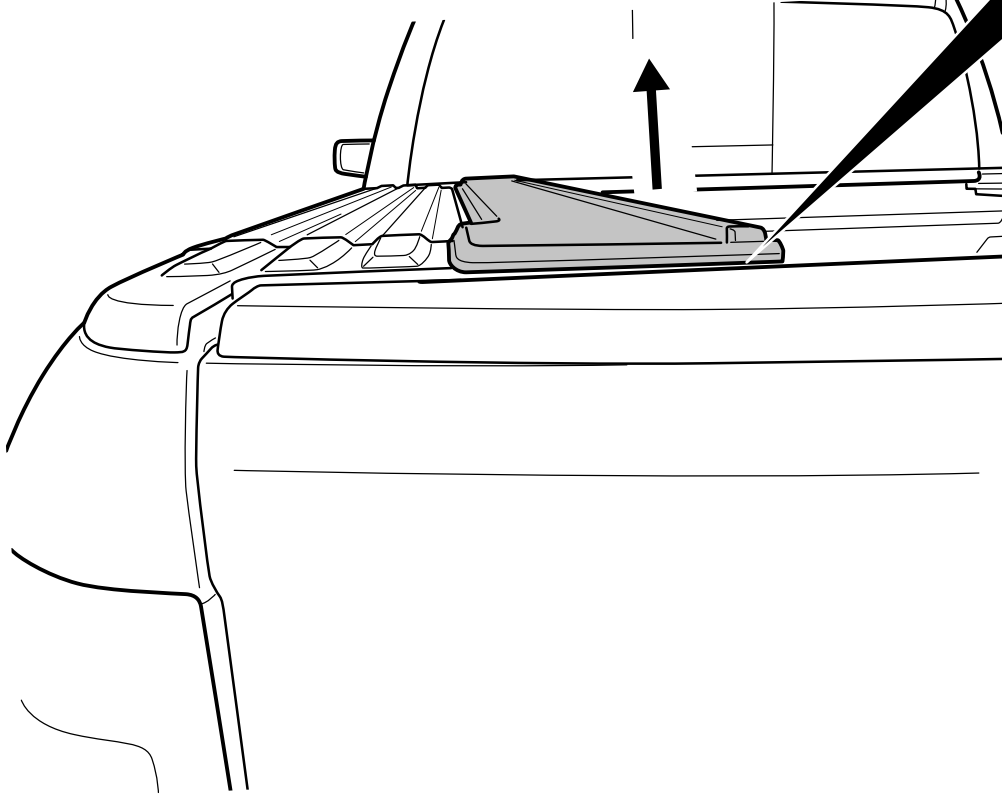
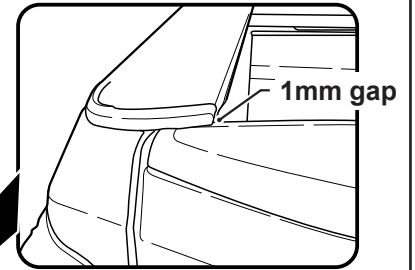
Apply pressure to side rail & fasten tight M8 bolt on all 3 clamp brackets as indicated. Repeat to the other side.



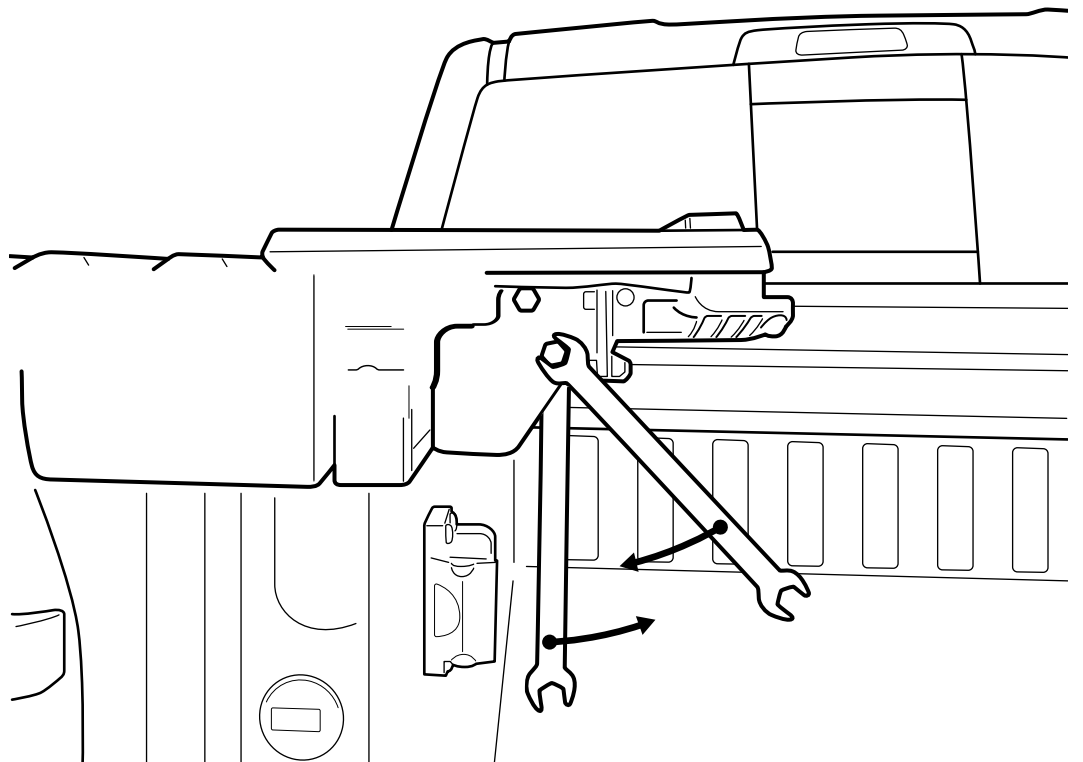
Apply pressure to side rail & fasten 4 x M6 bolt & nut on each of the front and center clamp brackets as indicated. Repeat to the other side.



With the tailgate closed, hold the side rail up, to allow the side rail seal to clear the tailgate by 1mm.



With the side rail held in position from previous step, fasten 4 x M6 bolt & nut on each of the rear clamp brackets. Repeat to the other side.



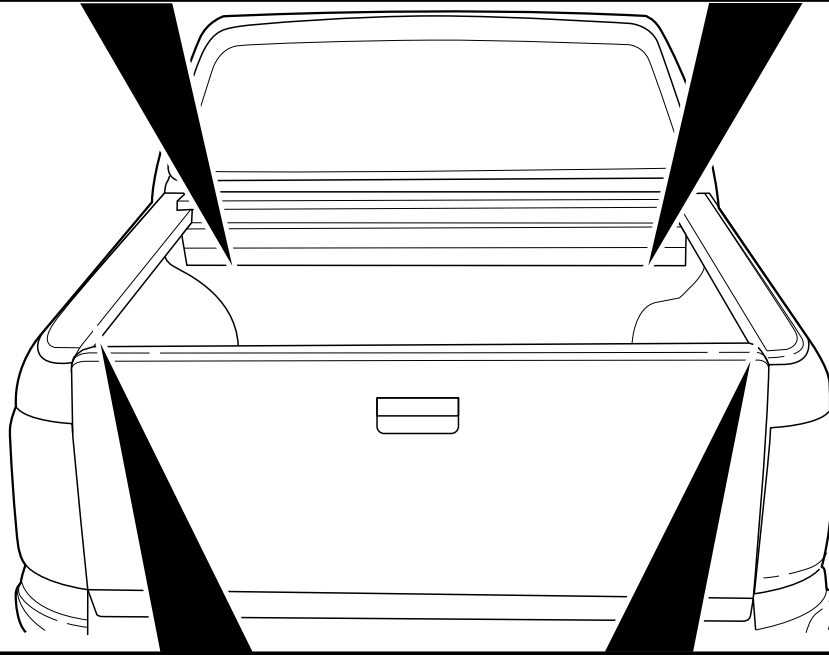
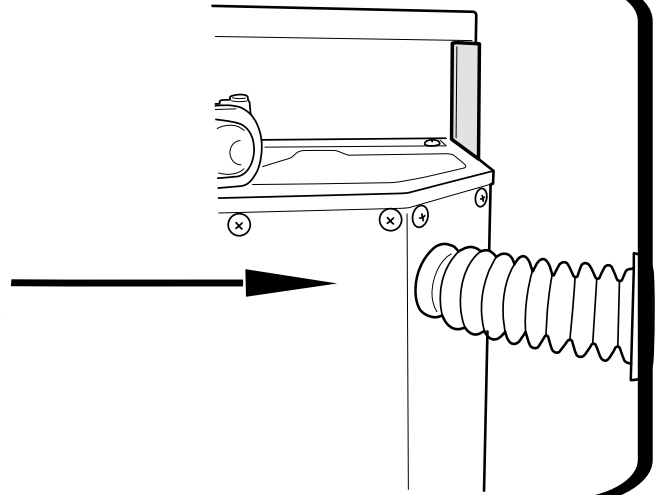
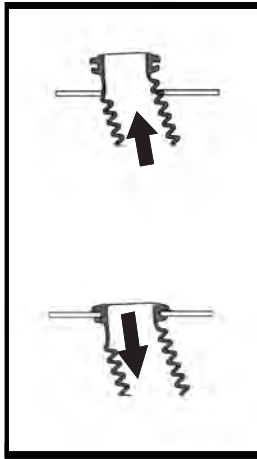
Install front drain pipes through pre-drilled holes of the canister. (RHS/LHS)



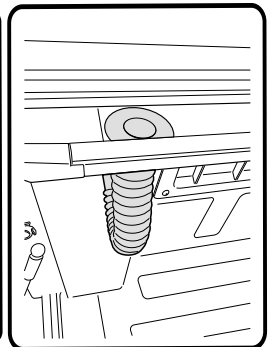
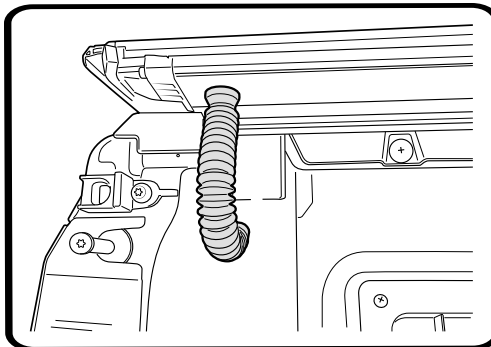
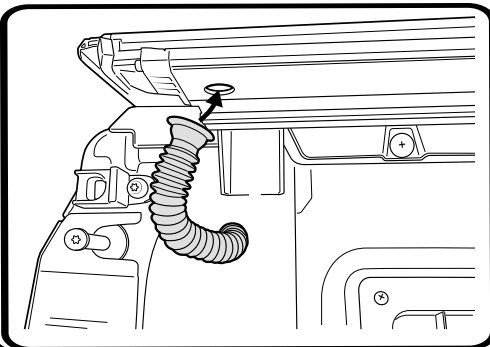
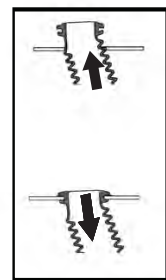
Note: With care push tube in. Gently pull the tube back so it seals correctly against the front panel of the tub.



 **VISUAL TIP**



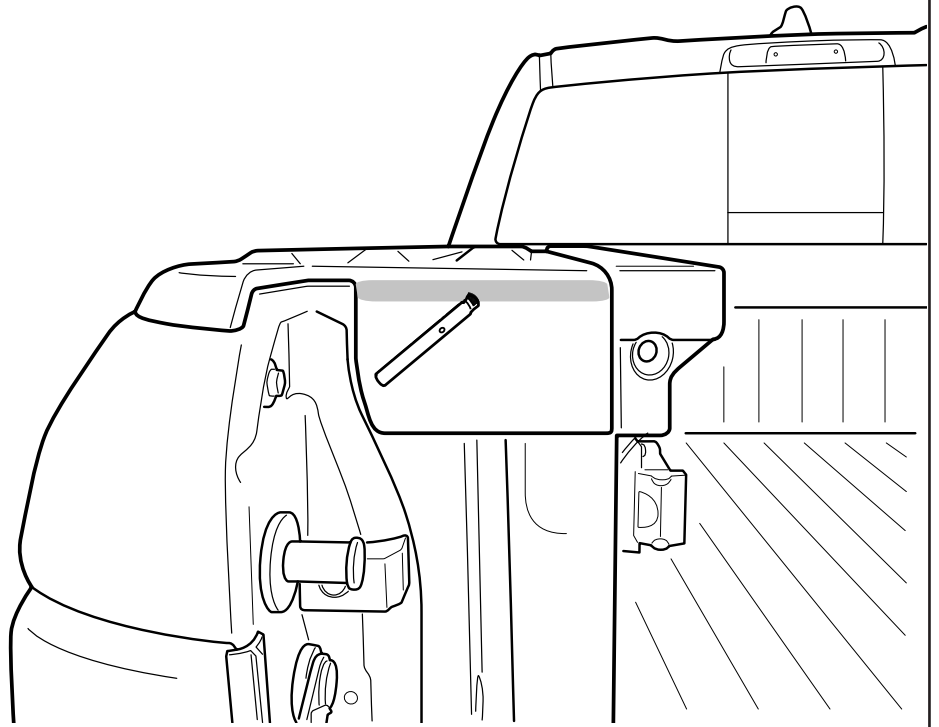
Note: With care push rear pipe in. Gently pull the pipe back so it seals correctly within the side rail channel.



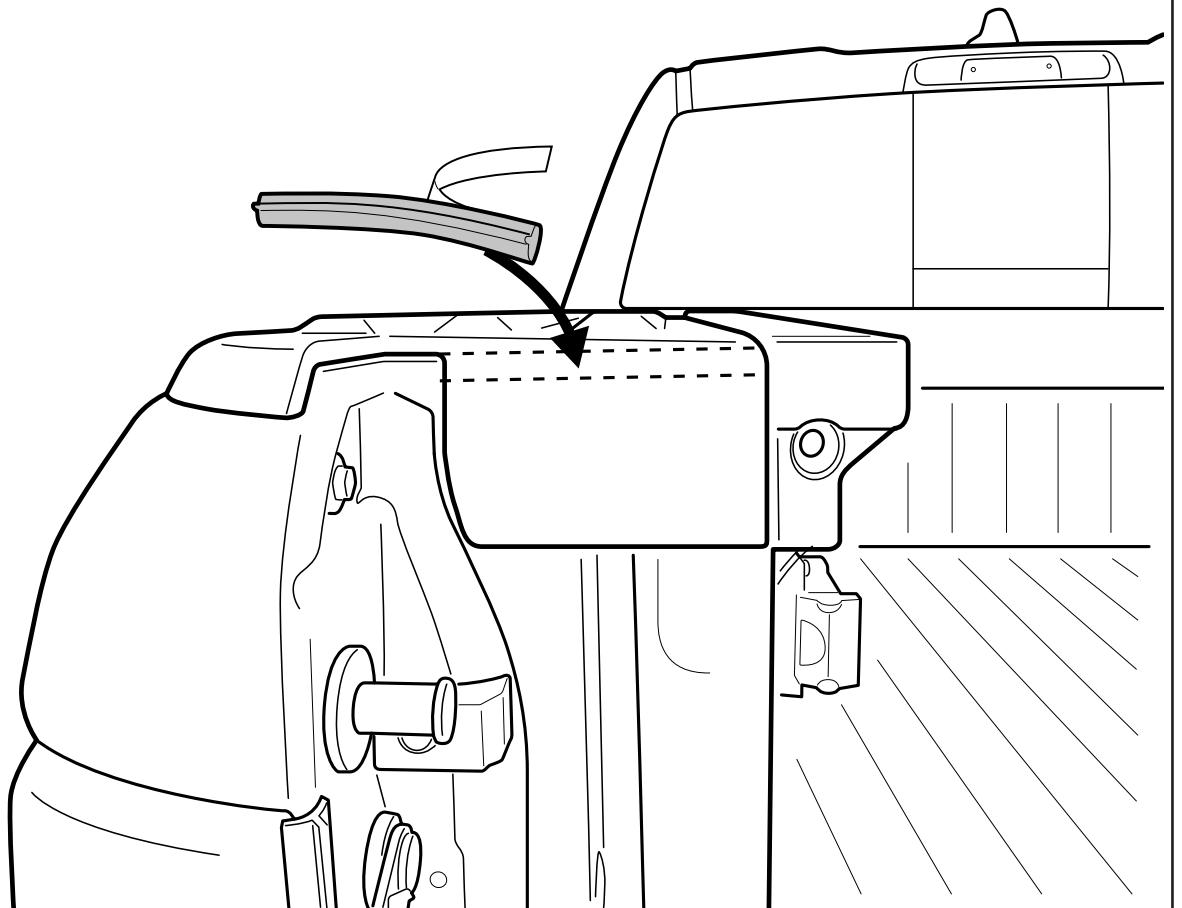
Install rear drain pipes through pre-drilled holes of the siderails. (RHS/LHS)

Passenger side (LHS) shown, repeat all steps to the other side.

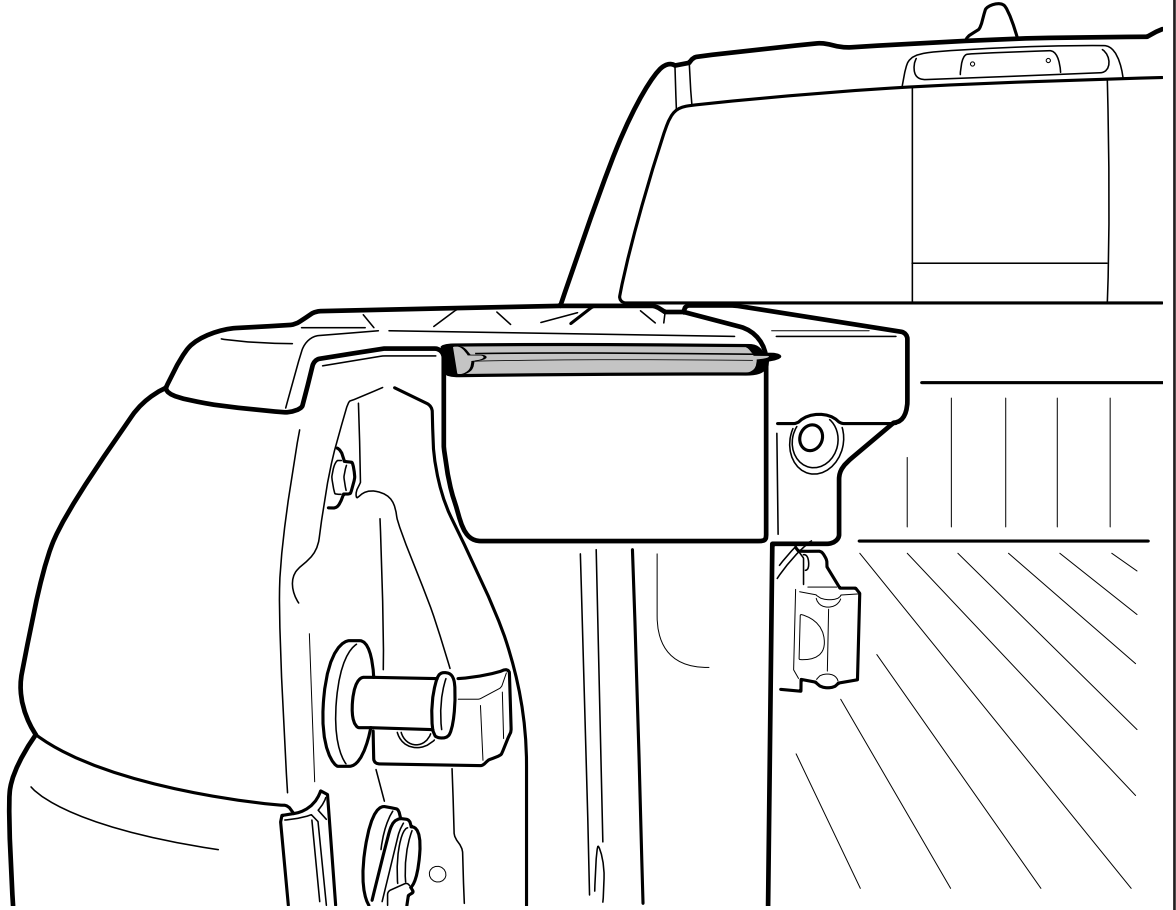
Apply 3M primer to the indicated area.



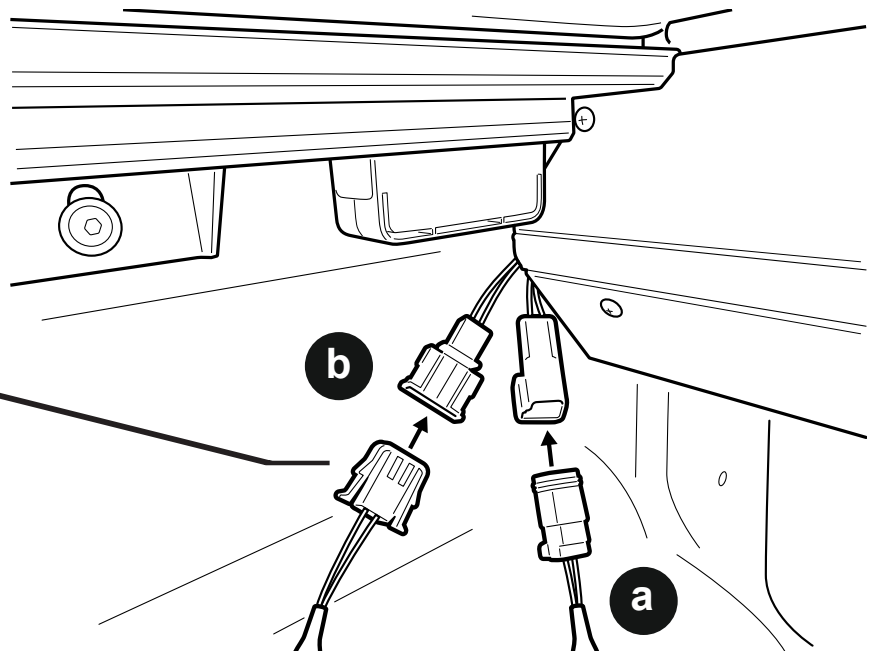
Apply D-mold foam tape to the indicated location in the orientation indicated.
NOTE: D-mold will sit on a slight angle as indicated,



Completed view.



- a. Connect Battery loom S2.75 to Receiver loom.
- b. **Carefully** connect CI-Loom-short to Receiver loom.



Align connectors carefully to avoid pushing pins out.



NOTE: 1. To wear in the Roll R Cover please fully open & close the cover approximately 15 times after install is complete.

2. Set your vehicle locking system to unlock all doors with one press of the factory remote unlock button. This setting can be found in your vehicle settings.

Operating instructions:

Press unlock on vehicle key fob to activate controller.

When vehicle is unlocked the side rail sensor buttons will be active to control.

When vehicle is locked the side rail sensor buttons will be inactive.

Using factory key fob to operate:

Pressing unlock twice on the factory key fob within 4 seconds, will activate the roll r cover to open.

Pressing lock twice on the factory key fob within 4 seconds, will activate the roll r cover to close.



Vehicle proximity:

Tapping the proximity twice to open or lock the car door will act exactly the same way as the key fob being pressed twice.

Touch & let go to open, touch & let go again to pause.

Touch & let go to close, touch & let go again to pause.

